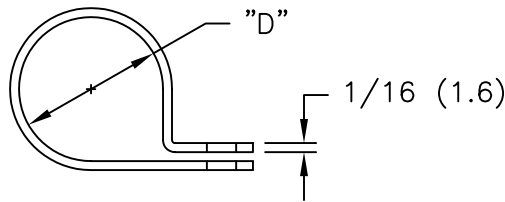
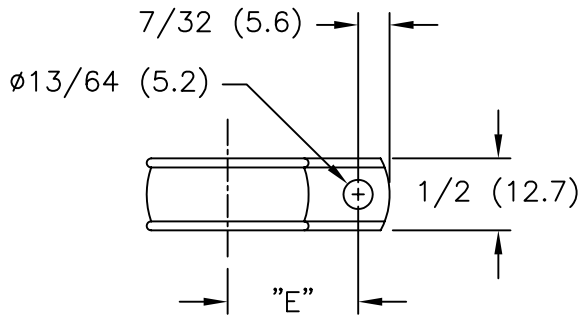


PART NO.		HOLDING DIA. "D"	"E" REF.
COLOR: CLEAR	COLOR: AMBER		
E2-CL	E2-AM	1/8 (3.2)	21/64 (8.3)
E3-CL	E3-AM	3/16 (4.8)	25/64 (9.9)
E4-CL	E4-AM	1/4 (6.4)	27/64 (10.7)
E5-CL	E5-AM	5/16 (7.9)	29/64 (11.5)
E6-CL	E6-AM	3/8 (9.5)	31/64 (12.3)
E7-CL	E7-AM	7/16 (11.1)	17/32 (13.5)
E8-CL	E8-AM	1/2 (12.7)	9/16 (14.3)
E9-CL	E9-AM	9/16 (14.3)	19/32 (15.0)
E9-1/2-CL	E9-1/2-AM	19/32 (15.0)	.62 (15.7)
E10-CL	E10-AM	5/8 (5.9)	5/8 (5.9)
E11-CL	E11-AM	11/16 (17.5)	21/32 (16.7)
E12-CL	E12-AM	3/4 (19.1)	49/64 (19.4)
E14-CL	E14-AM	7/8 (22.2)	13/16 (20.6)
E16-CL	E16-AM	1 (25.4)	29/32 (23.0)
E18-CL	E18-AM	1-1/8 (28.6)	31/32 (24.6)
E19-CL	E19-AM	1-3/16 (30.1)	1 (25.4)
E20-CL	E20-AM	1-1/4 (31.8)	1-1/16 (27.0)
E22-CL	E22-AM	1-3/8 (34.9)	1-3/64 (26.6)



NOTES:  
1. MATERIAL: PROPIONATE (RMS-12).

A	TABLE UPDATED	SM 02.18.02
REV	DESCRIPTION	ENGR DATE

TITLE: "E" CLAMPS



TOLERANCES UNLESS NOTED .XX=±.010 .XXX=±.005 FRAC=±1/64 ANG=±1°	FILE # E-CLAMPS	DWN: R.S	APP:	FINAL
	MAT'L: SEE NOTES	DT: 04-12-94	DT:	
RE: RICHCO, INC.	RICHCO INC. PO BOX 804238, CHICAGO, 60680 (773) 539-4060		PART # SEE TABLE	PRINT TYPE CA