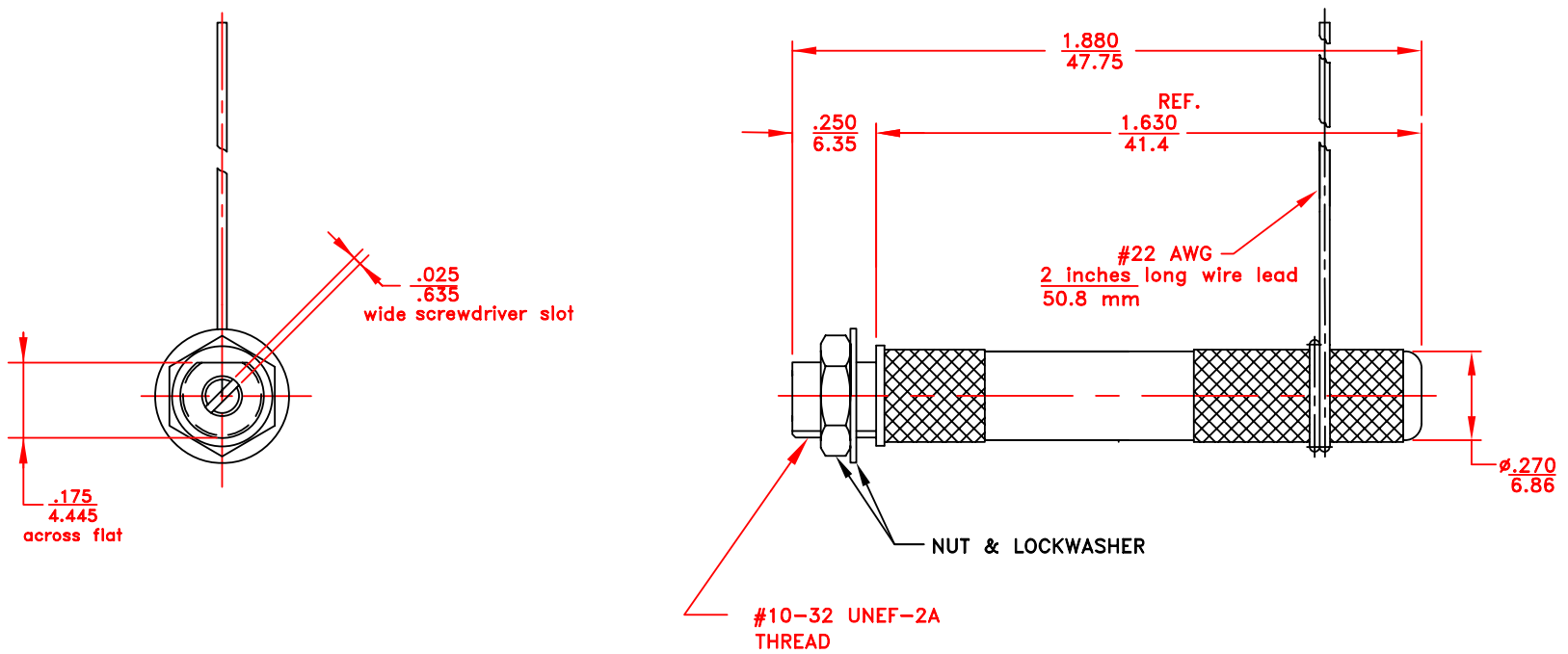


REV	DESCRIPTION	DATE	APP
00	NEW DRAWING	08/11/11	



- NOTES:
1. Capacitance: Cmax over 15pF
 2. Capacitance: Cmin less than 1.5 pF
 3. Working voltage: 6 kVDC
 4. Withstanding voltage: 12 kVDC
 5. Torque 1.0 to 5.0 oz-in
 6. Dimension: in/mm
 7. Construction: 40 psi sealed, non-magnetic
 8. Operating temperature : below -55°C to +125°C.
 9. Dimensions: in/mm
 10. Rotational life: 10,000 turns

TOLERANCES: (EXCEPT AS NOTED)		SPRAGUE GOODMAN ELECTRONICS INC. 1700 SHAMES DRIVE WESTBURY, NY 11590	
DECIMAL: ±0.002 In ±0.051 mm	MATERIAL:	SCALE: 2:1	DRAWN BY: R. LEVIN APPROVED: D. DITLYA
FRACTIONAL: 1/64	TITLE: SGNMNC1156	USED FOR:	
ANGULAR: 1°	DATE: 08/11/11	DRAWING NUMBER SGNMNC1156	REV. 00