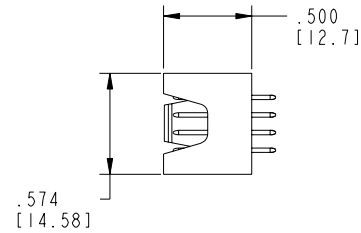
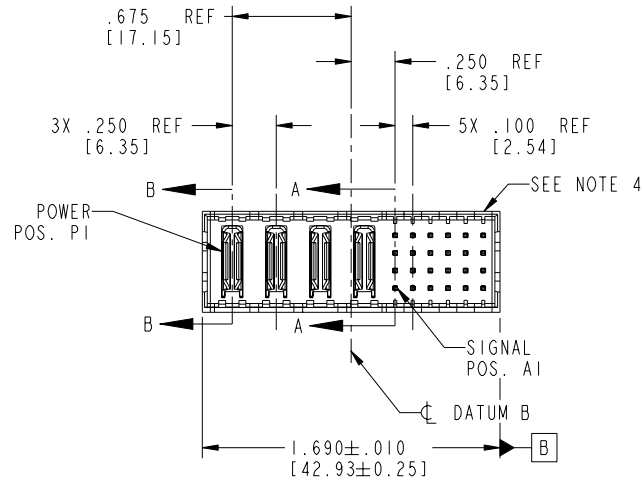


Tous droits strictement réservés. Reproduction ou communication a des tiers interdite sous quelque forme que ce soit sans autorisation écrite du propriétaire. Propriété de c FCI. Droits de reproduction FCI.

All rights strictly reserved. Reproduction or issue to third parties in any form whatever is not permitted without written authority from the proprietor. Property of FCI. Copyright FCI.

PRODUCT NO.	ROWS	POWER				SIGNAL					
		P1	P2	P3	P4	1	2	3	4	5	6
51716-001-- NOTE:3	D C B A	PA	PA	PA	PA	E	E	E	E	E	E
						E	E	E	E	E	E
						H	H	H	H	H	H



CODE	DIM "M" MATING LENGTH	CONTACT TYPE
E	.270 [6.86]	SIGNAL
H	.220 [5.59]	SIGNAL
PA	N/A [N/A]	POWER

mat'l code SEE NOTE 2				tolerances unless otherwise specified		CUSTOMER		 www.fciconnect.com	
ltr	ecn no.	dr	date	linear	projection	COPY		title	
A	V04-0843	TAB	08/17/04	.XX±.01/0.X±0.3				4P + 24S	
B	DG06-0011	CS	01/09/06	.XXX±.005/0.XX±0.13				VERTICAL SOLDER HEADER	
				.XXX±.002/0.XX±0.051	INCH/MM	product family		code	
				angles 0°±2°	scale	PwrBlade		213	
				dr T. BRUNGARD 08/17/04	1:1	size		sheet	
				enr M. GRAY 08/17/04		A		1 of 4	
				chr M. GRAY 08/17/04		51716-001			
				appd M. GRAY 08/17/04					
sheet index	revision	B	B	B	B				
	sheet	1	2	3	4				

cage code 22526 4

PDM: Rev:B

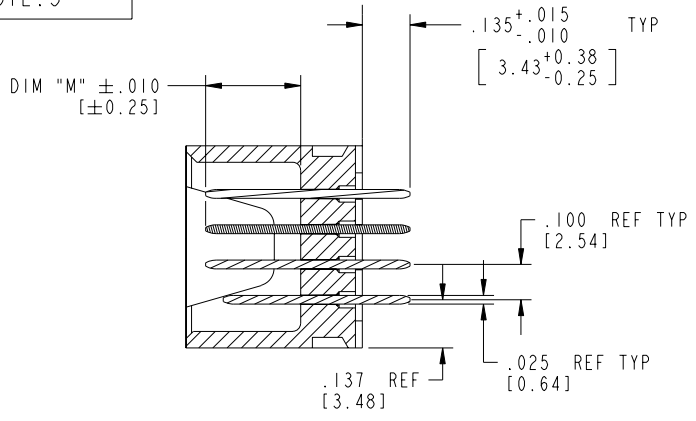
STATUS Released

Printed: Oct 08, 2006

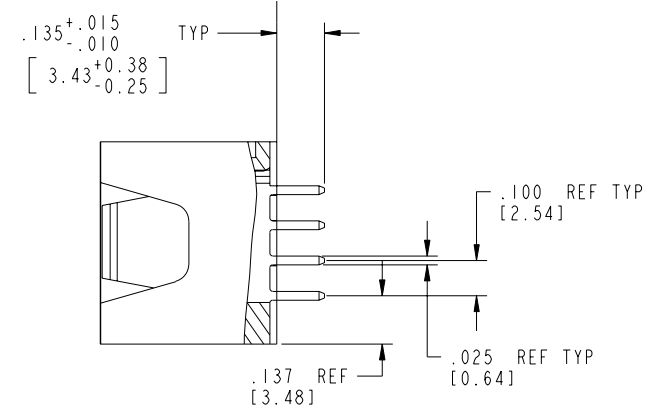
Tous droits strictement réservés. Reproduction ou communication a des tiers interdite sous quelque forme que ce soit sans autorisation écrite du propriétaire. Propriété de c FCI. Droits de reproduction FCI.

All rights strictly reserved. Reproduction or issue to third parties in any form whatever is not permitted without written authority from the proprietor. Property of FCI. Copyright FCI.

PRODUCT NUMBER
51716-001__
NOTE: 3



SECTION A-A
SCALE 2:1



SECTION B-B
SCALE 2:1

FCI

mat'l code				SEE NOTE 2				tolerances unless otherwise specified				CUSTOMER				FCI www.fciconnect.com			
ltr		ecn no.		dr		date		linear		.XX±.01/0.XX±0.3		projection		title		4P + 24S		code	
B								angles		.XXX±.005/0.XX±0.13		INCH/MM		VERTICAL SOLDER HEADER		product family		PwrBlade	
								dr		.XXX±.0020/0.XXX±0.051		scale		A		size		213	
								engr		0° ± 2°		1:1		51716-001		sheet		2 of 4	
								chr		T. BRUNGARD 08/17/04									
								appd		M. GRAY 08/17/04									
sheet index		revision sheet								M. GRAY 08/17/04									

cage code 22526

Pro/E

PDM: Rev:B

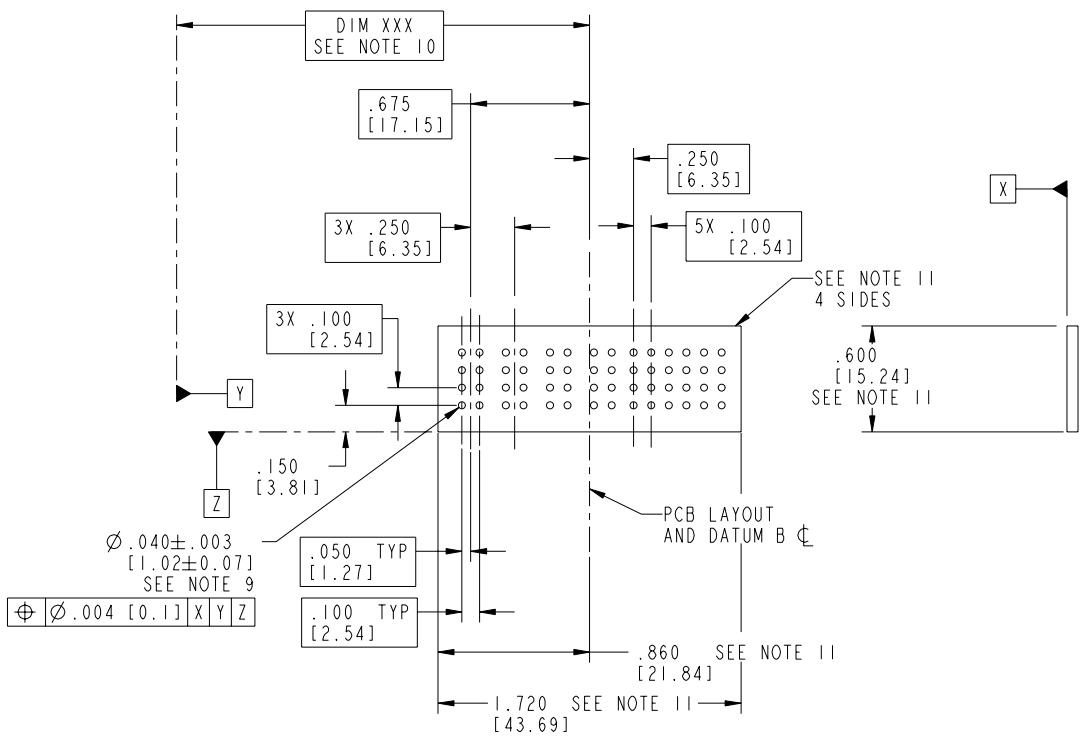
STATUS Released

Printed: Oct 08, 2006

Tous droits strictement réservés. Reproduction ou communication à des tiers interdite sous quelque forme que ce soit sans autorisation écrite du propriétaire. Propriété de c FCI. Droits de reproduction FCI.

All rights strictly reserved. Reproduction or issue to third parties in any form whatever is not permitted without written authority from the proprietor. Property of FCI. Copyright FCI.

PRODUCT NUMBER
51716-001__
NOTE: 3



mat'l code				SEE NOTE 2		tolerances unless otherwise specified		CUSTOMER		 www.fciconnect.com	
ltr	ecn no.	dr	date	linear	.XX±.01/0.X±0.3	COPY		projection		title	
B				angles	.XXX±.005/0.XX±0.13					4P + 24S	
				dr	.XXX±.0020/0.XXX±0.051					VERTICAL SOLDER HEADER	
				enr	0°±2°	T. BRUNGARD 08/17/04		INCH/MM		product family	
				chr		M. GRAY 08/17/04		1:1		PwrBlade	
				appd		M. GRAY 08/17/04				code	
sheet index		revision sheet								213	
										3 of 4	

cage code 22526 4

Tous droits strictement réservés. Reproduction ou communication à des tiers interdite sous quelque forme que ce soit sans autorisation écrite du propriétaire. Propriété de c FCI. Droits de reproduction FCI.

All rights strictly reserved. Reproduction or issue to third parties in any form whatever is not permitted without written authority from the proprietor. Property of FCI. Copyright FCI.

PRODUCT NUMBER
51716-001--
NOTE: 3

NOTES:

1. DIMENSIONS AND TOLERANCES ARE IN ACCORDANCE WITH ASME Y14.5M, 1994 UNLESS OTHERWISE SPECIFIED.

CONNECTOR NOTES:

2 HOUSING MATERIAL: UL 94 V-0 GLASS FILLED
HIGH-TEMP THERMOPLASTIC
POWER CONTACT MATERIAL: COPPER ALLOY
SIGNAL PIN MATERIAL: COPPER ALLOY

3. PLATING:

51716-001,51716-001LF,PLATING SPEC SEE PRINT:100064183.

4 MANUFACTURER'S NAME, P/N, AND DATE CODE TO APPEAR ON THIS SURFACE.

5. PRODUCT SPECIFICATION GS-12-149.
APPLICATION SPECIFICATION BUS-20-067.

6. PACKAGED IN TRAYS.

PCB NOTES:


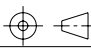

7. ALL HOLE DIAMETERS ARE FINISHED HOLE SIZE.

8. MOUNTING HOLES, WHERE APPLICABLE, ARE UNPLATED.

9 $\varnothing .0453 \pm .0010$ [1.151 \pm 0.025] DRILLED HOLES PLATED WITH .0003 [0.008] MIN SnPb OVER .001 [0.03] TO .003 [0.08] Cu PLATING TO ACHIEVE $\varnothing .040 \pm .003$ [1.02 \pm .07] HOLE.

10 "DIM XXX" TO BE DETERMINED BY THE CUSTOMER.

11 CONNECTOR KEEP-OUT ZONE.

mat'l code				SEE NOTE 2		tolerances unless otherwise specified		CUSTOMER		 www.fciconnect.com	
ltr	ecn no.	dr	date	linear	.XX±.01/0.X±0.3	projection		COPY		title	
B					.XXX±.005/0.XX±0.13			INCH/MM		4P + 24S	
				angles	XXXX±.0020/0.XXX±0.051			A		VERTICAL SOLDER HEADER	
				dr	0±2°	T. BRUNGARD 08/17/04		product family		code	
				enr		M. GRAY 08/17/04		PwrBlade		213	
				chr		M. GRAY 08/17/04		size		sheet	
				appd		M. GRAY 08/17/04		A		4 of 4	
sheet index		revision sheet		scale		1:1		51716-001			

cage code 22526 4