

CHARACTERISSTICS MATERIALS

HOUSING : BRASS
 HOUSING PLATING : 196µ" NICKEL MIN.
 SHELL & COLLET NUT: BRASS, 196µ" CHROME PLATED MIN.
 CONTACTS : COPPER ALLOY
 CONTACT PLATING : 7µ" GOLD PLATED OVER 196µ" NICKEL MIN.
 INSULATOR : PPS (HIGH TEMPERATURE)
 STRAIN RELIEF (BOOT) : THERMOPLASTIC POLYURETHANE
 O-RING: SILICONE

MECHANICAL

DURABILITY: 5000 CYCLES
 OPERATING TEMP. RANGE: -40° C ~ +200° C
 PROCESS TEMPERATURE : 260°C FOR 5 SECONDS
 MAX. TOURQUE VALUE : 0.7 Nm [6.0 IN/LBS]
 SHIELDING: 75dB @ 10MHz
 40dB @ 1GHz

IP RATING: 67

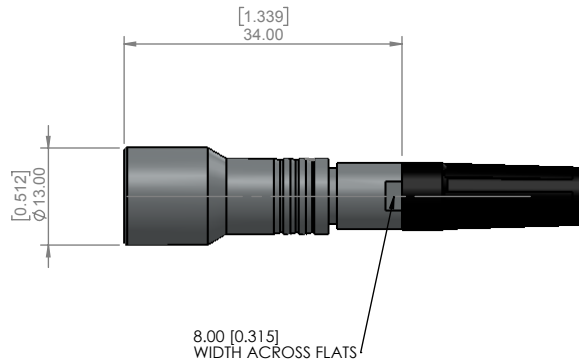


CHART B

COLLET SIZE	WIRE DIAMETER
30	2.50 [0.098] ~ 3.20 [0.126]
40	3.30 [0.130] ~ 4.20 [0.165]
50	4.30 [0.169] ~ 5.20 [0.205]

CHART A

● = KEY LOCATION

VIEW FROM TERMINATION END

 2 POSITION 22 AWG MAX. 10 AMP MAX. PIN Ø = 0.90 [0.035] CONTACT RESISTANCE = 6 mΩ TEST VOLTAGE = 1300V WORKING VOLTAGE = 430V	 3 POSITION 22 AWG MAX. 8 AMP MAX. PIN Ø = 0.90 [0.035] CONTACT RESISTANCE = 6 mΩ TEST VOLTAGE = 1200V WORKING VOLTAGE = 400V	 4 POSITION 24 AWG MAX. 7 AMP MAX. PIN Ø = 0.70 [0.028] CONTACT RESISTANCE = 7.5 mΩ TEST VOLTAGE = 850V WORKING VOLTAGE = 280V	 5 POSITION 24 AWG MAX. 6.5 AMP MAX. PIN Ø = 0.70 [0.028] CONTACT RESISTANCE = 7.5 mΩ TEST VOLTAGE = 850V WORKING VOLTAGE = 280V	 6 POSITION 28 AWG MAX. 2.5 AMP MAX. PIN Ø = 0.50 [0.020] CONTACT RESISTANCE = 10 mΩ TEST VOLTAGE = 850V WORKING VOLTAGE = 280V	 7 POSITION 28 AWG MAX. 2.5 AMP MAX. PIN Ø = 0.50 [0.020] CONTACT RESISTANCE = 10 mΩ TEST VOLTAGE = 800V WORKING VOLTAGE = 260V	 9 POSITION 28 AWG MAX. 2 AMP MAX. PIN Ø = 0.50 [0.020] CONTACT RESISTANCE = 10 mΩ TEST VOLTAGE = 600V WORKING VOLTAGE = 200V
---	--	---	---	--	--	--

RoHS COMPLIANT



THESE DRAWINGS AND SPECIFICATIONS ARE THE PROPERTY OF NorComp AND SHALL NOT BE REPRODUCED, COPIED OR USED AS THE BASIS FOR THE MANUFACTURE OR SALE OF APPARATUS WITHOUT WRITTEN PERMISSION.

NorComp

DRAWN: M. SIGMON	DATE: 02-19-16	SCALE: N.T.S.	SHEET 1	OF 1	REV: 5
CHECKED:	DATE:		DWG NO. 820KYYY-273LYY1		