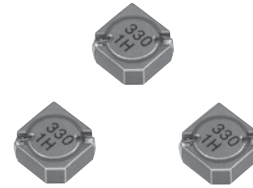


Power Inductors / Wire Wound type

Series : **P**
Type : **ELL8TP**



Features

- Magnetic shielded structure
- Low DC resistance and large current capability
- Available on tape and reel for automatic insertion
- RoHS compliant

Recommended Applications

- Audiovisual equipment, Appliance, Office automation equipment, Amusement machine, Power circuit for electric device

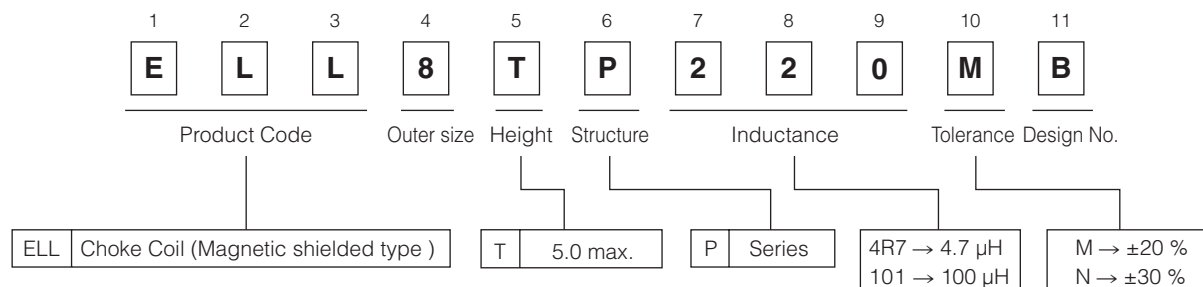
Standard Packing Quantity

- 500 pcs./reel

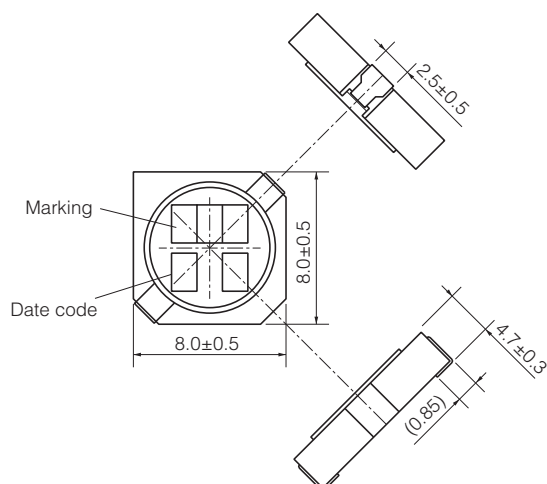
As for Soldering Conditions and Safety Precautions,

Please see Data Files

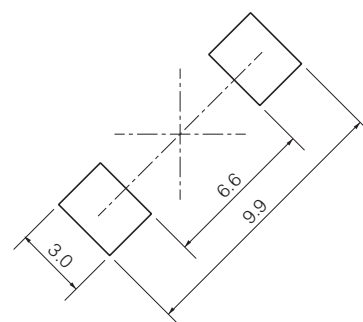
Explanation of Part Numbers



Dimensions in mm (not to scale)



Recommended land patterns in mm (not to scale)



Standard Parts

| Part No. | Inductance (100 kHz) | | R _{DC} (at 20 °C) | | Saturation Rated Current* ¹ (mA max.) | Temperature Rise Current* ² (mA max.) | Marking |
|-------------|-------------------------|-------|-------------------------------|-------|--|--|---------|
| | (μH) | Tol. | (mΩ) | Tol. | | | |
| ELL8TPR80NB | 0.8 | ±30 % | 3.6 | ±30 % | 9500 | 9000 | R80 |
| ELL8TP1R2NB | 1.2 | | 4.7 | | 8500 | 8000 | 1R2 |
| ELL8TP2R5NB | 2.5 | | 7 | | 5500 | 6500 | 2R5 |
| ELL8TP3R3NB | 3.3 | | 13 | | 5000 | 4200 | 3R3 |
| ELL8TP4R7NB | 4.7 | | 14 | | 4000 | 4000 | 4R7 |
| ELL8TP6R8NB | 6.8 | | 18 | | 3500 | 3500 | 6R8 |
| ELL8TP100MB | 10.0 | ±20 % | 25 | ±20 % | 3000 | 3000 | 100 |
| ELL8TP150MB | 15.0 | | 44 | | 2300 | 2300 | 150 |
| ELL8TP220MB | 22.0 | | 55 | | 2200 | 2000 | 220 |
| ELL8TP330MB | 33.0 | | 84 | | 1600 | 1600 | 330 |
| ELL8TP470MB | 47.0 | | 100 | | 1400 | 1500 | 470 |
| ELL8TP680MB | 68.0 | | 140 | | 1000 | 1300 | 680 |
| ELL8TP101MB | 100.0 | | 190 | | 900 | 1100 | 101 |
| ELL8TP151MB | 150.0 | | 340 | | 700 | 800 | 151 |
| ELL8TP221MB | 220.0 | | 480 | | 550 | 700 | 221 |
| ELL8TP331MB | 330.0 | | 700 | | 450 | 570 | 331 |
| ELL8TP471MB | 470.0 | | 1000 | | 400 | 480 | 471 |
| ELL8TP681MB | 680.0 | | 1300 | | 300 | 430 | 681 |
| ELL8TP102MB | 1000.0 | | 2100 | | 250 | 330 | 102 |

*1 Saturation Rated Current : This DC current which causes a 30% inductance reduction from its nominal value.

*2 Temperature Rise Current : This indicates the value of current when temperature rise dt/t= 40 °C (at 20 °C).

Embossed Carrier Tape Dimensions in mm (not to scale)

