

# ZMOD4410 Product Snapshot

## Metal Oxide Gas Sensor for TVOC Detection

### Features

- Proven MOx material
- Calibration with gas
- Flexible architecture
- Correlates German committee on indoor air quality guidelines (UBA study)
- Miniature package 3 x 3 x 0.7 mm
- Power consumption of <14 mW in continuous operation
- Digital (I<sup>2</sup>C) output

### Benefits

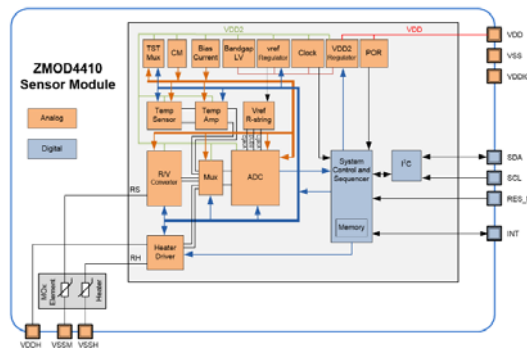
- Leading high sensitivity and long term stability
- Part-to-part consistency
- Calibrated sensor allows easy and fast system integration
- Enables customers to release additional product families via s/w changes
- International accepted definition of Indoor Air Quality (IAQ)
- Reduced end product size

### Applications

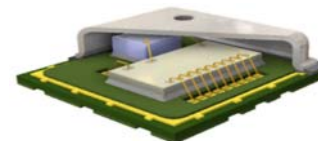
- HVAC systems
- Air purifiers
- Smart thermostats
- Smart speakers
- Bathroom fans
- Kitchen exhaust hoods
- Smart outlets and receptacles

## Highly Sensitive and Reliable Indoor Air Quality Detection

### Block Diagram



### Silicon-based Digital Gas Sensor Platform



### Small Package Size 3 x 3 mm

