

**PLEASE CHECK WWW.MOLEX.COM FOR LATEST PART INFORMATION**

**Part Number:** [63806-0800](#)  
**Status:** **Active**  
**Description:** Mini-Mac™ Applicator Rear Feed

**Documents:**  
[RoHS Certificate of Compliance \(PDF\)](#)

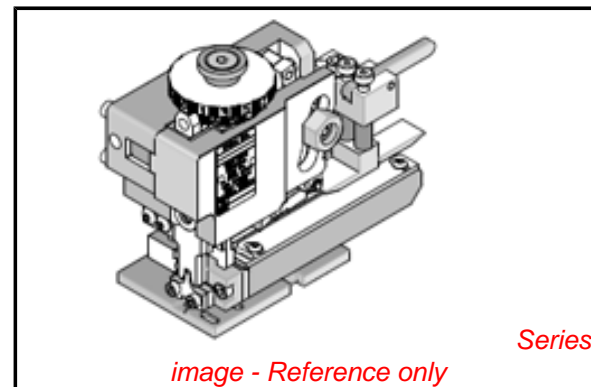
**General**

Product Family	Application Tooling
Series	<a href="#">T1101</a>
Function	Crimp
Geographic Area	Global
Level of Automation	Semi-Automatic
More Detailed Tech Information	<a href="mailto:applicationtooling@molex.com">applicationtooling@molex.com</a>
Product Name	Mini-Mac™
Survey	<a href="http://www.molex.com//review/apptool_survey.html">www.molex.com//review/apptool_survey.html</a>
Tool Type	Applicator
UPC	884982359697

**Material Info**

**Reference - Drawing Numbers**

Application Tooling Documents	ATS-638060800, TM-638800000, TM-638800000SP, TM-640160065, TM-640160065CN, TM-640160065DE, TM-640160065FR, TM-640160065IT, TM-640160065JP, TM-640160065KR, TM-640160065MY, TM-640160065PL, TM-640160065RU, TM-640160065SK, TM-640160065SP, TM-640160065TH, TM-640160065TW, TM-640160065VN
-------------------------------	---



*image - Reference only*

<b>EU RoHS</b>	<b>China RoHS</b>
----------------	-------------------

**Compliance Status**

**Not Reviewed**

**REACH SVHC**

**Not Reviewed**

**Low-Halogen Status**

**Not Reviewed**

**Need more information on product environmental compliance?**

Email [productcompliance@molex.com](mailto:productcompliance@molex.com)  
 For a multiple part number RoHS Certificate of Compliance, [click here](#)

Please visit the [Contact Us](#) section for any non-product compliance questions.

**Search Parts in this Series**

[T1101Series](#)

**Use With**

Molex TM-2000™, [63800-8300](#) , most Industry Standard Presses, or Wire Process Machines, Quick Disconnect, Safelock Female 18-22 AWG [94506](#) , [94512](#) , [94513](#)

<b>Application Tooling Description</b>	<b>FAQ Product #</b>
--	----------------------

Quick Disconnect, High Reliability Terminal (HRT), Female for (0.50-1.00mm <sup>2</sup> ) 18-24 AWG Wire, Accepts 6.30 x 0.81mm Tab	0945120111
Quick Disconnect, Female for (0.50-1.00mm <sup>2</sup> ) 18-24 AWG Wire, Accepts 6.35 x	0945130100

0.81mm Tab, Unplated Quick Disconnect, Female for (0.50-1.00mm <sup>2</sup> ) 18-24 AWG Wire, Accepts 6.35 x	0945130101
0.81mm Tab, Tin Quick Disconnect, Safelock Female for (0.50-1.00mm <sup>2</sup> ) 18-24 AWG Wire, Accepts 6.35 x	0945060101
0.81mm Tab, Tin Quick Disconnect, High Reliability Terminal (HRT), Female for (0.50-1.00mm <sup>2</sup> ) 18-24 AWG Wire, Accepts 6.35 x	0945120100
0.81mm Tab , Unplated Quick Disconnect, High Reliability Terminal (HRT), Female for (0.50-1.00mm <sup>2</sup> ) 18-24 AWG Wire, Accepts 6.35 x	0945120101
0.81mm Tab Quick Disconnect, Safelock Female for (0.50-1.00mm <sup>2</sup> ) 18-24 AWG Wire, Accepts 6.35 x	0945060100
0.81mm Tab, Unplated	

This document was generated on 03/08/2013

**PLEASE CHECK [WWW.MOLEX.COM](http://WWW.MOLEX.COM) FOR LATEST PART INFORMATION**