

NOTES:

1. MATERIALS AND FINISHES:

- BODY - STAINLESS STEEL, GOLD PLATED (.000030 MIN) OVER NICKEL (.000100 MIN).
- COUPLING NUT - STAINLESS STEEL, PASSIVATED
- CONTACT - BeCu, GOLD PLATED (.000030 MIN) OVER NICKEL (.000080 MIN).
- INSULATOR - PTFE, NATURAL
- GASKET - SILICONE RUBBER, RED
- RETAINING RING - SUS 304, NATURAL

2. ELECTRICAL:

- A. IMPEDANCE: 50 OHM
- B. FREQUENCY RANGE: DC - 18 GHz
- C. VSWR: 1.05 +.005f (GHz), MAX.
- D. D.W.V: 1000 VRMS, MIN.

3. MECHANICAL:

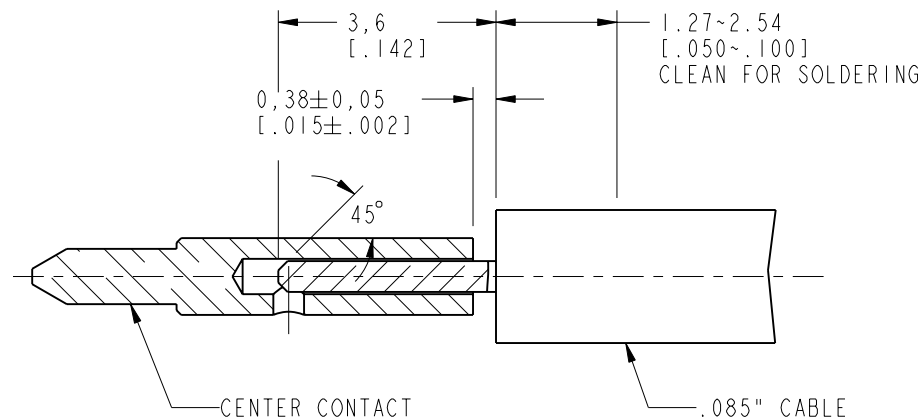
- A. DURABILITY: 500 CYCLES MIN.
- B. TEMPERATURE RANGE: -65°C TO +165°C

4. PACKAGE CONNECTOR IN ANTI-STATIC BAG 999-226.  
MARK BAG: AMPHENOL, 901-9201-2ASF-T, DATE CODE, AND WORK ORDER NUMBER

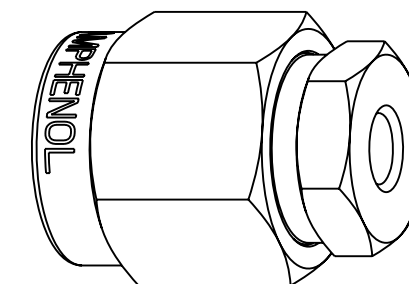
THIRD ANGLE PROJ.

REVISIONS

REV	DESCRIPTION	DATE	ECO	APPR
A	RELEASE TO MFG.	07-Nov-15	50853	BCG

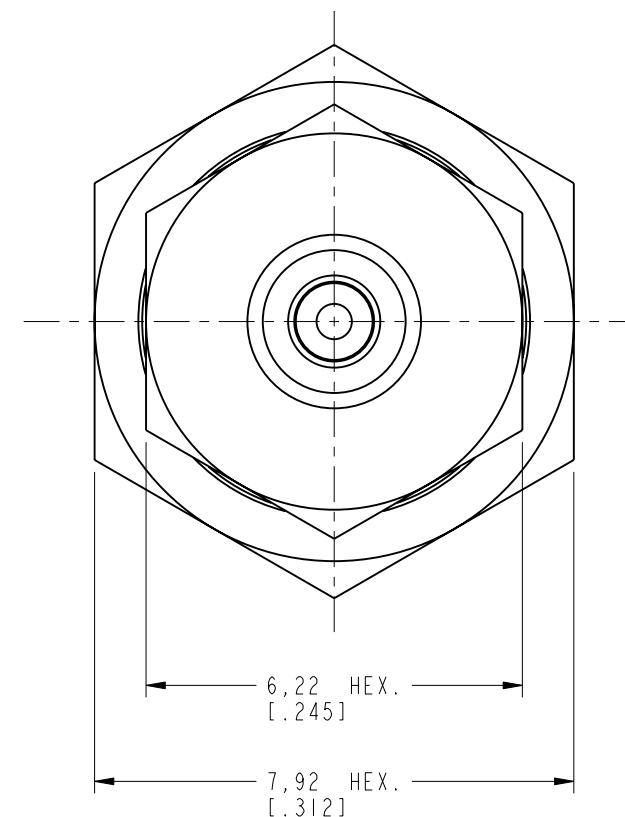
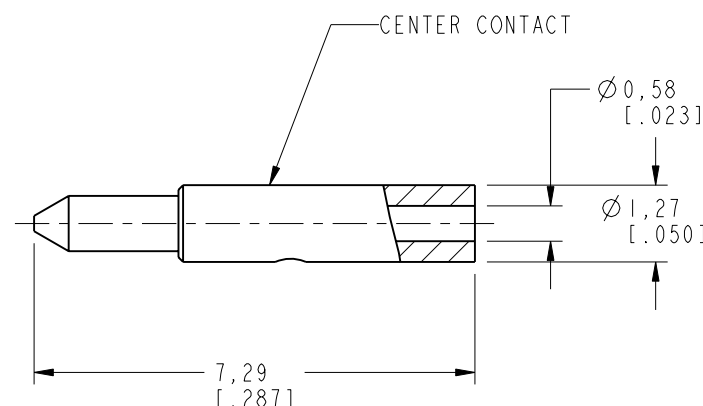
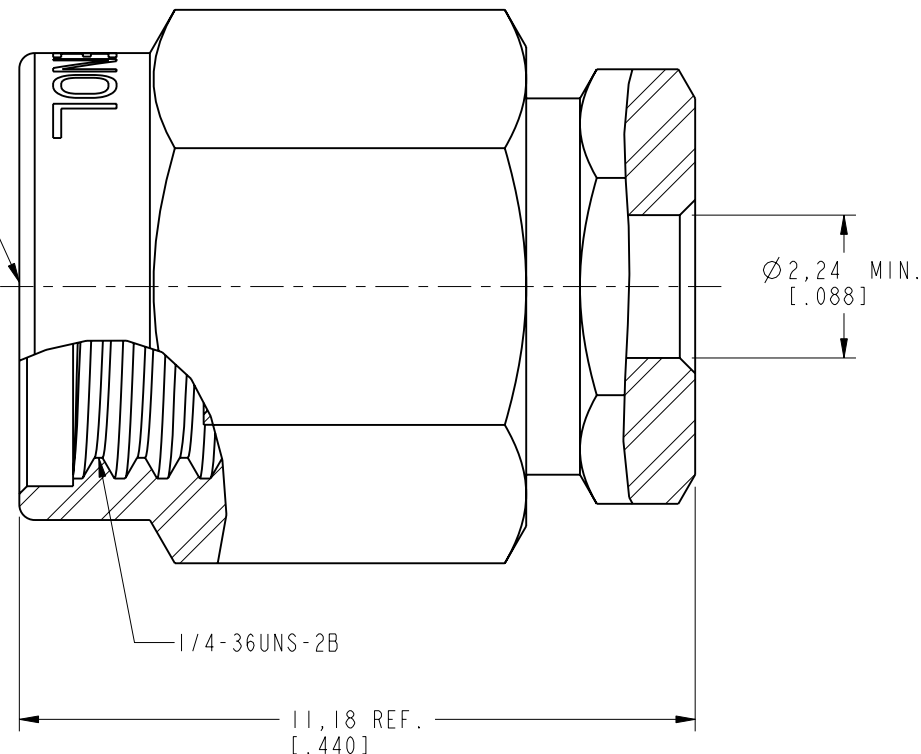


RECOMMENDED CABLE STRIPPING DIM'S



SCALE 4.000

INTERFACE PER  
MIL-STD-348  
SERIES: SMA PLUG



**CUSTOMER OUTLINE DRAWING**

ALL OTHER SHEETS ARE FOR INTERNAL USE ONLY

<p>UNLESS OTHERWISE SPECIFIED, DIMENSIONS ARE IN METRIC AND TOLERANCES ARE:                  &lt;0.5mm ±0.05mm    0.5 - 6mm ±0.1mm    6 - 30mm ±0.2mm    30 - 120mm ±0.3mm    ANGLES ±1°</p>	MATERIAL	DRAWN M. ZHANG	DATE 07-Nov-15	<p>TITLE SMA SOLDER PLUG, WITH ANTI-TORQUE BODY (FOR .085 SEMI-RIGID CABLE)</p>	<p>Amphenol RF www.amphenolrf.com</p>
	REFERENCE EAR# 6826 AND 901-9201-2ASF	ENGINEER B.C. GLEISSNER	DATE 17-Jul-15		
<p>NOTICE - These drawings, specifications, or other data (1) are, and remain the property of Amphenol corp. (2) must be returned upon request; and (3) are confidential and not to be disclosed to any person other than those to whom they are given by Amphenol Corp. the furnishing of these drawings, specifications, or other data by Amphenol Corp., or to any other person to anyone for any purpose is not to be regarded by implication or otherwise in any manner licensing, granting rights to permitting such holder or any other person to manufacture, use or sell any product, process or design, patented or otherwise, that may in any way be related to or disclosed by said drawings, specifications, or other data.</p>	CONFIGURATION LEVEL:	APPROVED S. HSIEH	DATE 07-Nov-15	<p>SCALE: 8.0:1.0    SHEET 2 OF 2</p>	<p>ITEM NO. 901-9201-2ASF-T</p>
	FINISH	CAD FILE	DWG SIZE B	REV A	<p>PART NO. 901-9201-2ASF-T</p>