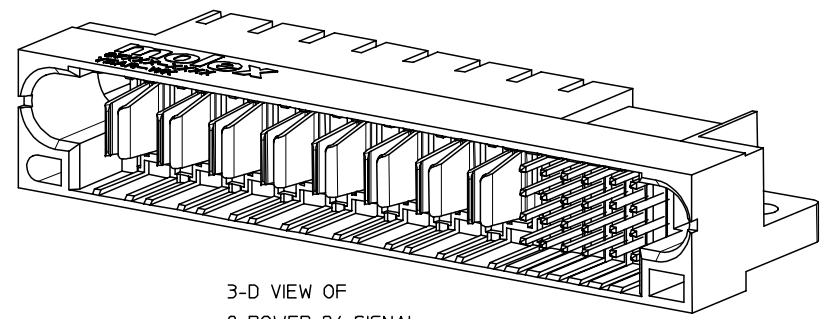
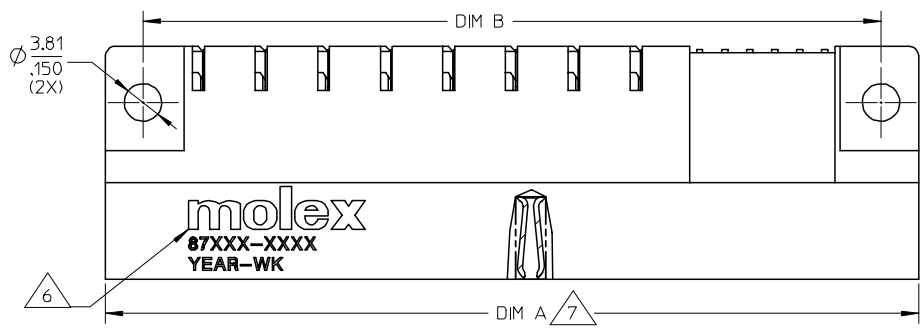
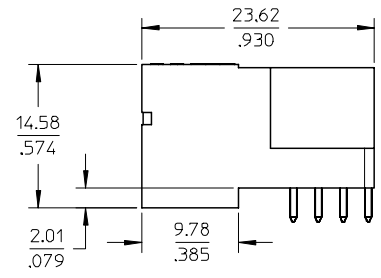
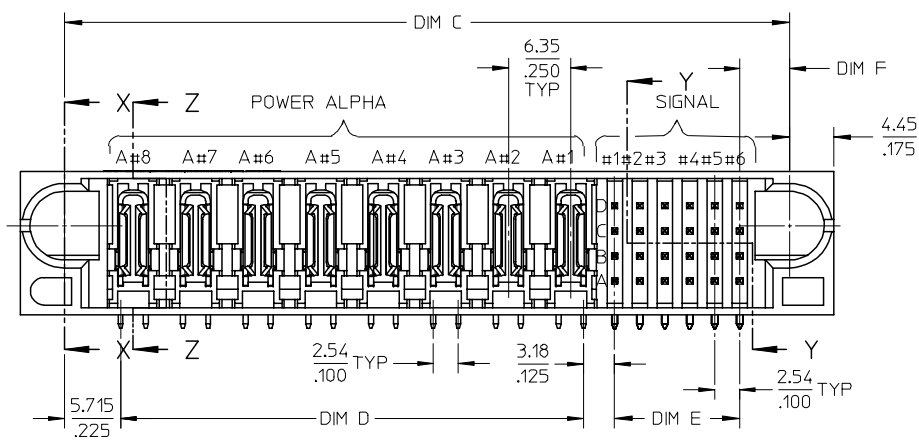


10 9 8 7 6 5 4 3 2 1



3-D VIEW OF
8 POWER-24 SIGNAL
FOR ILLUSTRATION



- NOTES:
- MATERIALS: HOUSING - LCP GLASS FILLED, UL94V-0, COLOUR: BLACK
POWER PINS - COPPER ALLOY
SIGNAL PINS - COPPER ALLOY
 - FINISHES : POWER AND SIGNAL PINS :
SELECTIVE GOLD IN THE CONTACT AREA.
THICKNESS = 0.76 MICROMETER / 30 MICROINCH MINIMUM
SELECTIVE TIN ALLOY IN THE PC TAIL AREA
THICKNESS = 2.54 MICROMETER / 100 MICROINCH MINIMUM
NICKEL OVERALL
 - PRODUCT SPECIFICATION : PS-87631-006
 - SEE SHEET 2 FOR RECOMMENDED PCB LAYOUT AND THICKNESS.
COMPONENT STAY AWAY ZONE FROM CONNECTOR.
MANUFACTURER LOGO, PART NUMBER AND YEAR-WEEK CODE.
8 POWER ALPHA - 24 SIGNAL IS SHOWN FOR ILLUSTRATION .
CONNECTOR CONFIGURATION IS AVAILABLE UP TO 203MM/INCH.
PLEASE CONTACT MOLEX SALES PERSONNEL FOR OTHER CONFIGURATION AND OPTION NEEDED.

PDR#S-001375-00-00
EC NO: S2007-0253
DRW:KELIM 2006/09/15
CHKD:MLONG 2006/09/15
APPR:SKTOH 2006/09/19

QUALITY SYMBOLS
▽=0
△=0

GENERAL TOLERANCES (UNLESS SPECIFIED)	
	MM/IN
4 PLACES	± --- ± ---
3 PLACES	± --- ± ---
2 PLACES	± 0.25 ± ---
1 PLACE	± --- ± ---
ANGULAR ± 3 °	

DIMENSION STYLE	
MM/IN	
DRAWN BY	DATE
KFL IM	2006/03/10
CHECKED BY	DATE
MLONG	2006/03/21
APPROVED BY	DATE
NAGESHKN	2006/03/21
MATERIAL NO.	
SEE TABLE	

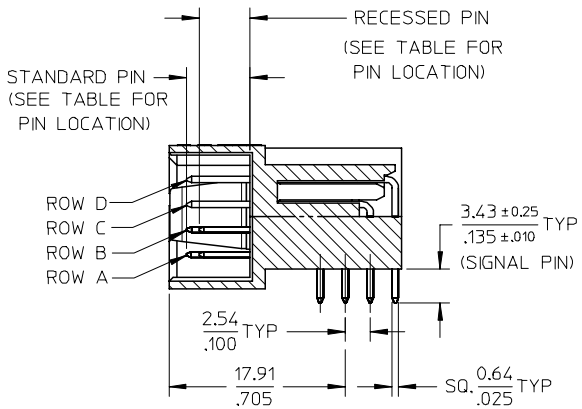
SCALE	DESIGN UNITS	THIRD ANGLE PROJECTION	
NTS	METRIC	☉	◻
TITLE			
HEADER POWER CONNECTOR P-S CONFIGURATION R/A, T/H, SCREW-MOUNT			
MOLEX INCORPORATED		SHEET NO.	
DOCUMENT NO. SD-87696-021		1 OF 3	
DRAFT WHERE APPLICABLE MUST REMAIN WITHIN DIMENSIONS			
THIS DRAWING CONTAINS INFORMATION THAT IS PROPRIETARY TO MOLEX INCORPORATED AND SHOULD NOT BE USED WITHOUT WRITTEN PERMISSION			

9 8 7 6 5 4 3 2 1

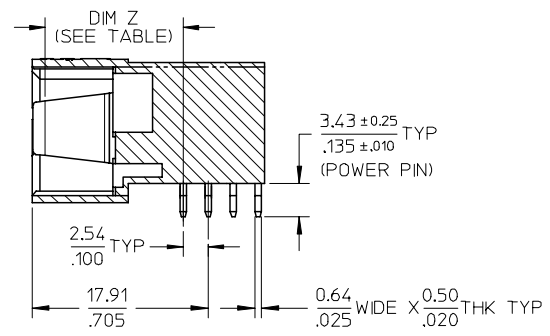
10 9 8 7 6 5 4 3 2 1

F
E
D
C
B
A

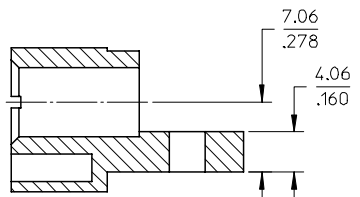
F
E
D
C
B
A



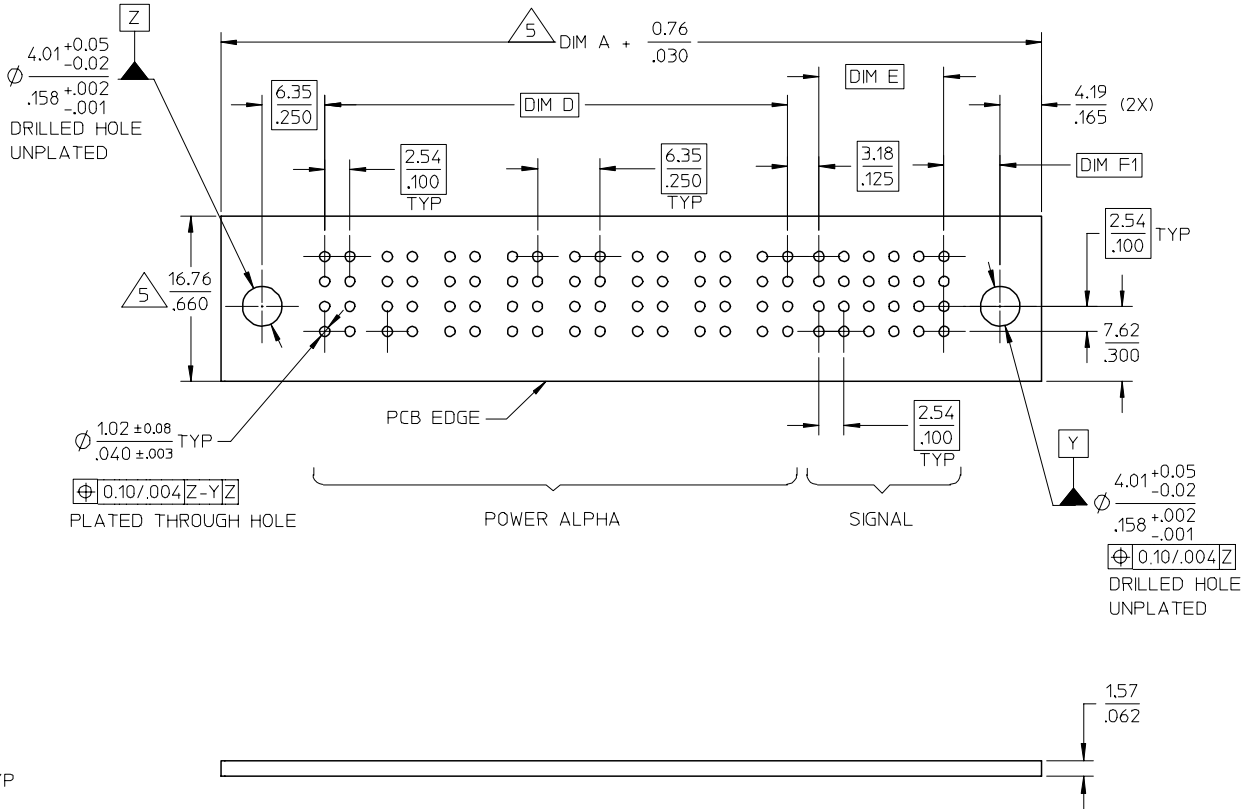
SECTION Y-Y



SECTION Z-Z



SECTION X-X



RECOMMENDED PCB LAYOUT

PDR#S-001375-00-00 EC NO: S2007-0253 DRWN:KFLM 2006/09/15 CHKD:MLONG 2006/09/15 APPR:SKTOH 2006/09/19	QUALITY SYMBOLS ▽=0 ▽C=0	GENERAL TOLERANCES (UNLESS SPECIFIED)		DIMENSION STYLE MM/IN	SCALE NTS	DESIGN UNITS METRIC	THIRD ANGLE PROJECTION		
		4 PLACES ± --- ± ---	3 PLACES ± --- ± ---	2 PLACES ± 0.25 ± ---	1 PLACE ± --- ± ---	ANGULAR ± 3°	DRAWN BY KFL IM	DATE 2006/03/10	TITLE HEADER POWER CONNECTOR P-S CONFIGURATION R/A, T/H, SCREW-MOUNT
		DRAFT WHERE APPLICABLE MUST REMAIN WITHIN DIMENSIONS		SEE TABLE	APPROVED BY NAGESHKN	DATE 2006/03/21	MATERIAL NO.	DOCUMENT NO. SD-87696-021	SHEET NO. 2 OF 3
		THIS DRAWING CONTAINS INFORMATION THAT IS PROPRIETARY TO MOLEX INCORPORATED AND SHOULD NOT BE USED WITHOUT WRITTEN PERMISSION							

9 8 7 6 5 4 3 2 1

PART NUMBER	P-S CONFIGURATION		DIMENSIONS							POWER BLADE OPTIONS		STANDARD PIN LOCATION			RECESSED PIN LOCATION			PACKAGING			
	POWER ALPHA	SIGNAL	DIM A	DIM B	DIM C	DIM D	DIM E	DIM F	DIM F1	TYPE	DIM Z ±0.13/.005	ROW	COLUMN	LENGTH	ROW	COLUMN	LENGTH				
87696-3010	8	28	85.09 3.35	77.47 3.05	76.20 3.00	46.99 1.85	15.24 .600	5.08 .200	5.72 .225	LONG CONTACT	14.12/.556	D	NIL	6.86/.270	D	1-7	5.59/.220	TRAY			
87696-3012	2	24	44.45 1.75	36.83 1.45	35.56 1.40	8.89 0.35	12.70 .500	5.08 .200	5.72 .225			D	1-6		C	1,3,4,5,6			D	NIL	C

PDR#S-001375-00-00 EC NO: S2007-0253 DRWN:KFLM 2006/09/15 CHKD:MLONG 2006/09/15 APPR:SKTOH 2006/09/19	QUALITY SYMBOLS	GENERAL TOLERANCES (UNLESS SPECIFIED)	DIMENSION STYLE	SCALE	DESIGN UNITS	THIRD ANGLE PROJECTION															
	=0 =0	<table border="1"> <tr> <th></th> <th>mm</th> <th>INCH</th> </tr> <tr> <td>4 PLACES</td> <td>± ---</td> <td>± ---</td> </tr> <tr> <td>3 PLACES</td> <td>± ---</td> <td>± ---</td> </tr> <tr> <td>2 PLACES</td> <td>± 0.25</td> <td>± ---</td> </tr> <tr> <td>1 PLACE</td> <td>± ---</td> <td>± ---</td> </tr> </table>		mm	INCH	4 PLACES	± ---	± ---	3 PLACES	± ---	± ---	2 PLACES	± 0.25	± ---	1 PLACE	± ---	± ---	MM/IN	NTS	METRIC	
		mm	INCH																		
	4 PLACES	± ---	± ---																		
3 PLACES	± ---	± ---																			
2 PLACES	± 0.25	± ---																			
1 PLACE	± ---	± ---																			
DESCRIPTION	DRAFT WHERE APPLICABLE MUST REMAIN WITHIN DIMENSIONS	<table border="1"> <tr> <th>DRAWN BY</th> <th>DATE</th> <th>TITLE</th> </tr> <tr> <td>KFLIM</td> <td>2006/03/10</td> <td rowspan="2">HEADER POWER CONNECTOR P-S CONFIGURATION R/A, T/H, SCREW-MOUNT</td> </tr> <tr> <th>CHECKED BY</th> <th>DATE</th> </tr> <tr> <td>MLONG</td> <td>2006/03/21</td> <td rowspan="2">MOLEX INCORPORATED</td> </tr> <tr> <th>APPROVED BY</th> <th>DATE</th> </tr> <tr> <td>NAGESHKN</td> <td>2006/03/21</td> <td></td> </tr> </table>	DRAWN BY	DATE	TITLE	KFLIM	2006/03/10	HEADER POWER CONNECTOR P-S CONFIGURATION R/A, T/H, SCREW-MOUNT	CHECKED BY	DATE	MLONG	2006/03/21	MOLEX INCORPORATED	APPROVED BY	DATE	NAGESHKN	2006/03/21				
DRAWN BY	DATE	TITLE																			
KFLIM	2006/03/10	HEADER POWER CONNECTOR P-S CONFIGURATION R/A, T/H, SCREW-MOUNT																			
CHECKED BY	DATE																				
MLONG	2006/03/21	MOLEX INCORPORATED																			
APPROVED BY	DATE																				
NAGESHKN	2006/03/21																				
REV	SIZE	SEE TABLE		DOCUMENT NO.	SHEET NO.																
A1	A3	THIS DRAWING CONTAINS INFORMATION THAT IS PROPRIETARY TO MOLEX INCORPORATED AND SHOULD NOT BE USED WITHOUT WRITTEN PERMISSION		SD-87696-021	3 OF 3																