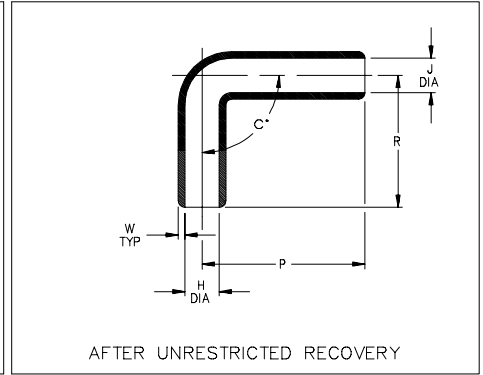
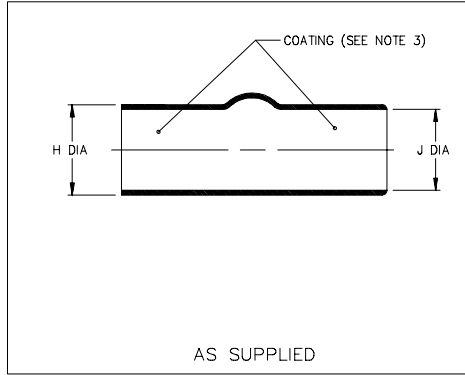


Thermofit[®] Molded Parts Specification Control Drawing

Part Number : 220A012 thru 023
Description : Cover, Elbow

NOTES

- All dimensions are in $\frac{\text{inches}}{[\text{millimeters}]}$
- Dimensions appearing in table are as follows:
 - a - As Supplied
 - b - After Unrestricted Recovery
- Coating is optional. As supplied dimensions appearing in table are for uncoated parts. When coating is added, entry diameters will be reduced by .06 max.



PART NUMBER	H		J		P ±10% b	R ±10% b	W ±20% b	C ±5° b
	Min a	Max b	Min a	Max b				
220A012	.62 [15,7]	.31 [7,8]	.62 [15,7]	.31 [7,8]	1.75 [44,4]	1.00 [25,4]	.06 [1,5]	90°
220A018	.75 [19,0]	.37 [9,4]	.75 [19,0]	.37 [9,4]	1.75 [44,4]	1.75 [44,4]	.07 [1,7]	90°
220A023	1.25 [31,7]	.62 [15,7]	1.25 [31,7]	.62 [15,7]	3.50 [88,9]	2.00 [50,8]	.09 [2,3]	90°

Raychem

RAYCHEM CORPORATION
300 CONSTITUTION DRIVE
MENLO PARK, CALIFORNIA 94025
(415) 361-6055

Revision : D
Date : 3/19/92

Part Number : 220A012 thru 023
Description : Cover, Elbow

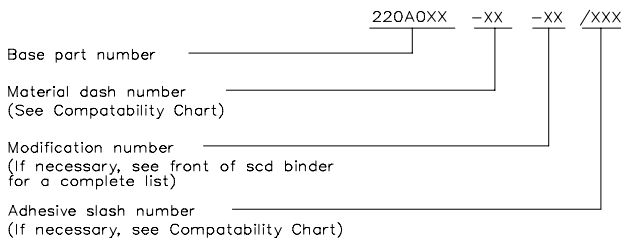
Thermofit[®] Molded Parts Specification Control Drawing

Part Number : 220A012 thru 023
Description : Cover, Elbow

MATERIAL DASH NO.	MATERIAL DESCRIPTION	RT SPEC	COATING SLASH NO.	COATING S NO.	COATING DESCRIPTION
-3	Polyolefin, Semi-rigid	RT-301	/42	S-1017	Adhesive
-4	Polyolefin, Flexible	RT-1304	/42	S-1017	Adhesive
-5	Elastomer, Flexible	RT-501	N/A		
-6	Silicone	RT-602	N/A		
-12	*VITON, Flexible	RT-1312	N/A		
-25	Elastomer, Fluid Resistant	RT-1325	N/A		

*VITON is a Registered Trademark of Dupont

ORDERING INFORMATION



THIS DRAWING IS SUBJECT TO CHANGE WITHOUT NOTICE; CONSULT YOUR
NEAREST FIELD REPRESENTATIVE FOR CURRENT REVISION

If this document is printed it becomes uncontrolled.
Check for the latest revision.

Raychem

RAYCHEM CORPORATION
300 CONSTITUTION DRIVE
MENLO PARK, CALIFORNIA 94025
(415) 361-6055

Revision : D
Date : 3/19/92

Part Number : 220A012 thru 023
Description : Cover, Elbow

CAD FILE MP92174