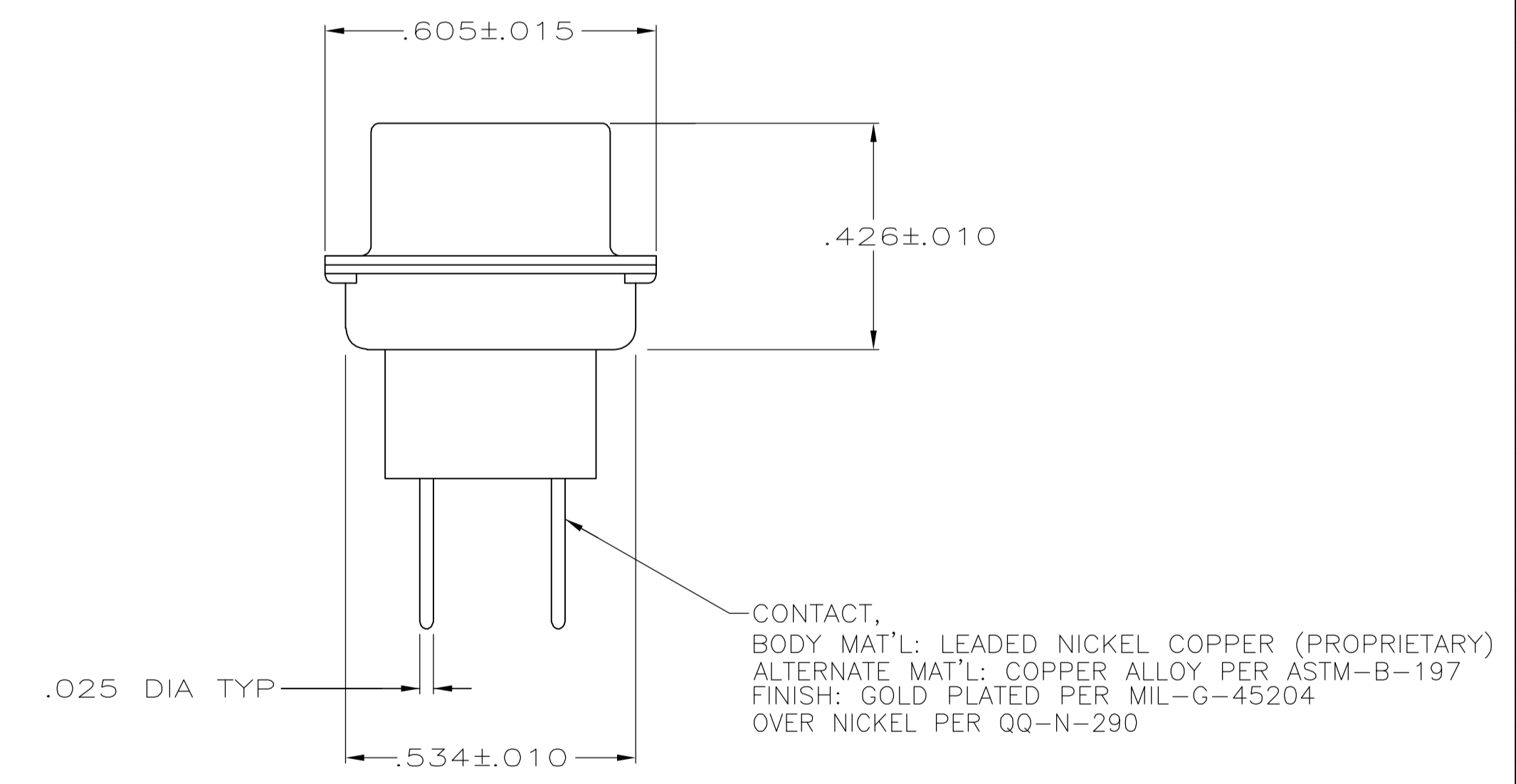
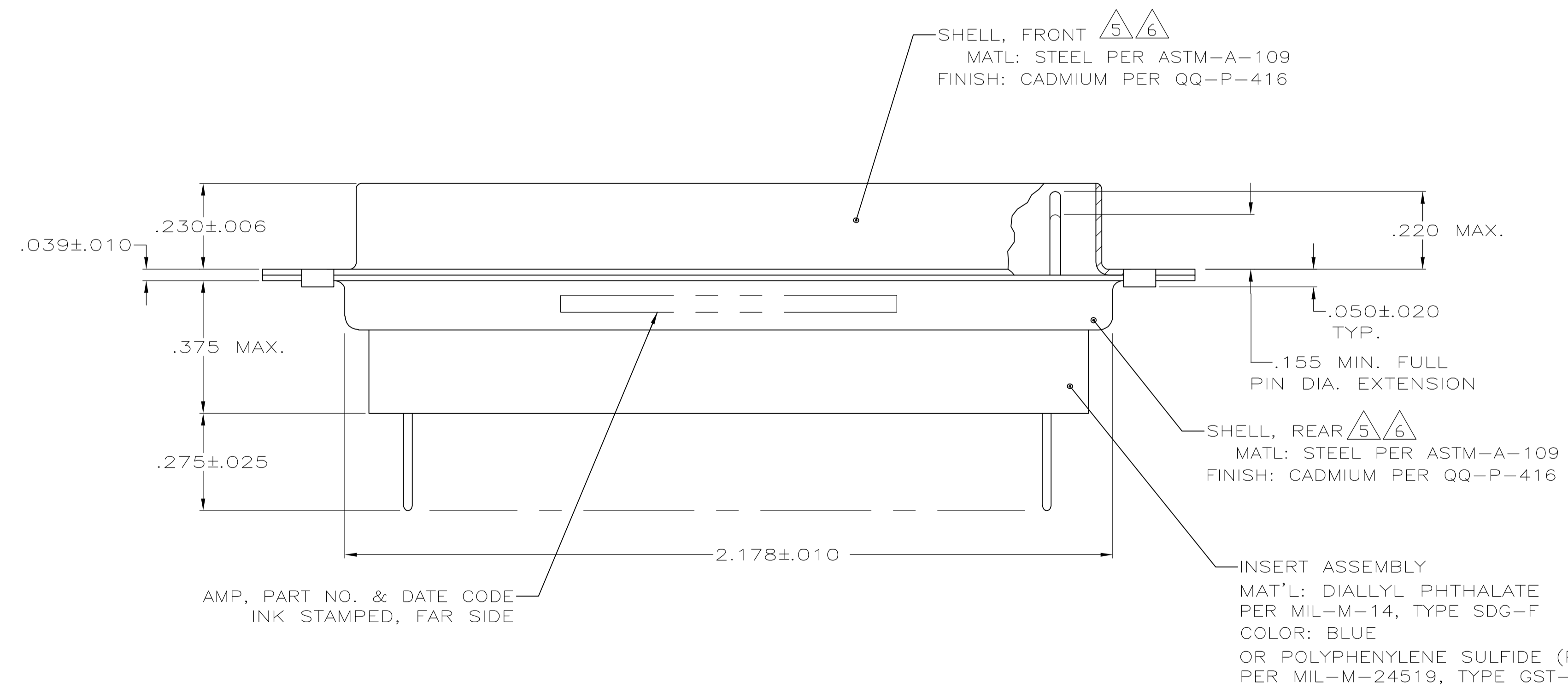


RECOMMENDED P.C. BOARD LAYOUT



- .040 DIA HOLE IS RECOMMENDED FOR P.C. BOARD.
 - CONNECTOR MATES WITH ANY AMP 78 POSN RECEPTACLE.
 - REPLACEMENT CONTACT AMP# 207683-8.
- 4 UL/CSA DESIGNATION STAMPED IN THIS AREA.
- 5 CADMIUM PER QQ-P-416.
- 6 FINISH: ZINC PER ASTM-B-633 .000200-.000400 THK WITH SUPPLEMENTARY CHROMATE (Cr3+).

6	5-208870-1
5	208870-1
REMARKS	PART NO

THIS DRAWING IS A CONTROLLED DOCUMENT.		DIN C.C.THOMAS 1-12-88	Tyco Electronics Corporation Harrisburg, PA 17105-3608
DIMENSIONS: INCHES		CHK F.C.BALLEW III	
TOLERANCES UNLESS OTHERWISE SPECIFIED:		APVD	NAME
0 PLC	± .005	PRODUCT SPEC	AMPLIMITE 78 POSN. PLUG ASSY., WITH LOADED POSTED CONTACTS SIZE 5, SERIES 90
1 PLC	± .005	APPLICATION SPEC	SIZE
2 PLC	± .005	WEIGHT	CAGE CODE
3 PLC	± .005	CUSTOMER DRAWING	DRAWING NO
4 PLC	± .005	SCALE	RESTRICTED TO
ANGLES	± .005	4:1	1 OF 1
FINISH	SEE CALLOUTS	REV	J