

# Quad-PLL Programmable Spread Spectrum Clock Generator with Serial I<sup>2</sup>C Interface

## Features

- Four fully-integrated phase-locked loops (PLLs)
  - Input frequency range
    - External crystal: 8 to 48 MHz
    - External reference: 8 to 166 MHz clock
- Wide operating output frequency range
  - 3 to 166 MHz
- Serial programmable over two-wire I<sup>2</sup>C interface
- Programmable spread spectrum with center and down spread option and Lexmark and Linear modulation profiles
- V<sub>DD</sub> supply voltage options:
  - 2.5 V, 3.0 V, and 3.3 V for CY2545
  - 1.8 V for CY2547
- Selectable output clock voltages independent of V<sub>DD</sub> supply:
  - 1.8 V, 2.5 V, 3.0 V, and 3.3 V for CY2545
  - 1.8 V for CY2547
- Power-down, output enable, or frequency select features
- Low jitter, high accuracy outputs
- Ability to synthesize nonstandard frequencies with Fractional-N capability
- Up to eight clock outputs with programmable drive strength
- Glitch-free outputs while frequency switching

- 24-pin QFN package
- Commercial and industrial temperature ranges
- One-time programmability  
 For programming support, contact [Cypress technical support](#) or send an e-mail to [clocks@cypress.com](mailto:clocks@cypress.com)

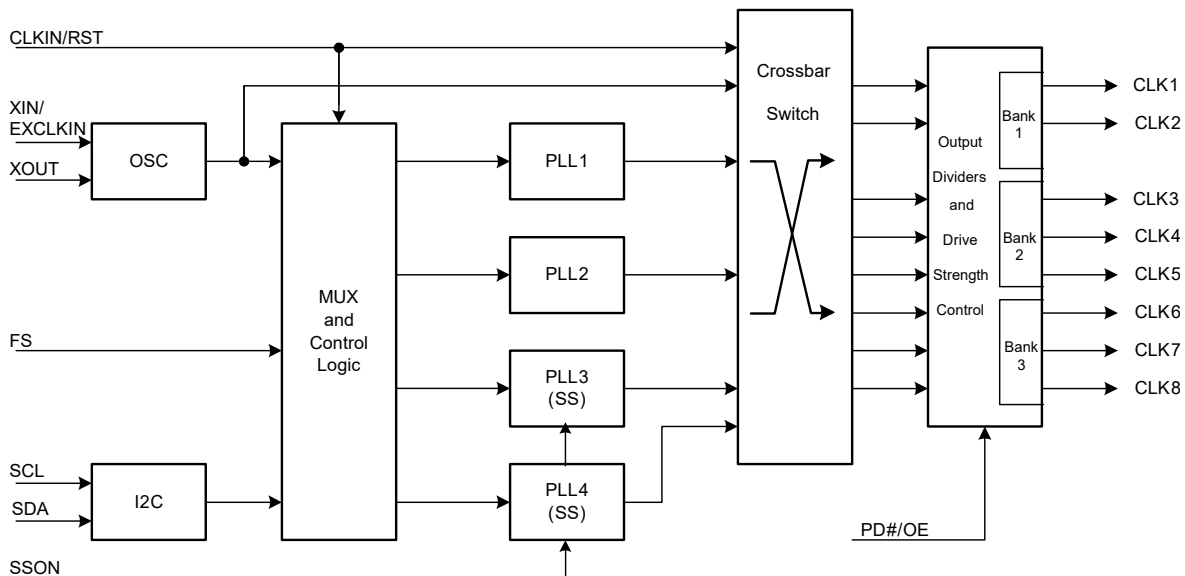
## Benefits

- Multiple high-performance PLLs allow synthesis of unrelated frequencies
- Nonvolatile programming for personalization of PLL frequencies, spread spectrum characteristics, drive strength, crystal load capacitance, and output frequencies
- Application-specific programmable EMI reduction using spread spectrum for clocks
- Programmable PLLs for system frequency margin tests
- Meets critical timing requirements in complex system designs
- Suitability for PC, consumer, portable, and networking applications
- Capable of zero PPM frequency synthesis error
- Uninterrupted system operation during clock frequency switch
- Application compatibility in standard and low-power systems

## Functional Description

For a complete list of related documentation, click [here](#).

## Logic Block Diagram

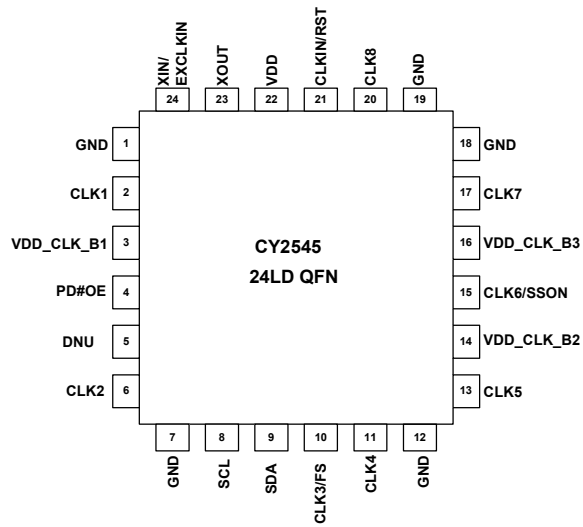


## Contents

<b>Pinouts</b> .....	<b>3</b>	<b>Read Operations</b> .....	<b>11</b>
<b>Pin Definitions</b> .....	<b>4</b>	Current Address Read .....	11
<b>Pinouts</b> .....	<b>5</b>	Random Read .....	11
<b>Pin Definitions</b> .....	<b>6</b>	Sequential Read .....	11
<b>Functional Overview</b> .....	<b>7</b>	<b>Serial I2C Programming Interface</b>	
Four Configurable PLLs .....	7	<b>Timing Specifications</b> .....	<b>11</b>
I2C Programming .....	7	<b>Absolute Maximum Conditions</b> .....	<b>12</b>
Input Reference Clocks .....	7	<b>Recommended Operating Conditions</b> .....	<b>12</b>
Multiple Power Supplies .....	7	<b>DC Electrical Specifications</b> .....	<b>13</b>
Output Bank Settings .....	7	<b>AC Electrical Specifications</b> .....	<b>14</b>
Output Source Selection .....	7	<b>Configuration Example</b> .....	<b>14</b>
Spread Spectrum Control .....	7	<b>Recommended Crystal Specification</b> .....	<b>15</b>
Frequency Select .....	7	<b>Recommended Crystal Specification</b> .....	<b>15</b>
Glitch-Free Frequency Switch .....	7	<b>Test and Measurement Setup</b> .....	<b>16</b>
Device Reset Function .....	7	<b>Voltage and Timing Definitions</b> .....	<b>16</b>
PD#/OE Mode .....	7	<b>Ordering Information</b> .....	<b>17</b>
Keep Alive Mode .....	7	Possible Configurations .....	17
Output Drive Strength .....	8	Ordering Code Definitions .....	17
Generic Configuration and Custom Frequency .....	8	<b>Package Diagram</b> .....	<b>18</b>
Output Driver Supply		<b>Acronyms</b> .....	<b>19</b>
and Multi-Function Input Restriction .....	8	<b>Document Conventions</b> .....	<b>19</b>
<b>Serial I2C Programming Interface</b>		Units of Measure .....	19
<b>Protocol and Timing</b> .....	<b>9</b>	<b>Document History Page</b> .....	<b>20</b>
Device Address .....	10	<b>Sales, Solutions, and Legal Information</b> .....	<b>22</b>
Data Valid .....	10	Worldwide Sales and Design Support .....	22
Data Frame .....	10	Products .....	22
Acknowledge Pulse .....	10	PSoC® Solutions .....	22
<b>Write Operations</b> .....	<b>11</b>	Cypress Developer Community .....	22
Writing Individual Bytes .....	11	Technical Support .....	22
Writing Multiple Bytes .....	11		

**Pinouts**

**Figure 1. 24-pin QFN pinout**



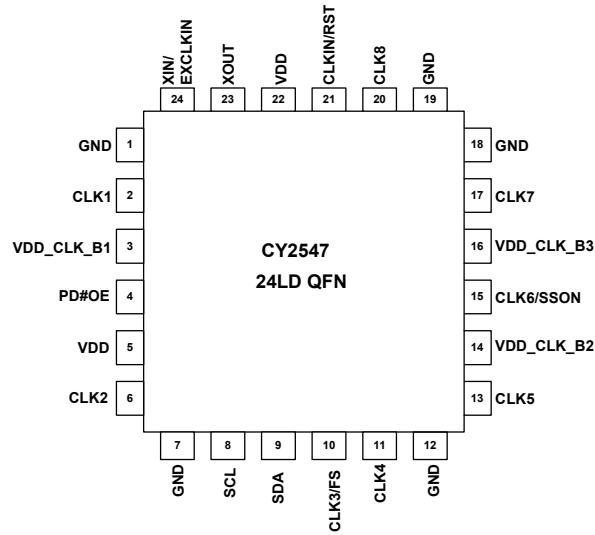
## Pin Definitions

CY2545 (24-pin QFN ( $V_{DD}$  = 2.5 V, 3.0 V or 3.3 V Supply))

Pin No.	Name	I/O	Description
1	GND	Power	Power supply ground
2	CLK1	Output	Programmable clock output with spread spectrum. Output voltage depends on Bank1 voltage
3	$V_{DD\_CLK\_B1}$	Power	Power supply for Bank1 (CLK1, CLK2) output: 2.5 V/3.0 V/3.3 V and must be equal to or more than the $V_{DD}$ power supply.
4	PD#/OE	Input	Multifunction programmable pin: Output enable or Power-down mode
5	DNU	DNU	Do not use this pin
6	CLK2	Output	Programmable clock output with spread spectrum. Output voltage depends on Bank1 voltage
7	GND	Power	Power supply ground
8	SCL	Input	Serial data clock
9	SDA	Input/Output	Serial data input/output
10	CLK3/FS	Output/Input	Multifunction programmable pin: Programmable clock output with no spread spectrum or frequency select input pin. Output voltage of CLK3 depends on Bank2 voltage
11	CLK4	Output	Programmable clock output with no spread spectrum. Output voltage depends on Bank2 voltage
12	GND	Power	Power supply ground
13	CLK5	Output	Programmable clock output with spread spectrum. Output voltage depends on Bank2 voltage
14	$V_{DD\_CLK\_B2}$	Power	Power supply for Bank2 (CLK3, CLK4, CLK5) output: 1.8 V/2.5 V/3.0 V/3.3 V
15	CLK6/SSON	Output/Input	Multifunction programmable pin: Programmable clock output with spread spectrum or spread spectrum ON/OFF control input pin. Output voltage of CLK6 depends on Bank3 voltage
16	$V_{DD\_CLK\_B3}$	Power	Power supply for Bank3 (CLK6, CLK7, CLK8) output: 2.5 V/3.0 V/3.3 V
17	CLK7	Output	Programmable clock output with spread spectrum. Output voltage depends on Bank3 voltage
18	GND	Power	Power supply ground
19	GND	Power	Power supply ground
20	CLK8	Output	Programmable clock output with spread spectrum. Output voltage depends on Bank3 voltage
21	CLKIN/RST	Input/Input	Multifunction programmable pin. High true reset input or 2.5 V/3.0 V/3.3 V external reference clock input. The signal level of CLKIN input must track $V_{DD}$ power supply on pin 22.
22	$V_{DD}$	Power	Power supply for core and inputs: 2.5 V/3.0 V/3.3 V
23	XOUT	Output	Crystal output
24	XIN/EXCLKIN	Input	Crystal input or 1.8 V external clock input

**Pinouts**

**Figure 2. 24-pin QFN pinout**



## Pin Definitions

CY2547 (24-pin QFN ( $V_{DD} = 1.8\text{ V}$  Supply))

Pin No.	Name	I/O	Description
1	GND	Power	Power supply ground
2	CLK1	Output	Programmable clock output with spread spectrum. Output voltage depends on Bank1 voltage
3	$V_{DD\_CLK\_B1}$	Power	Power supply for Bank1 (CLK1, CLK2) output: 1.8 V
4	PD#/OE	Input	Multifunction programmable pin: Output enable or Power-down mode
5	$V_{DD}$	Power	Power supply for core and inputs: 1.8 V
6	CLK2	Output	Programmable output clock with spread spectrum. Output voltage depends on Bank1 voltage
7	GND	Power	Power supply ground
8	SCL	Input	Serial data clock
9	SDA	Input/Output	Serial data input
10	CLK3/FS	Output/Input	Multifunction programmable pin: Programmable clock output with no spread spectrum or frequency select input pin. Output voltage of CLK3 depends on $V_{DD\_CLK\_B2}$ voltage
11	CLK4	Output	Programmable output clock with no spread spectrum. Output voltage depends on Bank2 voltage
12	GND	Power	Power supply ground
13	CLK5	Output	Programmable clock output with spread spectrum. Output voltage depends on Bank2 voltage
14	$V_{DD\_CLK\_B2}$	Power	Power supply for Bank2 (CLK3, CLK4, CLK5) output: 1.8 V
15	CLK6/SSON	Output/Input	Multifunction programmable pin: Programmable clock output with spread spectrum or spread spectrum ON/OFF control input pin. Output voltage of CLK6 depends on $V_{DD\_CLK\_B3}$ voltage
16	$V_{DD\_CLK\_B3}$	Power	Power supply for Bank3 (CLK6, CLK7, CLK8) output: 1.8 V
17	CLK7	Output	Programmable clock output with spread spectrum. Output voltage depends on Bank3 voltage
18	GND	Power	Power supply ground
19	GND	Power	Power supply ground
20	CLK8	Output	Programmable clock output with spread spectrum. Output voltage depends on Bank3 voltage
21	CLKIN/RST	Input/Input	Multifunction programmable pin: High true reset input or 1.8 V external low voltage reference clock input
22	$V_{DD}$	Power	Power supply for core and inputs: 1.8 V
23	XOUT	Output	Crystal output
24	XIN/EXCLKIN	Input	Crystal input or 1.8 V external clock input

## Functional Overview

### Four Configurable PLLs

The CY2545 and CY2547 have four I<sup>2</sup>C programmable PLLs available to generate output frequencies ranging from 3 to 166 MHz. The advantage of having four PLLs is that a single device generates up to four independent frequencies from a single crystal. Two sets of frequencies for each PLL can be programmed. This enables in system frequency switching using multifunction frequency select pin, FS.

### I<sup>2</sup>C Programming

The CY2545 and CY2547 have a serial I<sup>2</sup>C interface that programs the configuration memory array to synthesize output frequencies by programmable output divider, spread characteristics, drive strength, and crystal load capacitance. I<sup>2</sup>C can also be used for in system control of these programmable features.

### Input Reference Clocks

The input to the CY2545 and CY2547 is either a crystal or a clock signal. The input frequency range for crystals is 8 MHz to 48 MHz. There is provision for two reference clock inputs, CLKIN and EXCLKIN with frequency range of 8 MHz to 166 MHz. For both devices, when CLKIN signal at pin 21 is used as a reference input, a valid signal at EXCLKIN (as specified in the AC and DC Electrical Specification table), must be present for the devices to operate properly.

### Multiple Power Supplies

The CY2545 and CY2547 are designed to operate at internal core supply voltage of 1.8 V. In the case of the high voltage part (CY2545), an internal regulator is used to generate 1.8 V from the 2.5 V/3.0 V/3.3 V V<sub>DD</sub> supply voltage at pin 22. For the low voltage part (CY2547), this internal regulator is bypassed and 1.8 V at V<sub>DD</sub> pin 22 is directly used.

### Output Bank Settings

These devices have eight clock outputs grouped in three output driver banks. The Bank 1, Bank 2, and Bank 3 correspond to (CLK1, CLK2), (CLK3, CLK4, CLK5), and (CLK6, CLK7, CLK8), respectively. Separate power supplies are used for each of these banks and they can be any of 1.8 V, 2.5 V, 3.0 V, or 3.3 V for CY2545 and 1.8 V for CY2547 giving user multiple choice of output clock voltage levels.

### Output Source Selection

These devices have eight clock outputs (CLK1 - 8). There are six available clock sources for these outputs. These clock sources are: XIN/EXCLKIN, CLKIN, PLL1, PLL2, PLL3, or PLL4. Output clock source selection is done using four out of six crossbar switch. Thus, any one of these six available clock sources can be arbitrarily selected for the clock outputs. This gives user a flexibility to have up to four independent clock outputs.

### Spread Spectrum Control

Two of the four PLLs (PLL3 and PLL4) have spread spectrum capability for EMI reduction in the system. The device uses a Cypress proprietary PLL and Spread Spectrum Clock (SSC) technology to synthesize and modulate the frequency of the PLL. The spread spectrum feature can be turned on or off using a multifunction control pin (CLK7/SSON). It can be programmed to either center spread range from  $\pm 0.125\%$  to  $\pm 2.50\%$  or down spread range from  $-0.25\%$  to  $-5.0\%$  with Lexmark or Linear profile.

### Frequency Select

The device can store two different PLL frequency configurations, output source selection and output divider values for all eight outputs in its nonvolatile memory location. There is a multifunction programmable pin, CLK3/FS which, if programmed as frequency select input, can be used to select between these two arbitrarily programmed settings.

### Glitch-Free Frequency Switch

When the frequency select pin (FS) is used to switch frequency, the outputs are glitch-free provided frequency is switched using output dividers. This feature enables uninterrupted system operation while clock frequency is switched.

### Device Reset Function

There is a multifunction CLKIN/RST (pin 21) that can be programmed to use for the device reset function. There are two different programmable modes of operation for this device reset function. First one (called POR like reset), when used brings the device in the default register settings losing all configuration changes made through the I<sup>2</sup>C interface. The second (called Clean Start), keeps the I<sup>2</sup>C programmed values while giving all outputs a simultaneous clean start from its low pull-down state.

### PD#/OE Mode

PD#/OE (Pin 4) is programmable to operate as either power-down (PD#) or output enable (OE) mode. PD# is a low true input. If activated it shuts off the entire chip, resulting in minimum device power consumption. Setting this signal high brings the device into operational mode with default register settings.

When this pin is programmed as output enable (OE), clock outputs are enabled or disabled using OE pin. Individual clock outputs can be programmed to be sensitive to this OE pin.

### Keep Alive Mode

By activating the device in the keep alive mode, power-down mode is changed to power saving mode. This disables all PLLs and outputs, but preserves the contents of the volatile registers. Thus, any configuration changes made through the I<sup>2</sup>C interface are preserved. By deactivating the keep alive mode, I<sup>2</sup>C memory is not preserved during power-down, but power consumption is reduced relative to the keep alive mode.

### Output Drive Strength

The DC drive strength of the individual clock output can be programmed for different values. Table 1 shows the typical rise and fall times for different drive strength settings.

**Table 1. Output Drive Strength**

Output Drive Strength	Rise/Fall Time (ns) (Typical Value)
Low	6.8
Mid Low	3.4
Mid High	2.0
High	1.0

### Generic Configuration and Custom Frequency

There is a generic set of output frequencies available from the factory that can be used for the device evaluation purposes. The device, CY2545/CY2547 can be custom programmed to any desired frequencies and listed features. For customer specific programming and I<sup>2</sup>C programmable memory bitmap definitions, contact your local Cypress Field Application Engineer (FAE) or sales representative.

### Output Driver Supply and Multi-Function Input Restriction

There are two programmable Output/Input function pins for CLK3/FS and CLK6/SSON. These are configurable as clock output or select input or spread spectrum ON/OFF control input pin.

- When configured as Output, the driver supply voltage is defined by  $V_{DD\_CLK\_Bx}$  and can be individually used with 1.8 V, 2.5 V, 3.0 V, or 3.3 V power supply apart from the  $V_{DD}$  supply.
- When configured as Input, the input threshold level is defined by  $V_{DD}$  supply while the protection diode is connected to the respective  $V_{DD\_CLK\_Bx}$  power supply. Therefore, if  $V_{DD\_CLK\_Bx}$  is less than  $V_{DD} - 0.5$  V, a large leakage current would flow from the input pin to the  $V_{DD\_CLK\_Bx}$  supply. The device does not permit this condition; it is required that the power supply for the bank ( $V_{DD\_CLK\_Bx}$ ) is more than  $V_{DD} - 0.5$  V.

**Example:** In CY2545, if  $V_{DD\_CLK\_B2} = 1.8$  V, CLK3/FS is configured as FS, and  $V_{DD} = 3.3$  V, there will be a leakage current from FS high to  $V_{DD\_CLK\_B2}$ . The multi-function pin should only be used as clock output if the  $V_{DD\_CLK\_Bx}$  is less than  $V_{DD} - 0.5$  V. In other words, when these multi-function programmable pins are configured as input, the power supply for the bank ( $V_{DD\_CLK\_Bx}$ ) should be more than  $V_{DD} - 0.5$  V.



## Serial I<sup>2</sup>C Programming Interface Protocol and Timing

To enhance the flexibility and function of the clock synthesizer, a two signal serial interface is provided. Through the Serial Data Interface, various device functions, such as individual clock output buffers, are individually enabled or disabled. The registers associated with the Serial Data Interface initialize to their default setting upon power-up and therefore, use of this interface is optional. Clock device register changes are normally made at system initialization, if any are required.

The CY2545 and CY2547 use a 2-wire serial interface SDA and SCL that operates up to 400 kbits/s in read or write mode. The SDA and SCL timing and data transfer sequence is shown in Figure 3. The basic write serial format is:

Start Bit; 7-bit Device Address (DA); R/W Bit; Slave Clock Acknowledge (ACK); 8-bit Memory Address (MA); ACK; 8-bit Data in MA+1 if desired; ACK; 8-bit Data in MA+2; ACK; etc. until STOP Bit. The basic serial format is illustrated in Figure 4.

Figure 3. Data Transfer Sequence on the Serial Bus

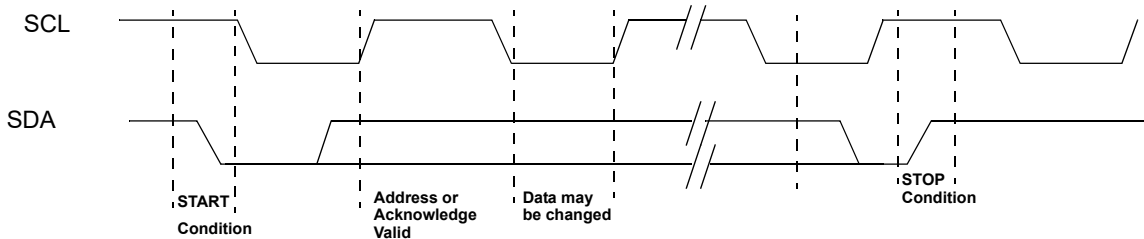
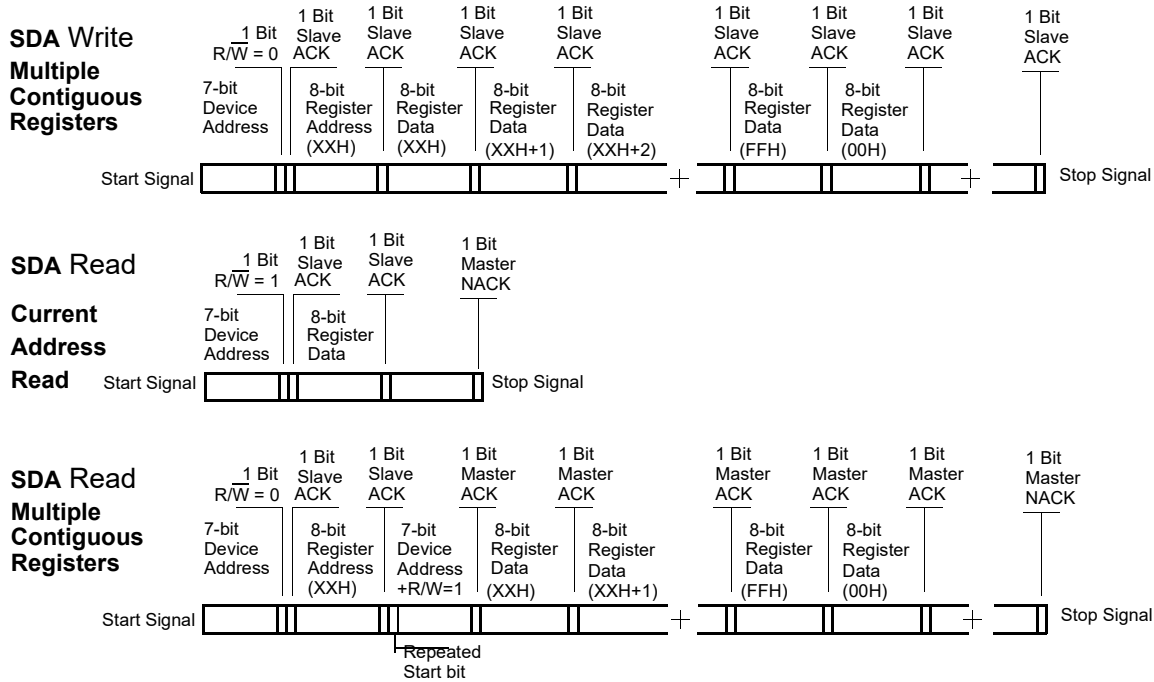


Figure 4. Data Frame Architecture



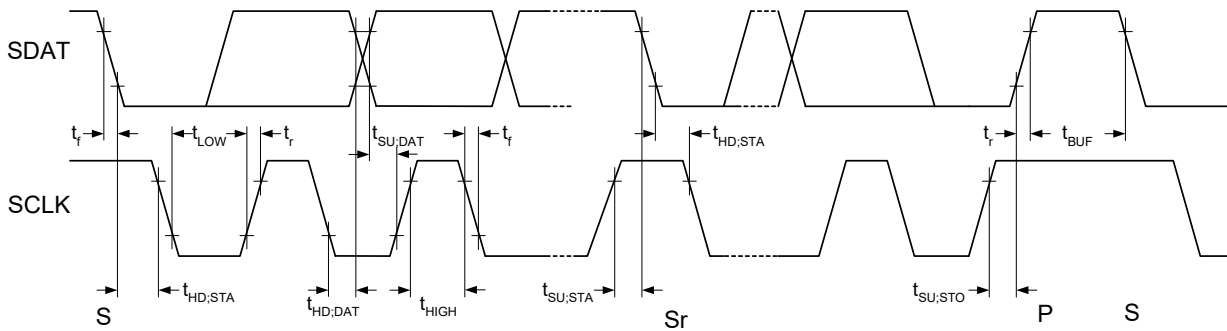
**Device Address**

The device serial interface address is 69H. The device address is combined with a read/write bit as the LSB and is sent after each start bit.

**Data Valid**

Data is valid when the clock is HIGH, and is only transitioned when the clock is LOW, as illustrated in Figure 5.

**Figure 5. Data Valid and Data Transition Periods**



**Data Frame**

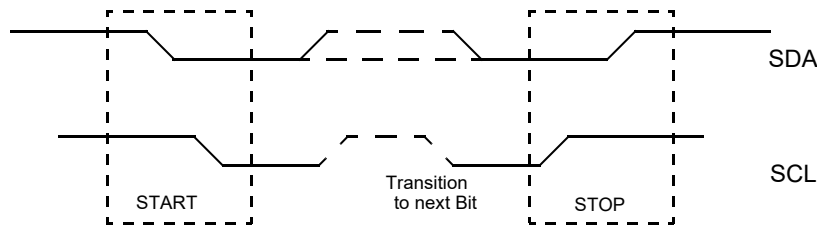
A start and stop sequence indicates every new data frame, as illustrated in Figure 6.

**Start Sequence** - The start frame is indicated by SDA going LOW when SCL is HIGH. Every time a start signal is supplied, the next 8-bit data must be the device address (seven bits) and a R/W bit,

followed by register address (eight bits) and register data (eight bits).

**Stop Sequence** - The stop frame is indicated by SDA going HIGH when SCL is HIGH. A stop frame frees the bus to go to another part on the same bus or to another random register address.

**Figure 6. Start and Stop Frame**

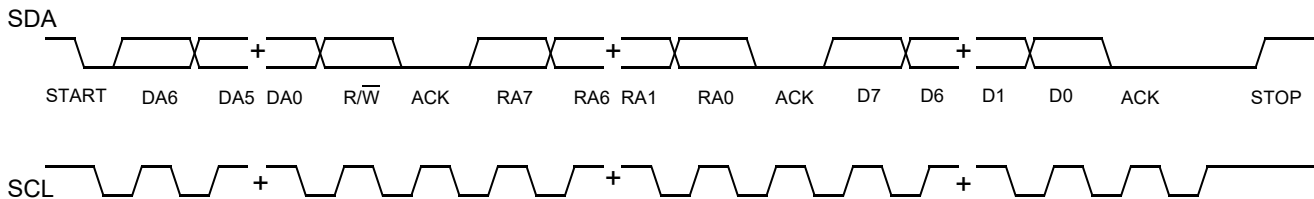


**Acknowledge Pulse**

During write mode the CY2545/CY2547 responds with an acknowledge pulse after every eight bits. Do this by pulling the SDA line LOW during the  $N \times 9^{th}$  clock cycle as illustrated in

Figure 7 (N = the number of bytes transmitted). During read mode, the master generates the acknowledge pulse after reading the data packet.

**Figure 7. Frame Format (Device Address, R/W, Register Address, Register Data)**



## Write Operations

### Writing Individual Bytes

A valid write operation must have a full 8-bit register address after the device address word from the master, which is followed by an acknowledge bit from the slave (ack = 0/LOW). The next eight bits must contain the data word intended for storage. After the data word is received, the slave responds with another acknowledge bit (ack = 0/LOW), and the master must end the write sequence with a STOP condition.

### Writing Multiple Bytes

To write multiple bytes at a time, the master does not end the write sequence with a STOP condition; instead, the master sends multiple contiguous bytes of data to be stored. After each byte, the slave responds with an acknowledge bit, the same as after the first byte, and accepts data until the STOP condition responds to the acknowledge bit. When receiving multiple bytes, the CY2545 and CY2547 internally increment the register address.

## Read Operations

Read operations are initiated the same way as write operations except that the R/W bit of the slave address is set to '1' (HIGH). There are three basic read operations: current address read, random read, and sequential read.

### Current Address Read

The CY2545 and CY2547 have an onboard address counter that retains 1 more than the address of the last word access. If the last word written or read was word 'n', then a current address

read operation returns the value stored in location 'n+1'. When the CY2545/CY2547 receive the slave address with the R/W bit set to a '1', the CY2545/CY2547 issue an acknowledge and transmit the 8-bit word. The master device does not acknowledge the transfer, but generates a STOP condition, which causes the CY2545/CY2547 to stop transmission.

### Random Read

Through random read operations, the master may access any memory location. To perform this type of read operation, first the word address must be set. This is done by sending the address to the CY2545/CY2547 as part of a write operation. After sending the word address, the master generates a START condition following the acknowledge. This terminates the write operation before any data is stored in the address, but not before the internal address pointer is set. Next, the master reissues the control byte with the R/W byte set to '1'. The CY2545/CY2547 then issue an acknowledge and transmit the 8-bit word. The master device does not acknowledge the transfer, but generates a STOP condition, which causes the CY2545/CY2547 to stop transmission.

### Sequential Read

Sequential read operations follow the same process as random reads except that the master issues an acknowledge instead of a STOP condition after transmitting the first 8-bit data word. This action increments the internal address pointer, and subsequently output of the next 8-bit data word. By continuing to issue acknowledges instead of STOP conditions, the master serially reads the entire contents of the slave device memory. When the internal address pointer points to the FFH register, after the next increment, the pointer points to the 00H register.

## Serial I<sup>2</sup>C Programming Interface Timing Specifications

Parameter	Description	Min	Max	Unit
f <sub>SCLK</sub>	Frequency of SCLK	–	400	kHz
t <sub>HD:STA</sub>	Hold time START condition	0.6	–	μs
t <sub>LOW</sub>	Low period of the SCLK clock	1.3	–	μs
t <sub>HIGH</sub>	High period of the SCLK clock	0.6	–	μs
t <sub>SU:STA</sub>	Setup time for a repeated START condition	0.6	–	μs
t <sub>HD:DAT</sub>	Data hold time	100	–	ns
t <sub>SU:DAT</sub>	Data setup time	100	–	ns
t <sub>R</sub>	Rise time	–	300	ns
t <sub>F</sub>	Fall time	–	300	ns
t <sub>SU:STO</sub>	Setup time for STOP condition	0.6	–	μs
t <sub>BUF</sub>	Bus-free time between STOP and START conditions	1.3	–	μs

### Absolute Maximum Conditions

Parameter	Description	Condition	Min	Max	Unit
V <sub>DD</sub>	Supply voltage for CY2545		-0.5	4.5	V
V <sub>DD</sub>	Supply voltage for CY2547		-0.5	2.6	V
V <sub>DD_CLK_BX</sub>	Output bank supply voltage		-0.5	4.5	V
V <sub>IN</sub>	Input voltage for CY2545	Relative to V <sub>SS</sub>	-0.5	V <sub>DD</sub> + 0.5	V
V <sub>IN</sub>	Input voltage for CY2547	Relative to V <sub>SS</sub>	-0.5	2.2	V
T <sub>S</sub>	Temperature and storage	Nonfunctional	-65	+150	°C
ESD <sub>HBM</sub>	ESD protection (human body model)	JEDEC EIA/JESD22-A114-E	2000		V
UL-94	Flammability rating	V-0 at 1/8 in.	-	10	ppm
MSL	Moisture sensitivity level			3	

### Recommended Operating Conditions

Parameter	Description	Min	Typ	Max	Unit
V <sub>DD</sub>	V <sub>DD</sub> operating voltage for CY2545	2.25	-	3.60	V
V <sub>DD</sub>	V <sub>DD</sub> operating voltage for CY2547	1.65	1.8	1.95	V
V <sub>DD_CLK_BX</sub>	Output driver voltage for bank 1, 2, and 3 for CY2545	1.43	-	3.60	V
	Output driver voltage for bank 1, 2, and 3 for CY2547	1.43	-	1.98	V
T <sub>AC</sub>	Commercial ambient temperature	0	-	+70	°C
T <sub>AI</sub>	Industrial ambient temperature	-40	-	+85	°C
C <sub>LOAD</sub>	Maximum load capacitance	-	-	15	pF
t <sub>PU</sub>	Power-up time for all V <sub>DD</sub> to reach minimum specified voltage (power ramps must be monotonic)	0.05	-	500	ms

## DC Electrical Specifications

Parameter	Description	Conditions	Min	Typ	Max	Unit
V <sub>OL</sub>	Output low voltage	I <sub>OL</sub> = 2 mA, drive strength = [00]	–	–	0.4	V
		I <sub>OL</sub> = 3 mA, drive strength = [01]				
		I <sub>OL</sub> = 7 mA, drive strength = [10]				
		I <sub>OL</sub> = 12 mA, drive strength = [11]				
V <sub>OH</sub>	Output high voltage	I <sub>OH</sub> = –2 mA, drive strength = [00]	V <sub>DD_CLK_BX</sub> – 0.4	–	–	V
		I <sub>OH</sub> = –3 mA, drive strength = [01]				
		I <sub>OH</sub> = –7 mA, drive strength = [10]				
		I <sub>OH</sub> = –12 mA, drive strength = [11]				
V <sub>OLSD</sub>	Output low voltage, SDA	I <sub>OL</sub> = 4 mA	–	–	0.4	V
V <sub>IL1</sub>	Input low voltage of PD#/OE, RST, FS, and SSON		–	–	0.2 × V <sub>DD</sub>	V
V <sub>IL2</sub>	Input low voltage of CLKIN for CY2545		–	–	0.2 × V <sub>DD</sub>	V
V <sub>IL3</sub>	Input low voltage of EXCLKIN for CY2545		–	–	0.3	V
V <sub>IL4</sub>	Input low voltage of CLKIN, EXCLKIN for CY2547		–	–	0.2 × V <sub>DD</sub>	V
V <sub>IH1</sub>	Input high voltage of PD#/OE, RST, FS, and SSON		0.8 × V <sub>DD</sub>	–	–	V
V <sub>IH2</sub>	Input high voltage of CLKIN for CY2545		0.8 × V <sub>DD</sub>	–	–	V
V <sub>IH3</sub>	Input high voltage of EXCLKIN for CY2545		1.62	–	2.2	V
V <sub>IH4</sub>	Input high voltage of CLKIN, EXCLKIN for CY2547		0.8 × V <sub>DD</sub>	–	–	V
I <sub>ILPD</sub>	Input low current of RST and PD#/OE	V <sub>IL</sub> = 0 V	–	–	10	μA
I <sub>IHPD</sub>	Input high current of RST and PD#/OE	V <sub>IH</sub> = V <sub>DD</sub>	–	–	10	μA
I <sub>ILSR</sub>	Input low current of SSON and FS	V <sub>IL</sub> = 0 V (Internal pull-down = 160 k typ)	–	–	10	μA
I <sub>IHSR</sub>	Input high current of SSON and FS	V <sub>IH</sub> = V <sub>DD</sub> (Internal pull-down = 160 k typ)	14	–	36	μA
R <sub>DN</sub>	Pull-down resistor of (CLK1-CLK8) when off, CLK6/SSON and CLK3/FS		100	160	250	kΩ
I <sub>DD</sub> <sup>[1, 2]</sup>	Supply current for CY2547	PD# = high, no load	–	20	–	mA
	Supply current for CY2545	PD# = high, no load	–	22	–	mA
I <sub>DDS</sub> <sup>[1]</sup>	Standby current	PD# = low, no load, with I <sup>2</sup> C circuit not in keep alive mode	–	3	–	μA
I <sub>PD</sub> <sup>[1]</sup>	Power-down current	PD# = low, no load, with I <sup>2</sup> C circuit in keep alive mode	–	–	1	mA
C <sub>IN</sub> <sup>[1]</sup>	Input capacitance	SSON, RST, PD#/OE or FS inputs	–	–	7	pF

**Notes**

- Guaranteed by design but not 100% tested.
- Configuration dependent.

## AC Electrical Specifications

Parameter	Description	Conditions	Min	Typ	Max	Unit
F <sub>IN</sub> (crystal)	Crystal frequency, XIN		8	–	48	MHz
F <sub>IN</sub> (clock)	Input clock frequency	Clock inputs CLKIN or EXCLKIN	8	–	166	MHz
F <sub>CLK</sub>	Output clock frequency	CY2545 (V <sub>DD_CLK_BX</sub> = 2.5 V, 3.0 V, 3.3 V) and CY2547	3	–	166	MHz
		CY2545 (V <sub>DD_CLK_BX</sub> = 1.8 V)	3	–	50	MHz
DC1	Output duty cycle, all clocks except ref out	Duty cycle is defined in <a href="#">Figure 9</a> ; t <sub>1</sub> /t <sub>2</sub> , measured 50% of V <sub>DD</sub>	45	50	55	%
DC2	Ref out clock duty cycle	Ref In Min 45%, Max 55%	40	–	60	%
T <sub>RF1</sub> <sup>[3]</sup>	Output rise/fall time	Measured from 20% to 80% of V <sub>DD_CLK_BX</sub> , as shown in <a href="#">Figure 10</a> , C <sub>LOAD</sub> = 15 pF, Drive strength [00]	–	6.8	–	ns
T <sub>RF2</sub> <sup>[3]</sup>	Output rise/fall time	Measured from 20% to 80% of V <sub>DD_CLK_BX</sub> , as shown in <a href="#">Figure 10</a> , C <sub>LOAD</sub> = 15 pF, Drive strength [01]	–	3.4	–	ns
T <sub>RF3</sub> <sup>[3]</sup>	Output rise/fall time	Measured from 20% to 80% of V <sub>DD_CLK_BX</sub> , as shown in <a href="#">Figure 10</a> , C <sub>LOAD</sub> = 15 pF, Drive strength [10]	–	2.0	–	ns
T <sub>RF4</sub> <sup>[3]</sup>	Output rise/fall time	Measured from 20% to 80% of V <sub>DD_CLK_BX</sub> , as shown in <a href="#">Figure 10</a> , C <sub>LOAD</sub> = 15 pF, Drive strength [11]	–	1.0	–	ns
T <sub>CCJ</sub> <sup>[3, 4]</sup>	Cycle-to-cycle jitter max (Pk-Pk)	Configuration dependent. See <a href="#">Configuration Example</a>	–	150	–	ps
T <sub>LOCK</sub> <sup>[3]</sup>	PLL lock time	Measured from 90% of the applied power supply level	–	1	3	ms

## Configuration Example

For C-C Jitter

Ref. Freq. (MHz)	CLK1 Output		CLK2 Output		CLK3 Output		CLK4 Output		CLK5 Output	
	Freq. (MHz)	C-C Jitter Typ (ps)	Freq. (MHz)	C-C Jitter Typ (ps)	Freq. (MHz)	C-C Jitter Typ (ps)	Freq. (MHz)	C-C Jitter Typ (ps)	Freq. (MHz)	C-C Jitter Typ (ps)
14.3181	8.0	134	166	103	48	92	74.25	81	Not used	
19.2	74.25	99	166	94	8	91	27	110	48	75
27	48	67	27	109	166	103	74.25	97	Not used	
48	48	93	27	123	166	137	166	138	8	103

### Notes

3. Guaranteed by design but not 100% tested.
4. Configuration dependent.

## Recommended Crystal Specification

For SMD Package

Parameter	Description	Range 1	Range 2	Range 3	Unit
Fmin	Minimum frequency	8	14	28	MHz
Fmax	Maximum frequency	14	28	48	MHz
R1	Motional resistance (ESR)	135	50	30	$\Omega$
C0	Shunt capacitance	4	4	2	pF
CL	Parallel load capacitance	18	14	12	pF
DL(max)	Maximum crystal drive level	300	300	300	$\mu$ W

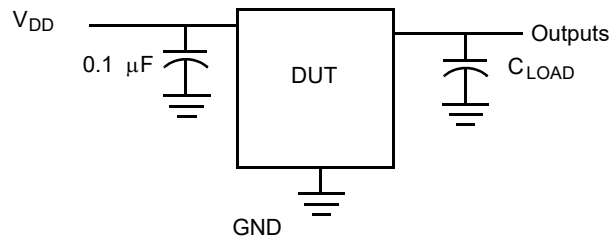
## Recommended Crystal Specification

For Thru-Hole Package

Parameter	Description	Range 1	Range 2	Range 3	Unit
Fmin	Minimum frequency	8	14	24	MHz
Fmax	Maximum frequency	14	24	32	MHz
R1	Motional resistance (ESR)	90	50	30	$\Omega$
C0	Shunt capacitance	7	7	7	pF
CL	Parallel load capacitance	18	12	12	pF
DL(max)	Maximum crystal drive level	1000	1000	1000	$\mu$ W

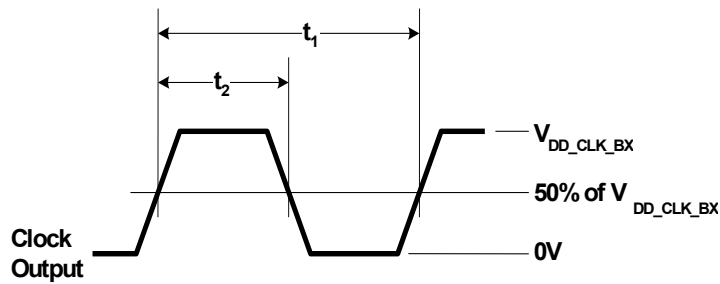
## Test and Measurement Setup

**Figure 8. Test and Measurement Setup**

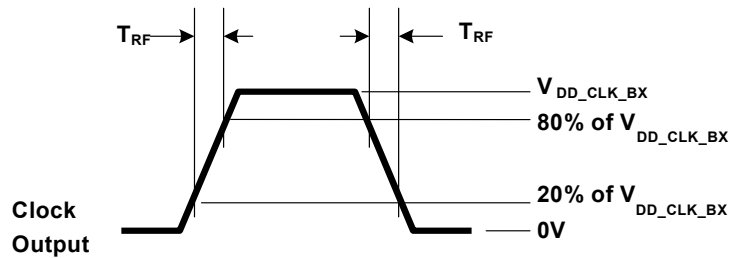


## Voltage and Timing Definitions

**Figure 9. Duty Cycle Definition**



**Figure 10. Rise Time =  $T_{RF}$  Fall Time =  $T_{RF}$**





## Ordering Information

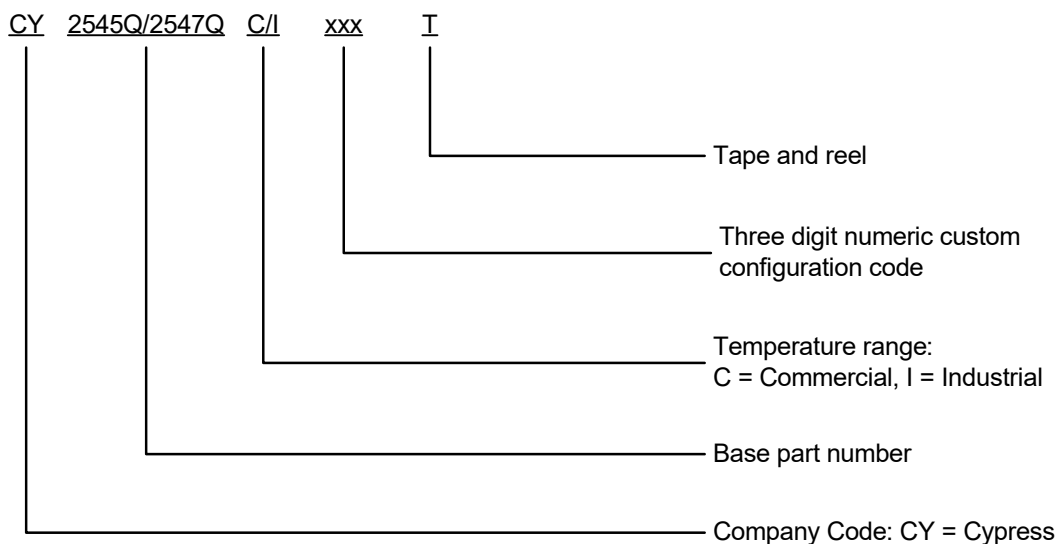
Part Number	Type	Package	Supply Voltage (V <sub>DD</sub> )	Production Flow
<b>Pb-free</b>				
CY2547QI	Field Programmable	24-pin QFN	1.8 V	Industrial, -40 °C to +85 °C
CY2547QIT	Field Programmable	24-pin QFN – Tape and Reel	1.8 V	Industrial, -40 °C to +85 °C

Products are also offered as factory programmed customer specific devices with customized part numbers. The [Possible Configurations](#) shows the available device types, but not complete part numbers. Contact your local Cypress FAE or sales representative for more information.

## Possible Configurations

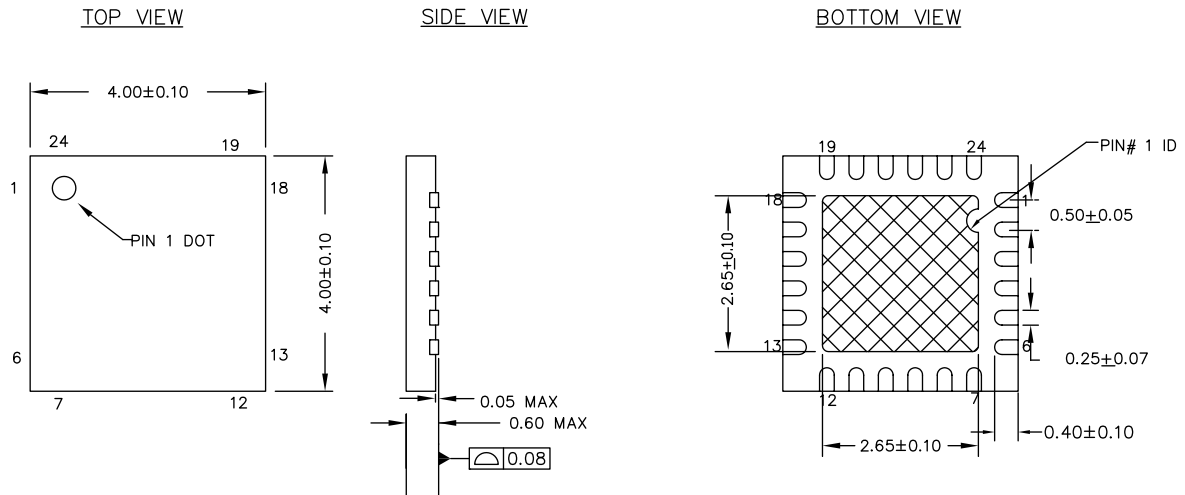
Part Number	Type	Package	Supply Voltage (V <sub>DD</sub> )	Production Flow
<b>Pb-free</b>				
CY2545QCxxx	Factory Configured	24-pin QFN	2.5 V, 3.0 V or 3.3 V	Commercial, 0 °C to +70 °C
CY2545QCxxxT	Factory Configured	24-pin QFN – Tape and Reel	2.5 V, 3.0 V or 3.3 V	Commercial, 0 °C to +70 °C
CY2547QCxxx	Factory Configured	24-pin QFN	1.8 V	Commercial, 0 °C to +70 °C
CY2547QCxxxT	Factory Configured	24-pin QFN – Tape and Reel	1.8 V	Commercial, 0 °C to +70 °C
CY2545QIxxx	Factory Configured	24-pin QFN	2.5 V, 3.0 V or 3.3 V	Industrial, -40 °C to +85 °C
CY2545QIxxxT	Factory Configured	24-pin QFN – Tape and Reel	2.5 V, 3.0 V or 3.3 V	Industrial, -40 °C to +85 °C
CY2547QIxxx	Factory Configured	24-pin QFN	1.8 V	Industrial, -40 °C to +85 °C
CY2547QIxxxT	Factory Configured	24-pin QFN – Tape and Reel	1.8 V	Industrial, -40 °C to +85 °C

## Ordering Code Definitions




### Package Diagram

Figure 11. 24-pin QFN (4 × 4 × 0.55 mm) LQ24A (2.65 × 2.65 E-Pad (Sawn)) Package Outline, 001-13937



NOTES :

1.  HATCH IS SOLDERABLE EXPOSED METAL.
2. REFERENCE JEDEC # MO-248
3. PACKAGE WEIGHT :  $29 \pm 3$  mg
4. ALL DIMENSIONS ARE IN MILLIMETERS

001-13937 \*F

## Acronyms

Table 2. Acronyms Used in this Document

Acronym	Description
EIA	Electronic Industries Alliance
ESD	Electrostatic Discharge
ESR	Equivalent Series Resistance
I <sup>2</sup> C	Inter Integrated Circuit
JEDEC	Joint Electron Device Engineering Council
PLL	Phase-Locked Loop
QFN	Quad Flat No-lead

## Document Conventions

### Units of Measure

Table 3. Units of Measure

Symbol	Units of Measure
°C	degree Celsius
kHz	kilohertz
MHz	megahertz
μA	microampere
μs	microsecond
μW	microwatt
mA	milliampere
ms	millisecond
ns	nanosecond
W	ohm
ppm	parts per million
%	percent
pF	picofarad
ps	picosecond
V	volt
W	watt

## Document History Page

Document Title: CY2545/CY2547, Quad-PLL Programmable Spread Spectrum Clock Generator with Serial I <sup>2</sup> C Interface Document Number: 001-13196				
Revision	ECN	Orig. of Change	Submission Date	Description of Change
**	870780	RGL / AESA	03/23/2007	New data sheet.
*A	1504843	RGL / AESA	10/03/2007	Replaced V <sub>DD_CORE</sub> with V <sub>DD</sub> in all instances across the document. Updated <a href="#">Serial I<sup>2</sup>C Programming Interface Timing Specifications</a> : Changed minimum value of t <sub>SU</sub> parameter from 100 ns to 250 ns. Updated <a href="#">Absolute Maximum Conditions</a> : Replaced "MIL-STD-883, Method 3015" with "JEDEC EIA/JESD22-A114-E" in "Conditions" column of ESD <sub>HBM</sub> parameter. Updated <a href="#">Recommended Operating Conditions</a> : Updated all details of V <sub>DD</sub> parameter (Combined three rows into one row for CY2545).
*B	2899681	CXQ	03/26/2010	Updated <a href="#">Ordering Information</a> : Updated part numbers. Updated <a href="#">Package Diagram</a> : spec 51-85203 – Changed revision from *A to *B.
*C	3302754	CXQ	07/05/2011	Added <a href="#">Ordering Code Definitions</a> under <a href="#">Ordering Information</a> . Added <a href="#">Acronyms and Units of Measure</a> . Updated to new template.
*D	4401186	AJU	06/06/2014	Updated <a href="#">Package Diagram</a> : spec 51-85203 – Changed revision from *B to *D. Updated to new template. Completing Sunset Review.
*E	4586478	TAVA	12/03/2014	Updated <a href="#">Functional Description</a> : Added "For a complete list of related documentation, click <a href="#">here</a> ." at the end. Updated <a href="#">Serial I<sup>2</sup>C Programming Interface Protocol and Timing</a> : Updated <a href="#">Figure 4</a> (Updated the last ACK in SDA Read-Current Address Read and SDA Read-Multiple Contiguous Registers to "NACK").
*F	5140921	TAVA	03/14/2016	Updated <a href="#">Serial I<sup>2</sup>C Programming Interface Protocol and Timing</a> : Updated <a href="#">Data Valid</a> : Updated <a href="#">Figure 5</a> . Updated <a href="#">Serial I<sup>2</sup>C Programming Interface Timing Specifications</a> : Updated all details. Updated <a href="#">Ordering Information</a> : Updated part numbers. Updated <a href="#">Ordering Code Definitions</a> . Updated <a href="#">Package Diagram</a> : Removed spec 51-85203 *D. Added spec 001-13937 *F. Updated to new template.
*G	5475518	BPIN	10/14/2016	Updated <a href="#">Ordering Information</a> : Updated part numbers. Updated to new template.

**Document History Page** (continued)

Document Title: CY2545/CY2547, Quad-PLL Programmable Spread Spectrum Clock Generator with Serial I <sup>2</sup> C Interface Document Number: 001-13196				
Revision	ECN	Orig. of Change	Submission Date	Description of Change
*H	5778174	PSR	06/19/2017	Updated <a href="#">Features</a> : Added one-time programmability. Updated <a href="#">Pin Definitions</a> : Updated details in "Description" column corresponding to pin numbers 2, 6, 11, 13, 17, and 20. Updated <a href="#">Pin Definitions</a> : Updated details in "Description" column corresponding to pin numbers 2, 6, 11, 13, 17, and 20. Updated <a href="#">Functional Overview</a> : Added <a href="#">Output Driver Supply and Multi-Function Input Restriction</a> . Updated to new template.
*I	5955034	XHT	11/02/2017	Updated <a href="#">DC Electrical Specifications</a> : Updated details in "Max" column corresponding to $V_{IL2}$ , $V_{IL3}$ , and $V_{IL4}$ parameters. Updated details in "Min" column corresponding to $V_{IH2}$ , and $V_{IH4}$ parameters. Updated to new template.

## Sales, Solutions, and Legal Information

### Worldwide Sales and Design Support

Cypress maintains a worldwide network of offices, solution centers, manufacturers' representatives, and distributors. To find the office closest to you, visit us at [Cypress Locations](#).

#### Products

ARM <sup>®</sup> Cortex <sup>®</sup> Microcontrollers	<a href="http://cypress.com/arm">cypress.com/arm</a>
Automotive	<a href="http://cypress.com/automotive">cypress.com/automotive</a>
Clocks & Buffers	<a href="http://cypress.com/clocks">cypress.com/clocks</a>
Interface	<a href="http://cypress.com/interface">cypress.com/interface</a>
Internet of Things	<a href="http://cypress.com/iot">cypress.com/iot</a>
Memory	<a href="http://cypress.com/memory">cypress.com/memory</a>
Microcontrollers	<a href="http://cypress.com/mcu">cypress.com/mcu</a>
PSoC	<a href="http://cypress.com/psoc">cypress.com/psoc</a>
Power Management ICs	<a href="http://cypress.com/pmic">cypress.com/pmic</a>
Touch Sensing	<a href="http://cypress.com/touch">cypress.com/touch</a>
USB Controllers	<a href="http://cypress.com/usb">cypress.com/usb</a>
Wireless Connectivity	<a href="http://cypress.com/wireless">cypress.com/wireless</a>

#### PSoC<sup>®</sup> Solutions

[PSoC 1](#) | [PSoC 3](#) | [PSoC 4](#) | [PSoC 5LP](#) | [PSoC 6](#)

#### Cypress Developer Community

[Forums](#) | [WICED IOT Forums](#) | [Projects](#) | [Video](#) | [Blogs](#) | [Training](#) | [Components](#)

#### Technical Support

[cypress.com/support](http://cypress.com/support)

---

© Cypress Semiconductor Corporation, 2007–2017. This document is the property of Cypress Semiconductor Corporation and its subsidiaries, including Spansion LLC ("Cypress"). This document, including any software or firmware included or referenced in this document ("Software"), is owned by Cypress under the intellectual property laws and treaties of the United States and other countries worldwide. Cypress reserves all rights under such laws and treaties and does not, except as specifically stated in this paragraph, grant any license under its patents, copyrights, trademarks, or other intellectual property rights. If the Software is not accompanied by a license agreement and you do not otherwise have a written agreement with Cypress governing the use of the Software, then Cypress hereby grants you a personal, non-exclusive, nontransferable license (without the right to sublicense) (1) under its copyright rights in the Software (a) for Software provided in source code form, to modify and reproduce the Software solely for use with Cypress hardware products, only internally within your organization, and (b) to distribute the Software in binary code form externally to end users (either directly or indirectly through resellers and distributors), solely for use on Cypress hardware product units, and (2) under those claims of Cypress's patents that are infringed by the Software (as provided by Cypress, unmodified) to make, use, distribute, and import the Software solely for use with Cypress hardware products. Any other use, reproduction, modification, translation, or compilation of the Software is prohibited.

TO THE EXTENT PERMITTED BY APPLICABLE LAW, CYPRESS MAKES NO WARRANTY OF ANY KIND, EXPRESS OR IMPLIED, WITH REGARD TO THIS DOCUMENT OR ANY SOFTWARE OR ACCOMPANYING HARDWARE, INCLUDING, BUT NOT LIMITED TO, THE IMPLIED WARRANTIES OF MERCHANTABILITY AND FITNESS FOR A PARTICULAR PURPOSE. To the extent permitted by applicable law, Cypress reserves the right to make changes to this document without further notice. Cypress does not assume any liability arising out of the application or use of any product or circuit described in this document. Any information provided in this document, including any sample design information or programming code, is provided only for reference purposes. It is the responsibility of the user of this document to properly design, program, and test the functionality and safety of any application made of this information and any resulting product. Cypress products are not designed, intended, or authorized for use as critical components in systems designed or intended for the operation of weapons, weapons systems, nuclear installations, life-support devices or systems, other medical devices or systems (including resuscitation equipment and surgical implants), pollution control or hazardous substances management, or other uses where the failure of the device or system could cause personal injury, death, or property damage ("Unintended Uses"). A critical component is any component of a device or system whose failure to perform can be reasonably expected to cause the failure of the device or system, or to affect its safety or effectiveness. Cypress is not liable, in whole or in part, and you shall and hereby do release Cypress from any claim, damage, or other liability arising from or related to all Unintended Uses of Cypress products. You shall indemnify and hold Cypress harmless from and against all claims, costs, damages, and other liabilities, including claims for personal injury or death, arising from or related to any Unintended Uses of Cypress products.

Cypress, the Cypress logo, Spansion, the Spansion logo, and combinations thereof, WICED, PSoC, CapSense, EZ-USB, F-RAM, and Traveo are trademarks or registered trademarks of Cypress in the United States and other countries. For a more complete list of Cypress trademarks, visit [cypress.com](http://cypress.com). Other names and brands may be claimed as property of their respective owners.