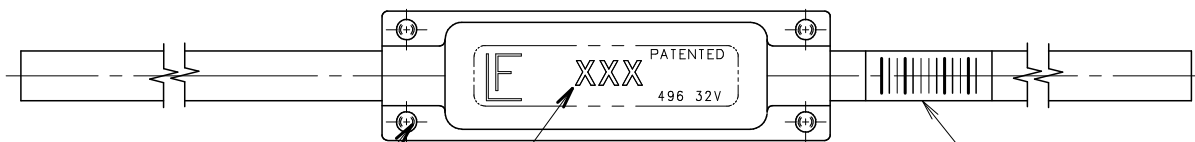
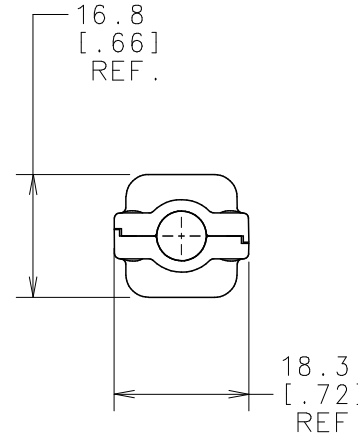
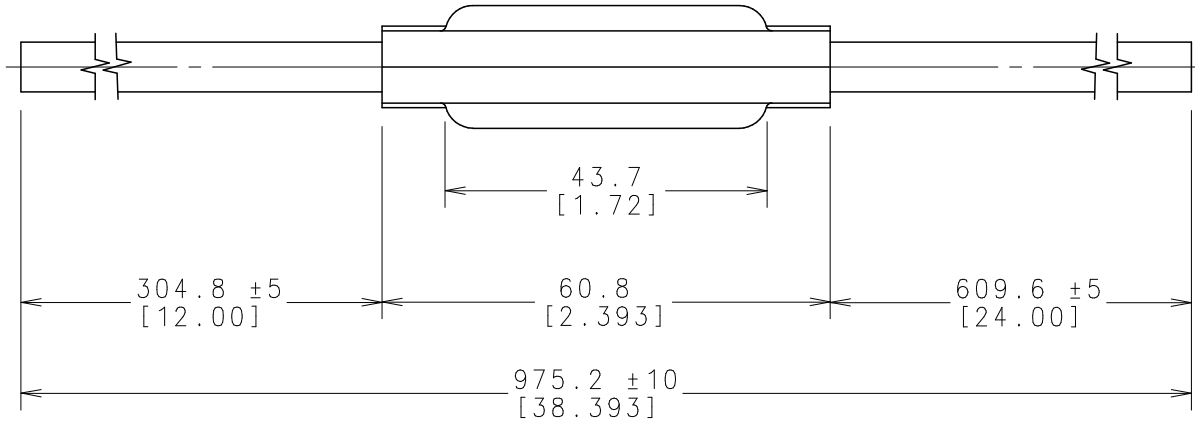


PART NUMBER	CURRENT RATING (A)	WIRE SIZE	NOM. COLD RESISTANCE (mΩ)*	TYP. VOLTAGE DROP AT RATED CURRENT (mV)*
0496060.Z	60	5mm ² (10AWG)	1.770	132.8
0496080.Z	80	8mm ² (8AWG)	1.188	117.0
0496100.Z	100	8mm ² (8AWG)	0.937	119.9
0496125.Z	125	13mm ² (6AWG)	0.697	104.6
0496150.Z	150	19mm ² (4AWG)	0.555	102.1
0496175.Z	175	19mm ² (4AWG)	0.473	105.4
0496200.Z	200	19mm ² (4AWG)	0.374	97.6

*NOMINAL COLD RESISTANCE AND TYPICAL VOLTAGE DROP AT RATED CURRENT DATA WAS MEASURED ON TEST SAMPLES AT THE ENDS OF TWO 80.0mm(3.15") CABLES.



RIVETS (4X)

WHITE HOT STAMP ONE SIDE (SEE CHART)

BAR CODE OR DATE CODE (SEE NOTES)

% OF RATING	OPENING TIME	
	MINIMUM	MAXIMUM
100	100 HRS.	-
135	120 S	1800 S
200	10 S	300 S
350	1 S	15 S
600	0.3 S	5 S

NOTES:

INTERRUPT RATING: 2000A @ 32VDC
 VOLTAGE RATING: 32VDC
 TEMP. RANGE: -40°C - 125°C

CABLE TYPE: XLPE, SAE J1127, STX (4AWG & 6AWG);
 XLPE, SAE J1128, GXL (8AWG);
 XLPE, SAE J1128, TXL (10AWG)

SPECIFICATION: MEETS LITTELFUSE'S VS-006013 SPECIFICATION

APPLICATION: DESIGNED FOR UNDERHOOD INSTALLMENT.

BAR CODE OR DATE CODE:

THE BAR CODE OR DATE CODE IS USED FOR LOT TRACEABILITY. IT IS LOCATED ON ONE OF THE CABLE LEADS.

NO	COMPONENT NO	DESCRIPTION	QTY/M	U/M
BILL OF MATERIAL				
COPIES TO		MATL SPEC	FINISH	
1	9	DRW BJJ	DATE 1/30/01	SCALE FULL
2	10	CHK	DATE	SUPER DRW
3	12	APPD	DATE	FINISH GOOD WT GRAMS/PIECE
4	13			TOLERANCE UNLESS OTHERWISE SPECIFIED
5	14			TWO PLACE DEC ±.25[.01] FRACTION ±
6	15			THREE PLACE DEC ±.100[.004] ANGULAR ±1°
7	16			
8	17			
9	18			
10	19			
11	20			
12	21			
13	22			
14	23			
15	24			
16	25			
17	26			
18	27			
19	28			
20	29			
21	30			
22	31			
23	32			
24	33			
25	34			
26	35			
27	36			
28	37			
29	38			
30	39			
31	40			
32	41			
33	42			
34	43			
35	44			
36	45			
37	46			
38	47			
39	48			
40	49			
41	50			
42	51			
43	52			
44	53			
45	54			
46	55			
47	56			
48	57			
49	58			
50	59			
51	60			
52	61			
53	62			
54	63			
55	64			
56	65			
57	66			
58	67			
59	68			
60	69			
61	70			
62	71			
63	72			
64	73			
65	74			
66	75			
67	76			
68	77			
69	78			
70	79			
71	80			
72	81			
73	82			
74	83			
75	84			
76	85			
77	86			
78	87			
79	88			
80	89			
81	90			
82	91			
83	92			
84	93			
85	94			
86	95			
87	96			
88	97			
89	98			
90	99			
91	100			

REVISION M
 DRAWG. NO. 0496000.Z
 OUTLINE

LITTELFUSE
 DES PLAINES, ILLINOIS 60016

LTR	REVISION	CHK	APD
A	60478 - RELEASED 1/30/01 BJJ		
B	81147D-ADD T/C GATES, NOTE & 80A-175A 2/15/01 PJM		
C	81612D-CHG 60.5 TO 60.8 10/09/01 PJM		
D	81775D-CORRECT SPELLING OF "LITTELFUSE" 12/13/01 PJM		
E	60790 - RELEASED 60A 02/25/02 PJM		
F	82217D-CHG 19mm(4AWG) TO 13mm(6AWG) 6/6/02 PJM		
G	82373B-CHG TOL. ADD 1.770 & 132.8 TO CHT 7/31/02 PJM		
H	82654D-CHG 13mm TO 19mm 11/26/02 PJM		
J	82978D-ADD PT #'S TO CHAR ADD LEAD & OVERALL L 4/2/03		
K	83705-ADD BAR CODE 5/25/05		
L	83865-ADD BAR CODE OR BAR CODE 8/25/05 DHM		
M	0009-DATE CABLE TYPE 12/20/05 JU		

UNLESS OTHERWISE SPECIFIED, DIMENSIONS ARE IN MILLIMETERS. DIMENSIONS IN BRACKETS [] ARE INCHES
 UNLESS OTHERWISE SPECIFIED, DIMENSIONS DO NOT INCLUDE PLATING.
 DENOTES CRITICAL CHARACTERISTICS.
 DENOTES CPK DIMENSIONS, -MINIMUM CPK VALUE
 DENOTES A CHARACTERISTIC THAT PROVIDES AN INDICATION OF PROCESS PERFORMANCE PROCEDURE FOR MEASUREMENT AND TRACKING TO BE DEFINED IN LITTELFUSE INSPECTION INSTRUCTIONS.
 DENOTES CP DIMENSIONS, -MINIMUM CP VALUE SHALL BE WITHIN THE DIMENSIONAL LIMITATIONS SPECIFIED ON DRAWING AND INITIALLY LOCATED TO A PART FOR MAXIMUM TOOL LIFE.

UNCONTROLLED DOCUMENT