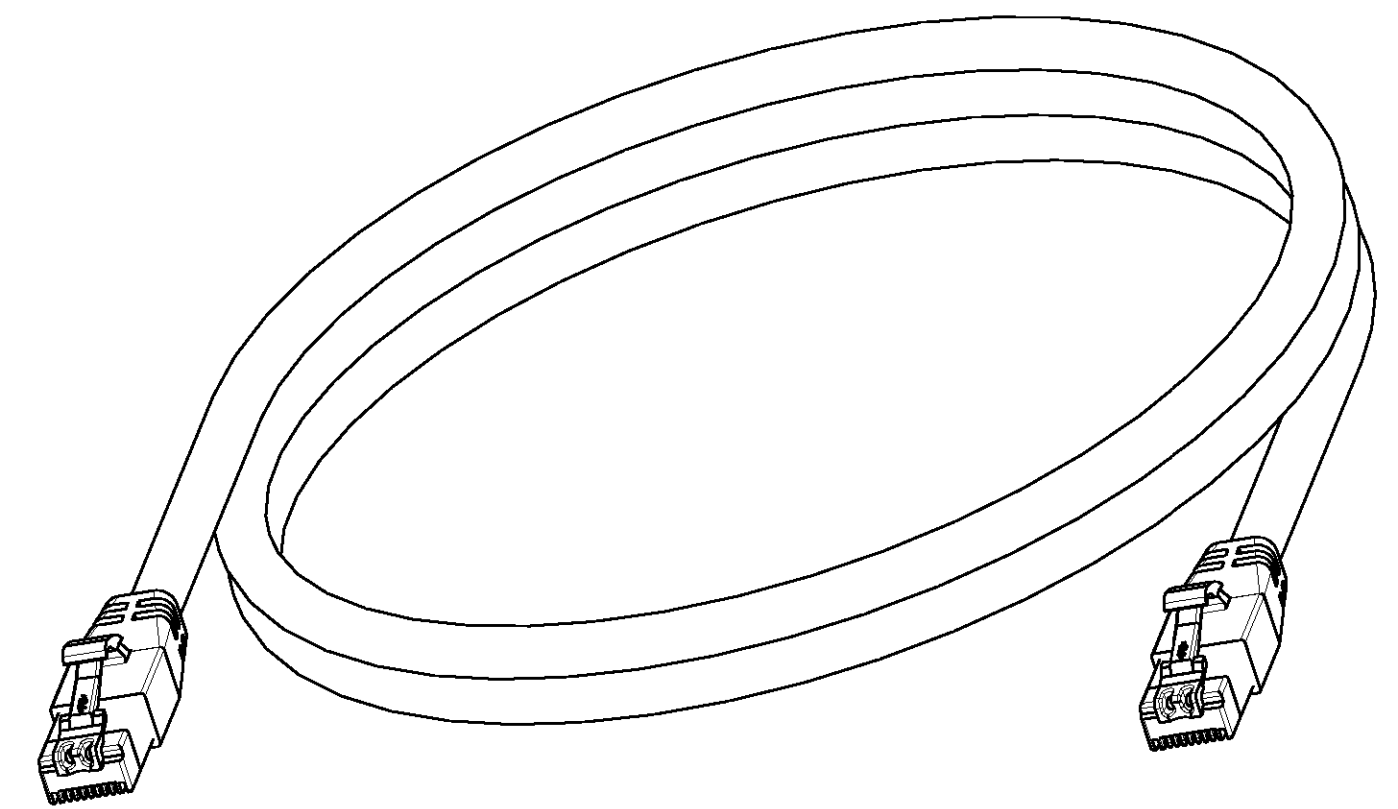
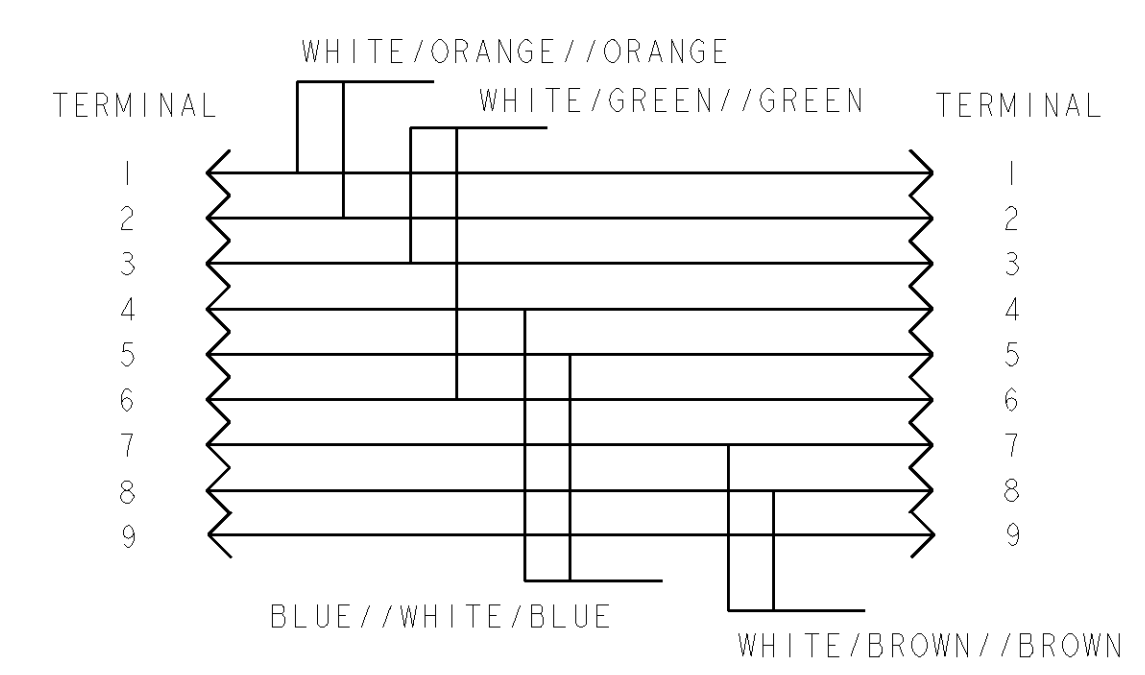
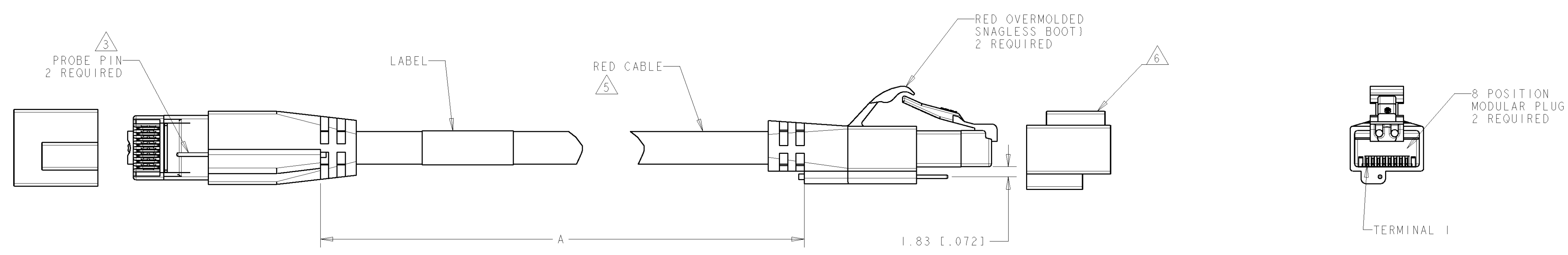


LOC	DIST	REVISIONS			
P	LTR	DESCRIPTION	DATE	DWN	APVD
E		REV: EC 0B60-0118-04	28DEC2004	GG	MD



- ① CABLE ASSEMBLY SHALL BE WIRED PER WIRING DIAGRAM.
- 2. FINAL ASSEMBLY SHALL BE 568B COMPLIANT.
- ③ PROBE PINS ARE CONNECTED BY 9TH WIRE IN CABLE.
- ④ DIMENSIONS ARE MAXIMUM.
- ⑤ CABLE OUTSIDE DIAMETER IS 6.7 MM NOMINAL AND FOR REFERENCE ONLY.
- ⑥ PROTECTIVE CAPS TO BE REMOVED PRIOR TO MATING WITH MODULAR JACK, SHIPPED WITH CAPS INSTALLED.



① WIRING DIAGRAM 568B

25	7874.0 [310.00]	2-1435862-5
16	5130.8 [202.00]	1-1435862-6
14	4521.2 [178.00]	1-1435862-4
10	3251.2 [128.00]	1-1435862-0
9	2895.6 [114.00]	1435862-9
7	2286.0 [90.00]	1435862-7
5	1676.4 [66.00]	1435862-5
4	1371.6 [54.00]	1435862-4
3	1066.8 [42.00]	1435862-3
2	762.0 [30.00]	1435862-2
FEET, REF		PART NO.

DIMENSIONS: MM [INCH]		TOLERANCES UNLESS OTHERWISE SPECIFIED: 0 PLC ± 1 PLC ± 2 PLC ± 3 PLC ± 4 PLC ± ANGLES ± FINISH ±		DWN: L. HALL 05FEB04 ENR: M. DELPHIAS 06FEB04 APVD: M. DELPHIAS 06FEB04		Tyco Electronics Harrisburg, Pa., 17105-3608	
MATERIAL: - FINISH: -		WEIGHT: - CUSTOMER DRAWING		NAME: PATCH CORD, AMPTRAC CATEGORY 6, NON-PLENUM, RED W/RED BOOTS PRODUCT SPEC: - APPLICATION SPEC: -		SIZE: A   00779   C=1435862 SCALE: NTS   SHEET: 1   OF: 1   REV: E	