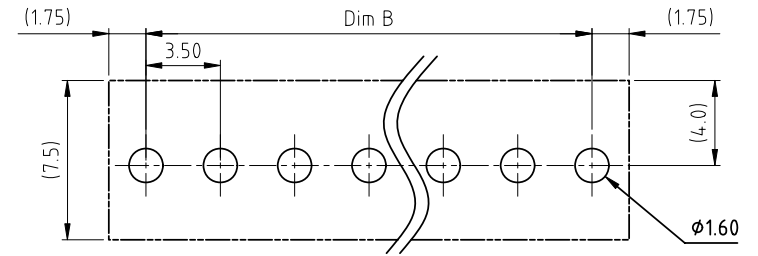
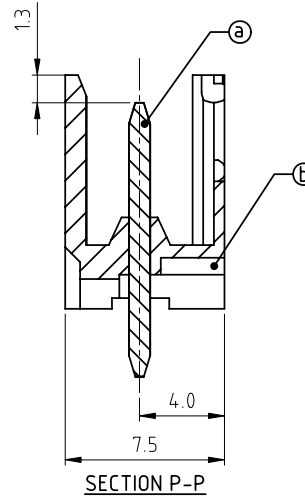
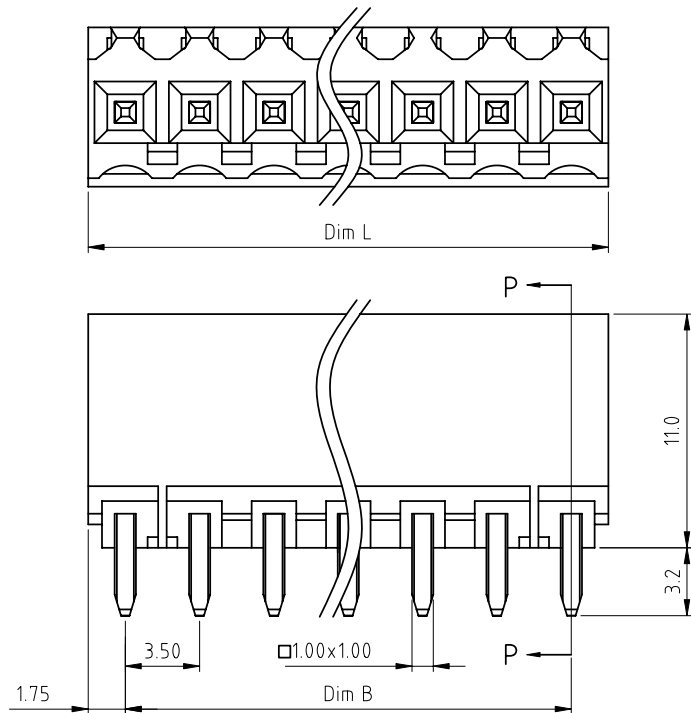


PRODUCT NUMBER	PITCH
ELxx11x200J0G	3.50 mm



RECOMMENDED P.C.B LAYOUT
TOP VIEW

Material:

- Item Ⓐ Male contact pin: Copper, Tin plated.
- Item Ⓑ Terminal (housing): Thermoplastic (UL94 V-0)

Electrical cULus

- Voltage rating: 300V
- Current rating: 10A
- Withstanding Voltage: 1.6KV
- Operating temperature: -40°C to +115°C
- Soldering temperature: 260°C±5°C/5Sec
- Safety Approval:

DIMENSION

Dim L	N×3.50
Dim B	(N-1)×3.50

N= Number of poles

Poles	Tolerance
2p-6p	±0.15
7p-12p	±0.20
13p-18p	±0.25
19p-24p	±0.30

PART NO.: EL xx 11 x 2 00J0 G

Solid block	No. of poles	Color	RoHS compliant (lead<4%) In copper Alloy
0	2	Black (RAL9005)	
02	3	Red (RAL3001/D)	
03	4	Orange(RAL2011/P)	
...	...	Yellow(RAL1018/A)	
24	5	Green(RAL6018/T)	
	6	Blue (RAL5015/A)	
	8	Grey(RAL7035/D)	
	9	White(RAL1102)	
	C	Green(RAL6018/U)	

mat'l. code		surface ASME Y14.5	tolerance ASME Y14.5	projection	product family
ltr ecn no dr date		tolerances unless otherwise specified			TERMINAL BLOCK
		angles	X.±0.5	MM	title
		fil	X.X±0.3		TERMINAL BLOCK
		X*±1*	X.XX±0.1	scale	PLUGGABLE SOCKET, OPEN VERTICAL, DIP TYPE
		dr	EVIN ZHONG 042214		dwg no
		enr	EVIN ZHONG 042214		sheet 1 of 1 size
		chr	HANKE FENG 042214		ELxx11x200J0G
		appd	SHI JUN 042214		A4
sheet index	revision sheet	A	1		type CUSTOMER Drawing