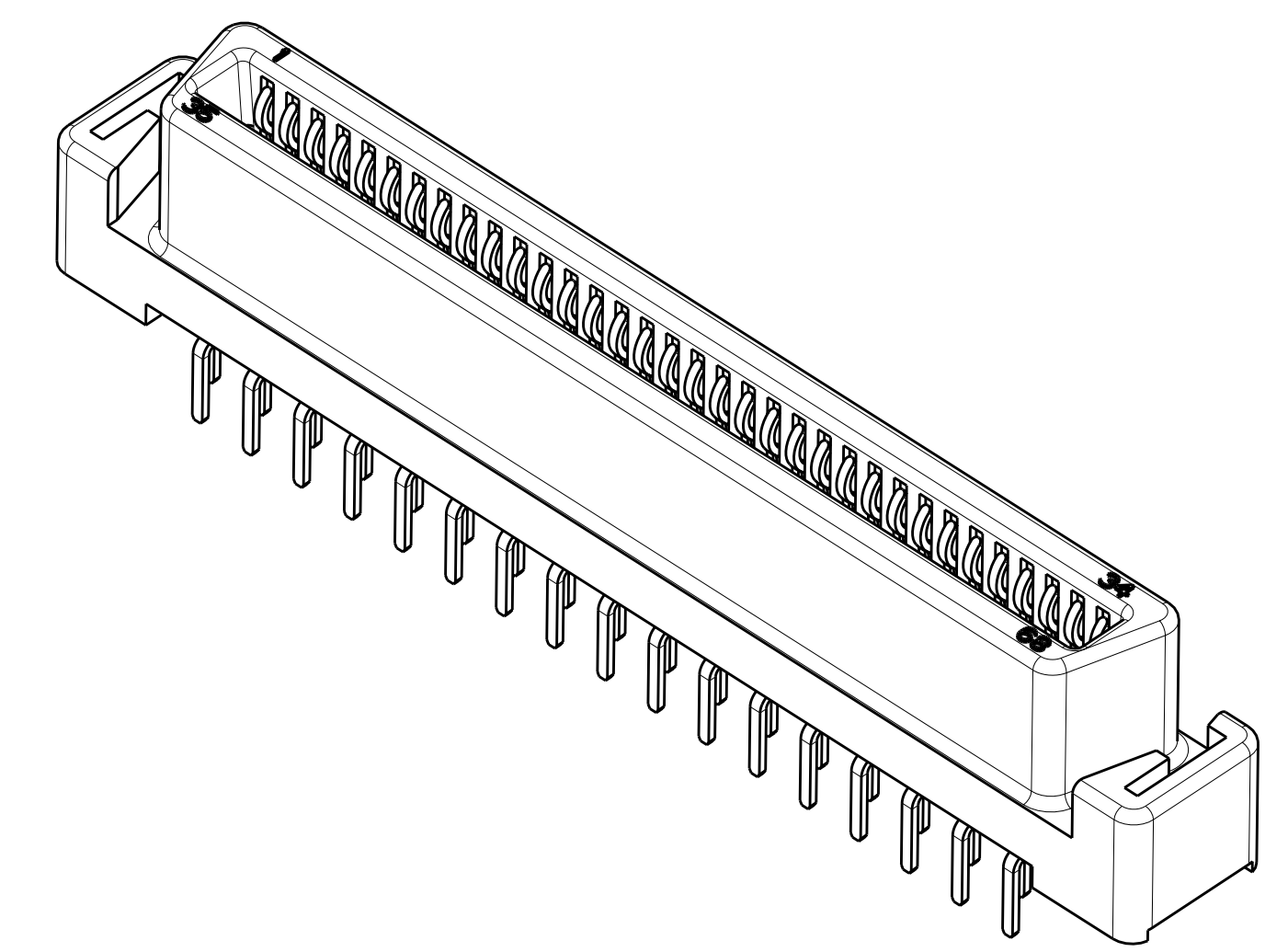
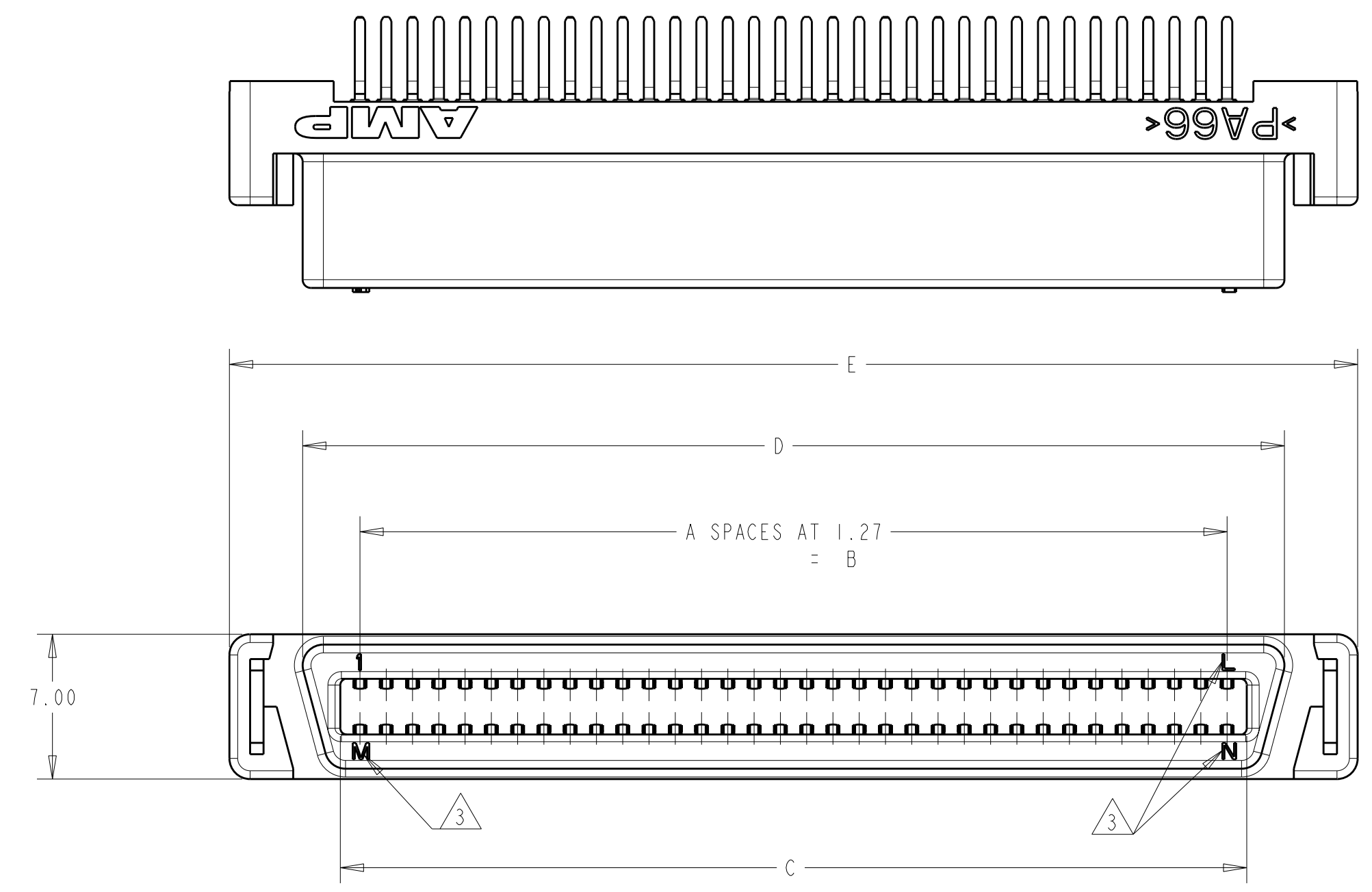
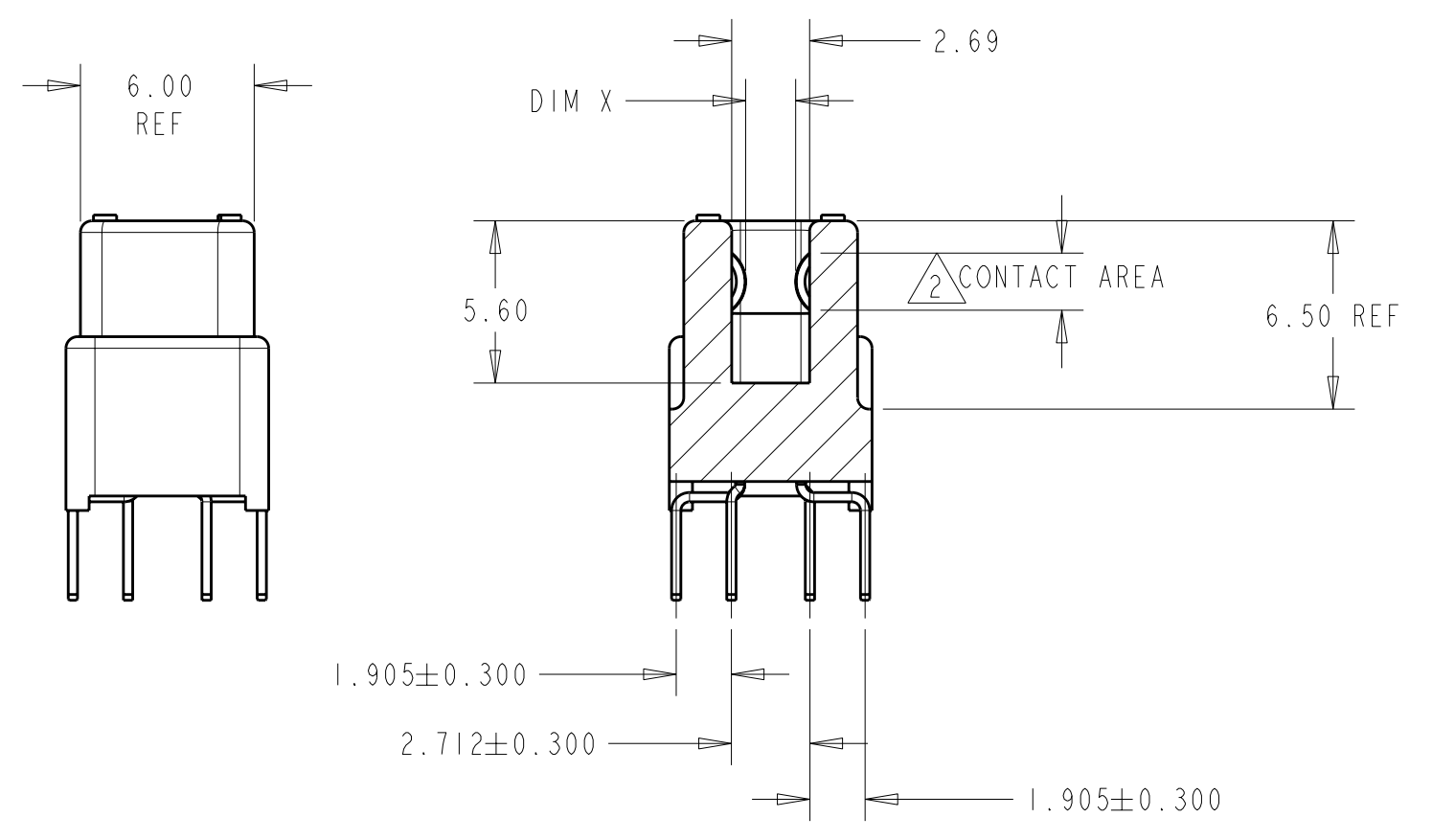
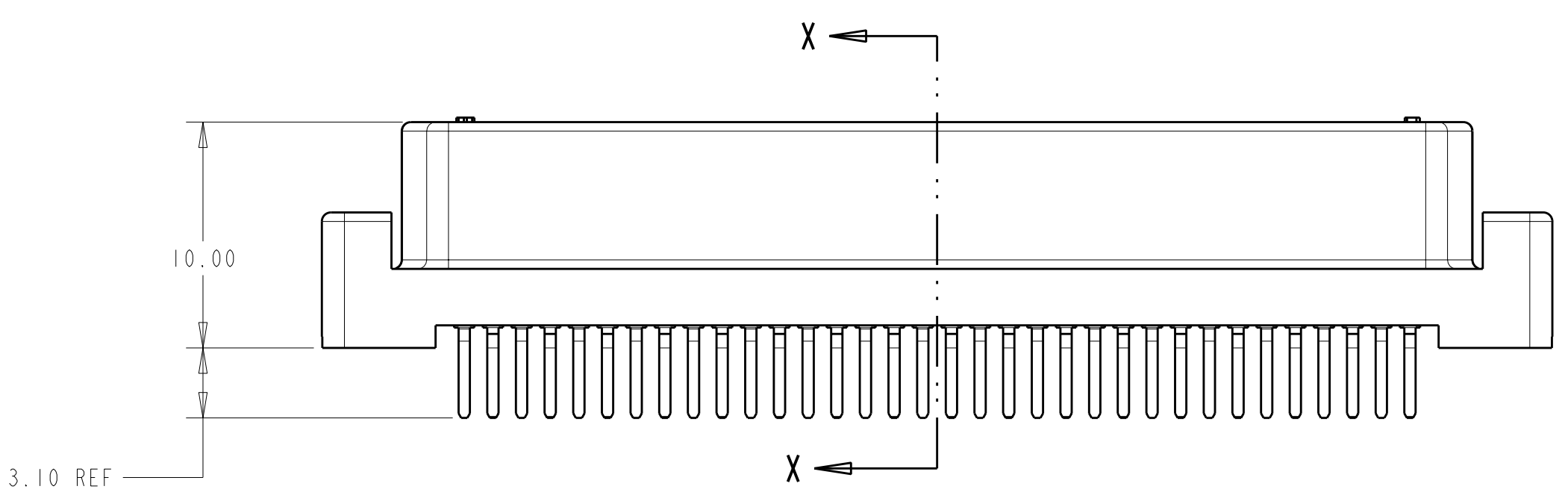


LOC		DIST		REVISIONS			
AD	00	P	LTH	DESCRIPTION	DATE	DWN	APVD
		A		ECO-07-018183	25SEP2007	RB	MM

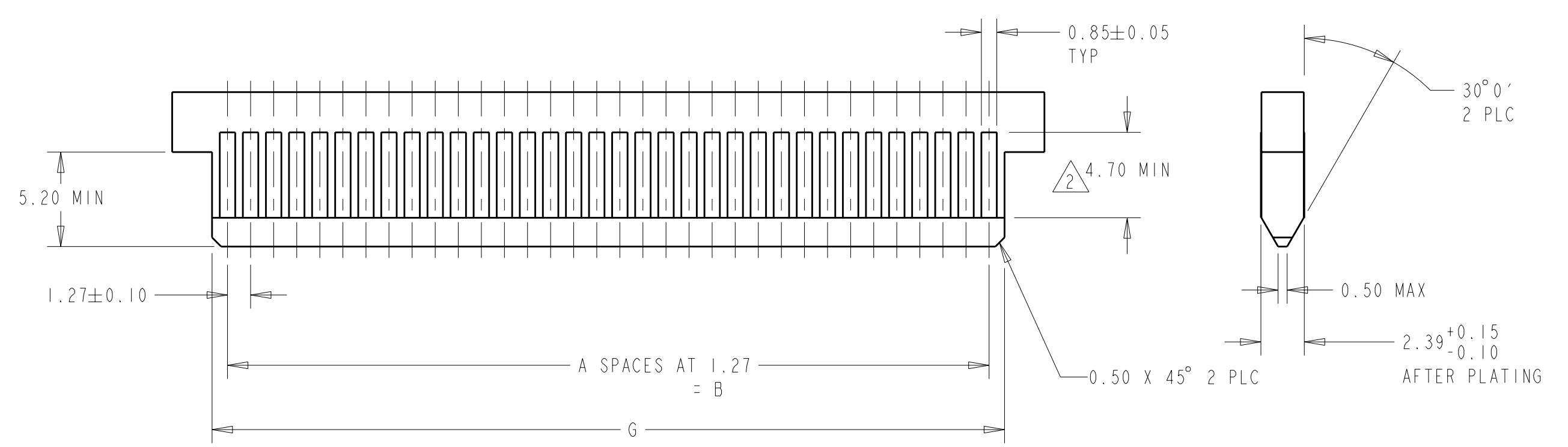
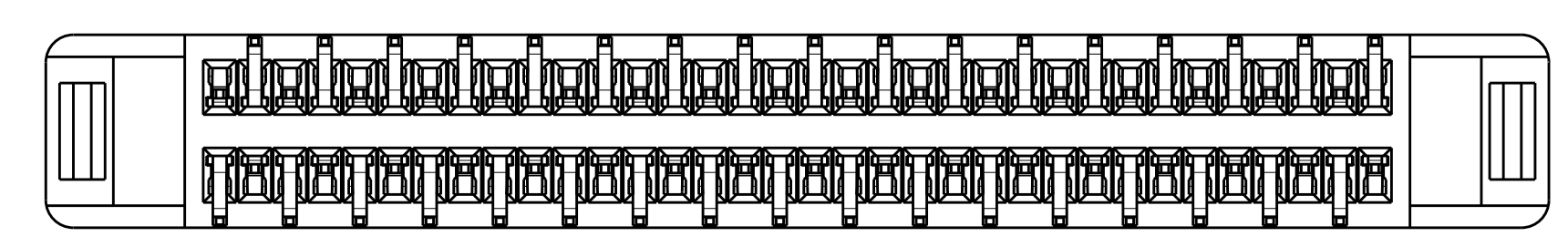


SCALE 4:1

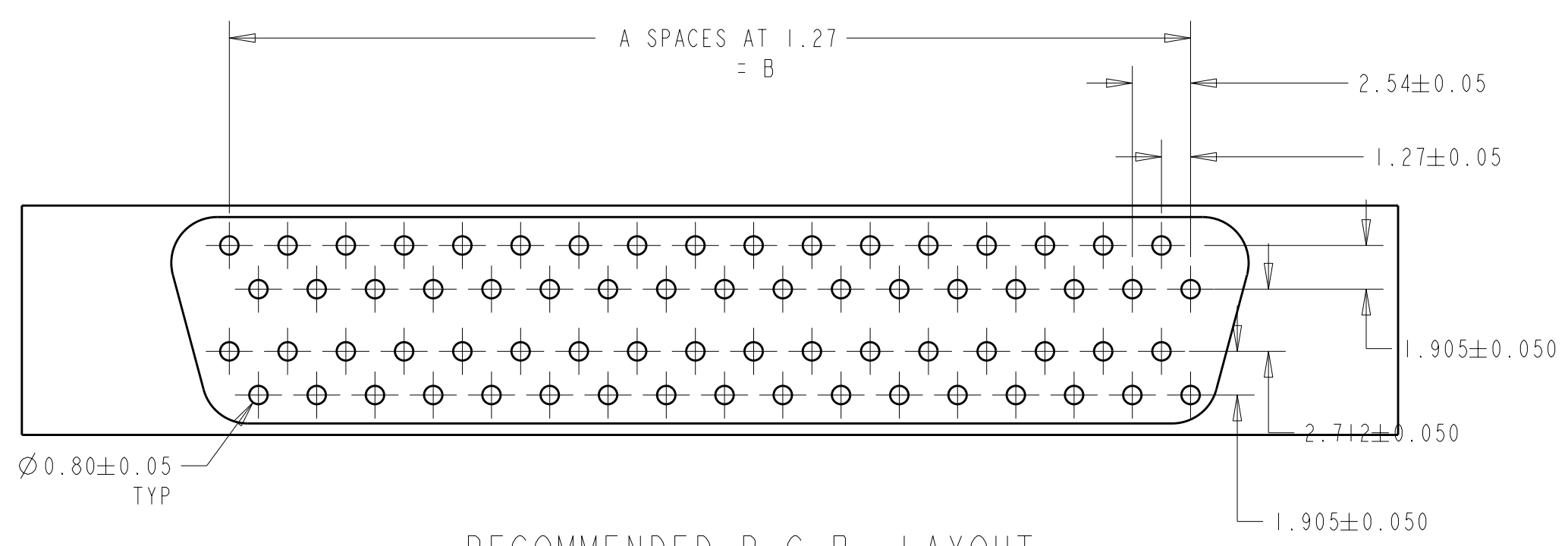


SECTION X-X

- 1 MATERIAL: HOUSING, 6/6 NYLON, 25% GLASS, UL 94V-0, COLOR: BLACK
CONTACT: PHOSPHOR BRONZE
- 2 FINISH: CONTACTS, 0.76 μm GOLD IN CONTACT AREA,
TIN-LEAD ON SOLDER TAILS ALL OVER NICKEL
PCB PAD (CARD-EDGE), 1.5μm GOLD OVER NICKEL
- 3 REFER TO TABLE FOR CIRCUIT IDENTIFICATION NUMBERS "L", "M" AND "N".
- 4 MATERIAL: HOUSING, 6/6 NYLON, 25% GLASS, UL 94V-0, COLOR: BLACK
CONTACT: BeCu
- 5 PRELIMINARY PART - NOT RELEASES FOR PRODUCTION



RECOMMENDED P.C.B. LAYOUT (CARD EDGE)



RECOMMENDED P.C.B. LAYOUT (CONNECTOR MOUNT SIDE)

4	5	0.864	100	51	50	63.93	74.85	67.77	64.81	62.23	49	100	1445444-4
		0.864	68	35	34	43.61	54.53	47.45	43.81	41.91	33	68	1445444-3
		1.73	100	51	50	63.93	74.85	67.77	64.13	62.23	49	100	1445444-2
		1.73	68	35	34	43.61	54.53	47.45	43.81	41.91	33	68	1445444-1
X	N	M	L	G	E	D	C	B	A	NO OF POS.			PART NUMBER

THIS DRAWING IS UNPUBLISHED. RELEASED FOR PUBLICATION. THIS IS SUBJECT TO CHANGE WITHOUT NOTICE AND WITHOUT OBLIGATION. SHOULD BE CONTACTED FOR THE LATEST REVISION.

DIMENSIONS: mm
 TOLERANCES UNLESS OTHERWISE SPECIFIED:
 9 PLC ±
 5 PLC ±0.13
 4 PLC ±
 ANGLES ±
 MATERIAL: 1
 FINISH: 2

DWN: D. FABIAN, 30MAR2007
 CHK: -
 APVD: -
 NAME: -
 PRODUCT SPEC: 108-2068
 APPLICATION SPEC: -
 WEIGHT: -
 CUSTOMER DRAWING

Tyco Electronics
 Harrisburg, PA 17105-3608
 NAME: RECEPTACLE, VERTICAL CARD EDGE CONNECTOR
 SIZE: A1
 CAGE CODE: 00779
 DRAWING NO: 1445444
 RESTRICTED TO: -
 SCALE: 3:1
 SHEET: 1 OF 1
 REV: A