

PART NUMBER 127-0692-001	ITEM ① BODY BERYLLIUM COPPER GOLD PL .00005 MIN OVER NICKEL PL .00005 MIN OVER COPPER PL .00005 MIN	ITEM ② CONTACT BERYLLIUM COPPER GOLD PL .00005 MIN OVER NICKEL PL .00005 MIN OVER COPPER PL .00005 MIN	ITEM ③ INSULATOR TEFLON	ITEM ④ ANTI-ROCK RING BERYLLIUM COPPER GOLD PL .00003 MIN OVER NICKEL PL .00005 MIN OVER COPPER PL .00005 MIN	ITEM ⑤ CABLE STOP TORLON
-----------------------------	--	---	-------------------------------	--	--------------------------------

DRAWING NO.
C - 127-0692-001/010

0 REVISIONS

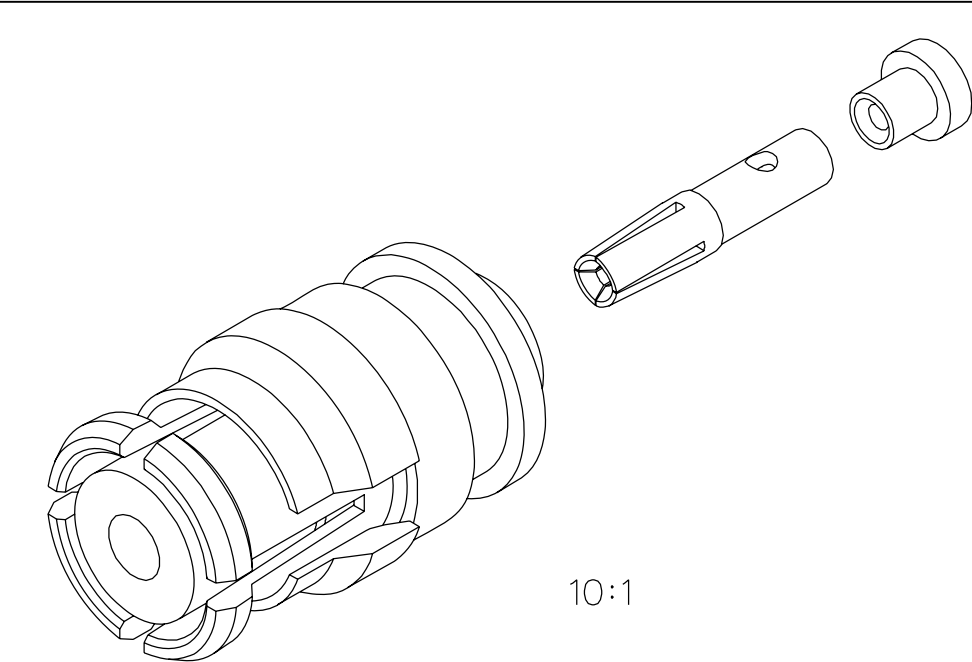
ENGINEERING RELEASE

1	8-13-07	PAT	JRK	PDW	JCN	8-16-07	ECN 51142
---	---------	-----	-----	-----	-----	---------	-----------

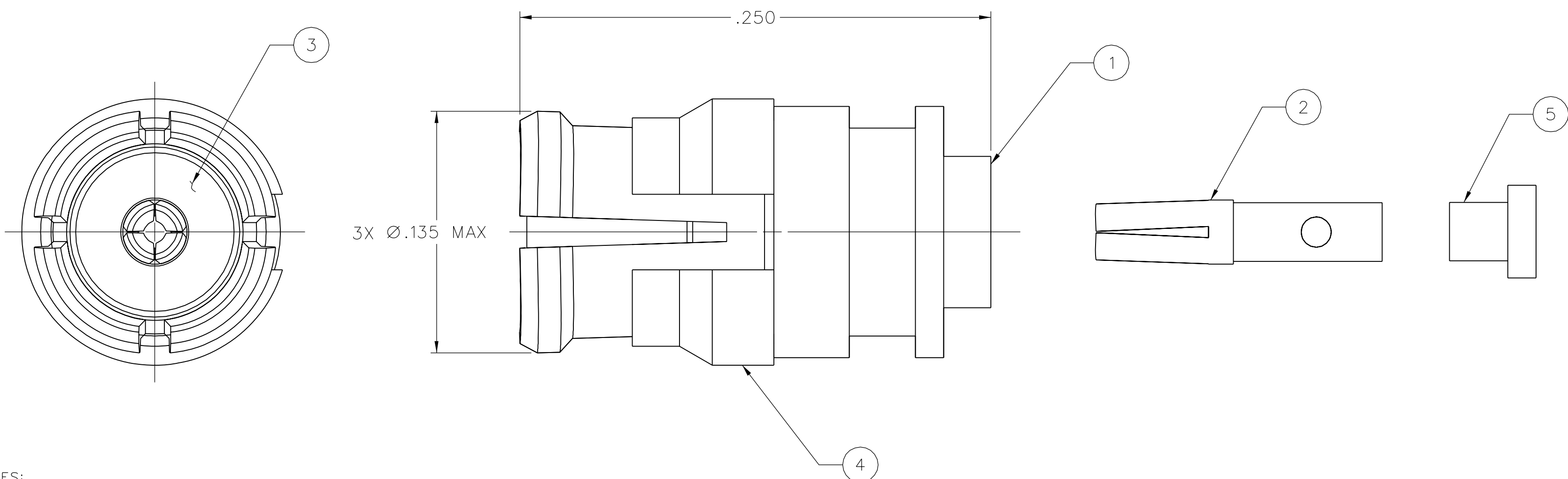
UPDATED CONTACT RETENTION FORCE NOT APPLICABLE WAS 1.5 LBS MIN AXIAL FORCE

* REVISION NUMBER FOLLOWED BY AN ALPHA *
* CHARACTER INDICATES DRAWING CLARIFICATION OR PART NUMBER ADDITION ONLY. *

1a	12-20-07	PAT	JRK	MJB	URB	1-2-08	ECN 51332
----	----------	-----	-----	-----	-----	--------	-----------



10:1



NOTES:

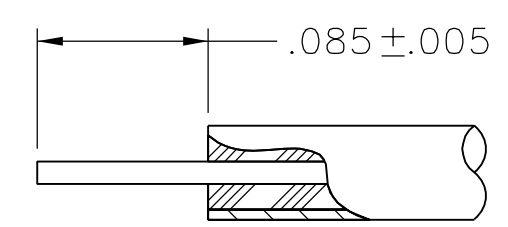
- SPECIFICATIONS:
 - IMPEDENCE: 50 OHMS NOMINAL
 - FREQUENCY RANGE: 0-40 GHz
 - VSWR: 1.20 MAX (0-18 GHz)
 - 1.35 MAX (18-26.5 GHz)
 - 1.70 MAX (26.5-40 GHz)
 - WORKING VOLTAGE: 335 VRMS MAX AT SEA LEVEL
 - DIELECTRIC WITHSTANDING VOLTAGE: 500 VRMS MIN AT SEA LEVEL
 - INSULATION RESISTANCE: 5000 MEGOHM MIN
 - CONTACT RESISTANCE:
 - CENTER CONTACT - INITIAL 6.0 MILLIOHM MAX, AFTER ENVIRONMENTAL NOT APPLICABLE
 - OUTER CONDUCTOR - INITIAL 2.0 MILLIOHM MAX, AFTER ENVIRONMENTAL NOT APPLICABLE
 - CABLE SHIELD TO CONNECTOR BODY - INITIAL 0.5 MILLIOHM MAX, AFTER ENVIRONMENTAL NOT APPLICABLE
 - INSERTION LOSS: 0.12√F (GHz) dB MAX, TESTED AT 10 GHz
 - CORONA LEVEL: 190 VOLTS MIN AT 70,000 FEET
 - RF LEAKAGE: -80 dB TYPICAL, TESTED AT 2.5 GHz
 - RF HIGH POTENTIAL WITHSTANDING VOLTAGE: 325 VRMS MIN AT 4 AND 7 MHz

MECHANICAL:

INTERFACE DESIGN: IN ACCORDANCE WITH MIL-STD-348A, SERIES SMP
ENGAGEMENT FORCE: 15.0 LBS MAX (FULL DETENT)
DISENGAGEMENT FORCE: 5.0 LBS MIN (FULL DETENT)
CONTACT RETENTION: NOT APPLICABLE
CABLE ACCEPTABILITY: MIL-C-17/151
CABLE RETENTION: 20 LBS MIN AXIAL FORCE
DURABILITY: 100 CYCLES MIN (FULL DETENT)

ENVIRONMENTAL:

(MEETS OR EXCEEDS THE APPLICABLE PARAGRAPH OF DSCC DWG NO. 94007)
OPERATING TEMPERATURE: -65°C TO 165°C
THERMAL SHOCK: MIL-STD-202, METHOD 107, CONDITION B, EXCEPT 100°C HIGH TEMP
MECHANICAL SHOCK: MIL-STD-202, METHOD 213, CONDITION I
CORROSION: MIL-STD-202, METHOD 101, CONDITION B
VIBRATION: MIL-STD-202, METHOD 204, CONDITION D
MOISTURE RESISTANCE: MIL-STD-202, METHOD 106, EXCEPT STEP 7B OMITTED




CABLE STRIP DIMENSIONS
10:1

CUSTOMER DRAWING

THIS DRAWING TO BE INTERPRETED PER ASME Y 14.5M - 1994

"μSTATION"

COMPANY CONFIDENTIAL

TOLERANCE UNLESS OTHERWISE SPECIFIED	DRAWN BY PAT	DATE 12-11-06	 Cinch CONNECTIVITY SOLUTIONS a bel group	Cinch Connectivity Solutions P.O. Box 1732 Waseca, MN 56093 1-800-247-8256
DECIMALS mm	CHECKED BY JRK	DATE 8-16-07		TITLE SMP FEMALE, STRAIGHT CABLED, M17/151 (.047) SEMI-RIGID
.XX _____	APPROVED BY PDW	DATE 8-16-07	SHEET 2 OF 2	DRAWING NO. C - 127-0692-001/010
.XXX ±.005 _____	RELEASE DATE 8-16-07	SCALE 20:1		
MATL _____	U/M INCH			
FINISH _____				