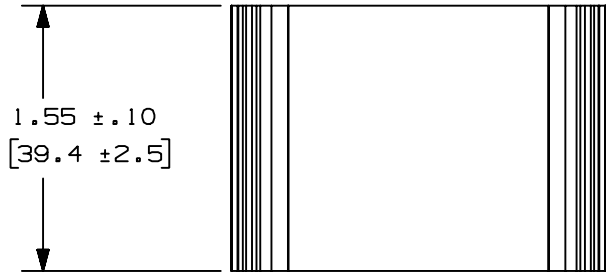


THIS COPY IS PROVIDED ON A RESTRICTED BASIS AND IS NOT TO BE USED IN ANY WAY DETRIMENTAL TO THE INTERESTS OF PANDUIT CORP.

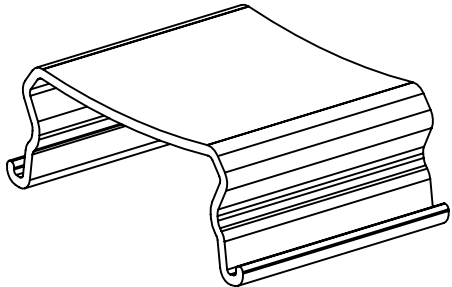
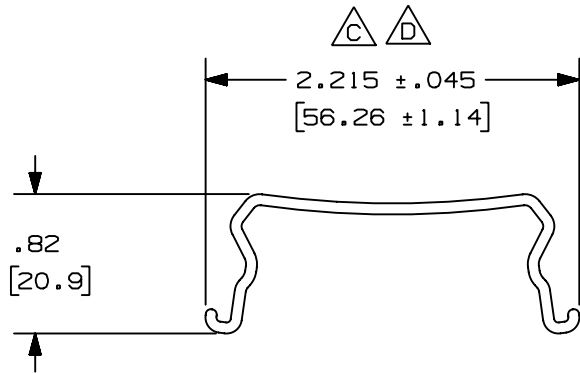
PANDUIT P/N	WEIGHT
T45WR	.191 lbs [86.7 g]

△B



NOTES:

1. SEE CURRENT CATALOG FOR ADDITIONAL PART SUFFIXES TO INDICATE PACKAGE QUANTITY.
2. THIS PART SUPPORTS WIRE AND CABLE WEIGHT IN T45 RACEWAY WHEN MOUNTED IN ANY POSITION.
3. DIMENSIONS IN PARENTHESES ARE IN METRIC.



△A

CAD FILENAME/LAYERS D36975DU_DC_T45WR_01B.PRT

PANDUIT CORP. TINLEY PARK, ILLINOIS

T45 WIRE RETAINER (T45WR) CUSTOMER DRAWING

REV	DATE	BY	CHK	DESCRIPTION	ECN	CHK	CUST	SUP
2	12-21-04	JBN	BKR	D. REVISED DIMENSION: 2.215 ± .045 WAS 2.17-2.26	36975-56	RGRO	RGRO	
-	-----	---	---	C. REVISED DIMENSION TO RANGE: 2.17-2.26 WAS 2.20	-----	----	----	
1	11-01-04	JBN	BKR	B. REVISED PART WEIGHT TO PER PC A. BRING IN NEW GEOMETRY	36975-56	RGRO	RGRO	
R	10-28-99	RABO	HIW	RELEASED TO PRODUCTION	36975-56	HIW	HIW	

UNLESS OTHERWISE SPECIFIED, DIMENSIONAL TOLERANCES ARE: (.X) ± (.XXX) ± (.XX) ±.03(.8) ANGLES ±		UNLESS OTHERWISE SPECIFIED, ALL DIMENSIONS ARE GIVEN IN INCHES, THIRD ANGLE PROJECTION.
DRAWN BY RABO	MAT'L: PVC	SCALE NONE
DATE 10-28-99		DRAWING NO. 36975-56
CHECKED BY HIW		DWG A SIZE