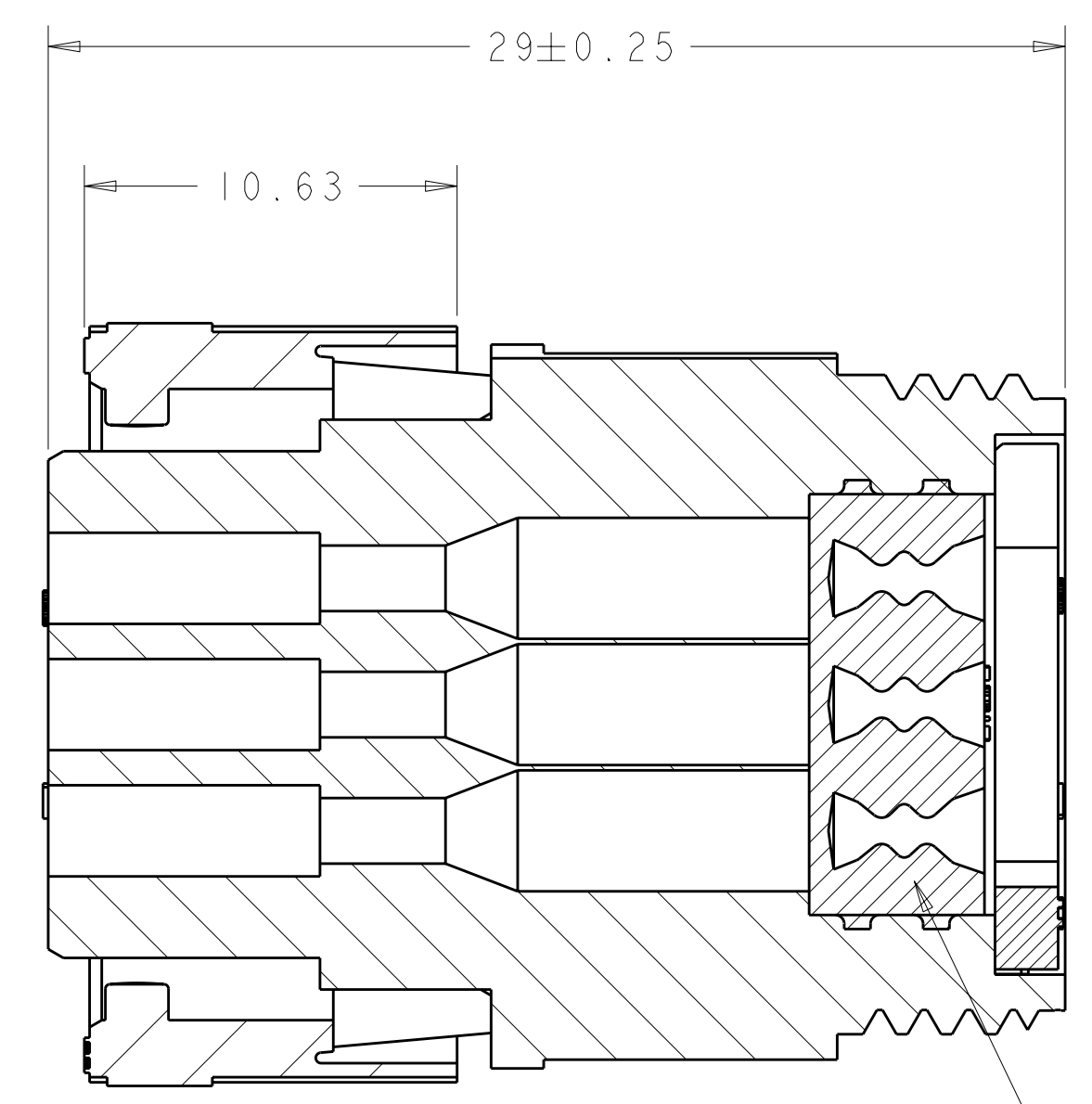
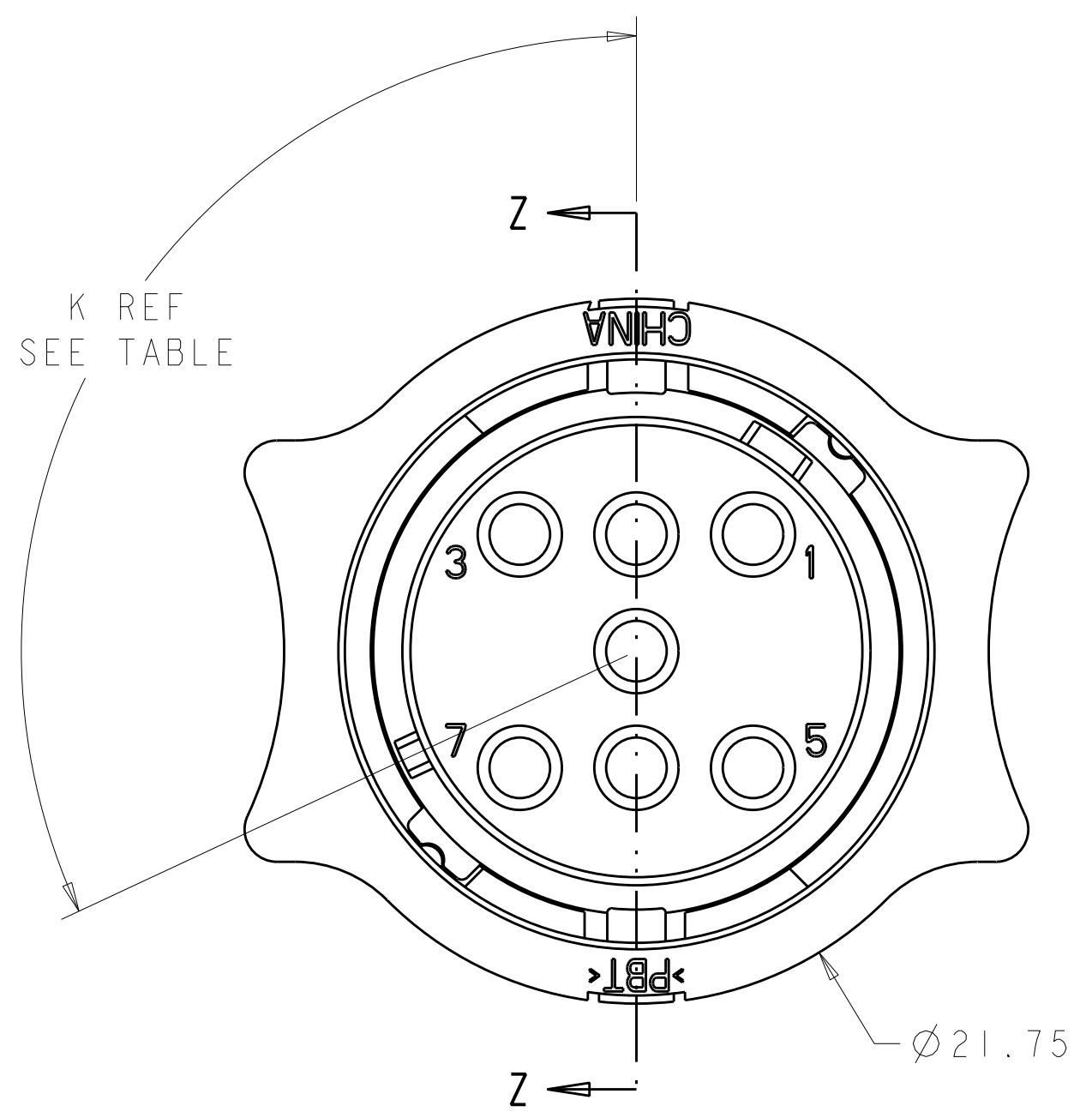
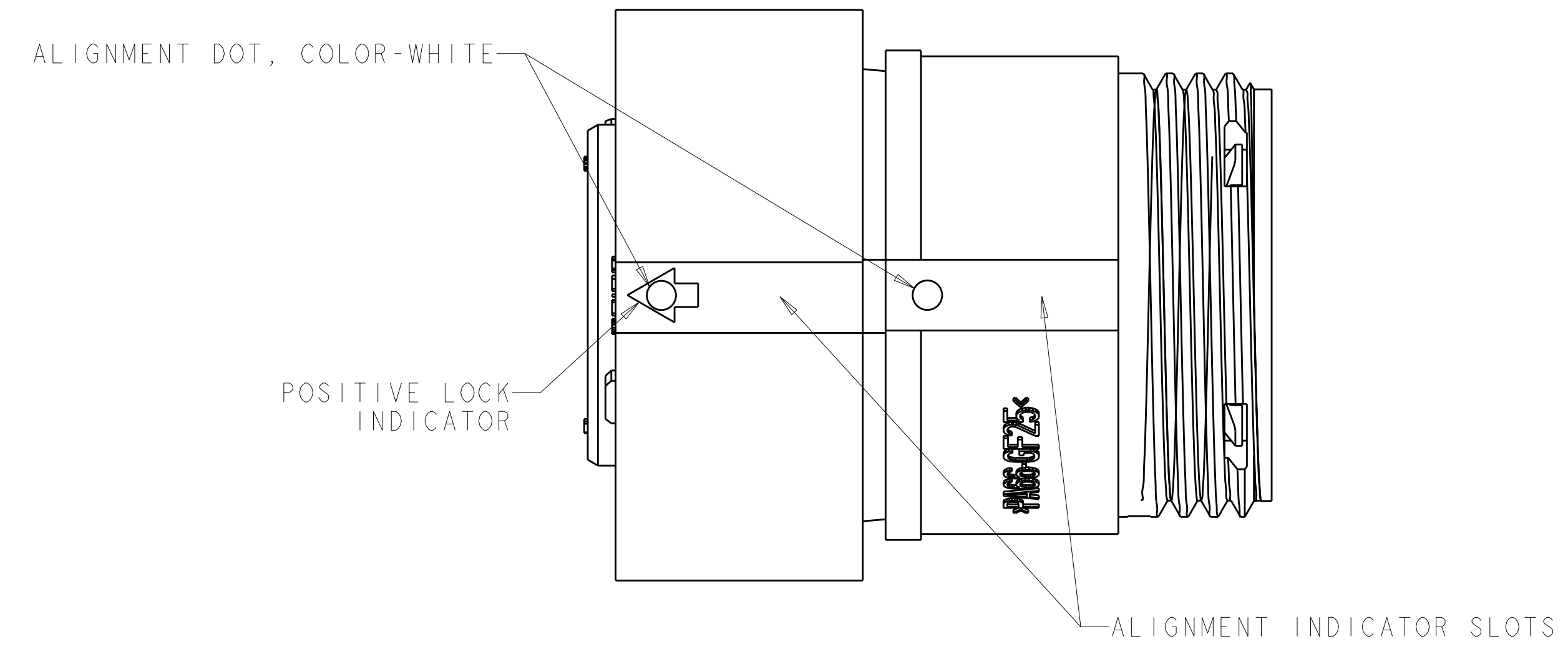
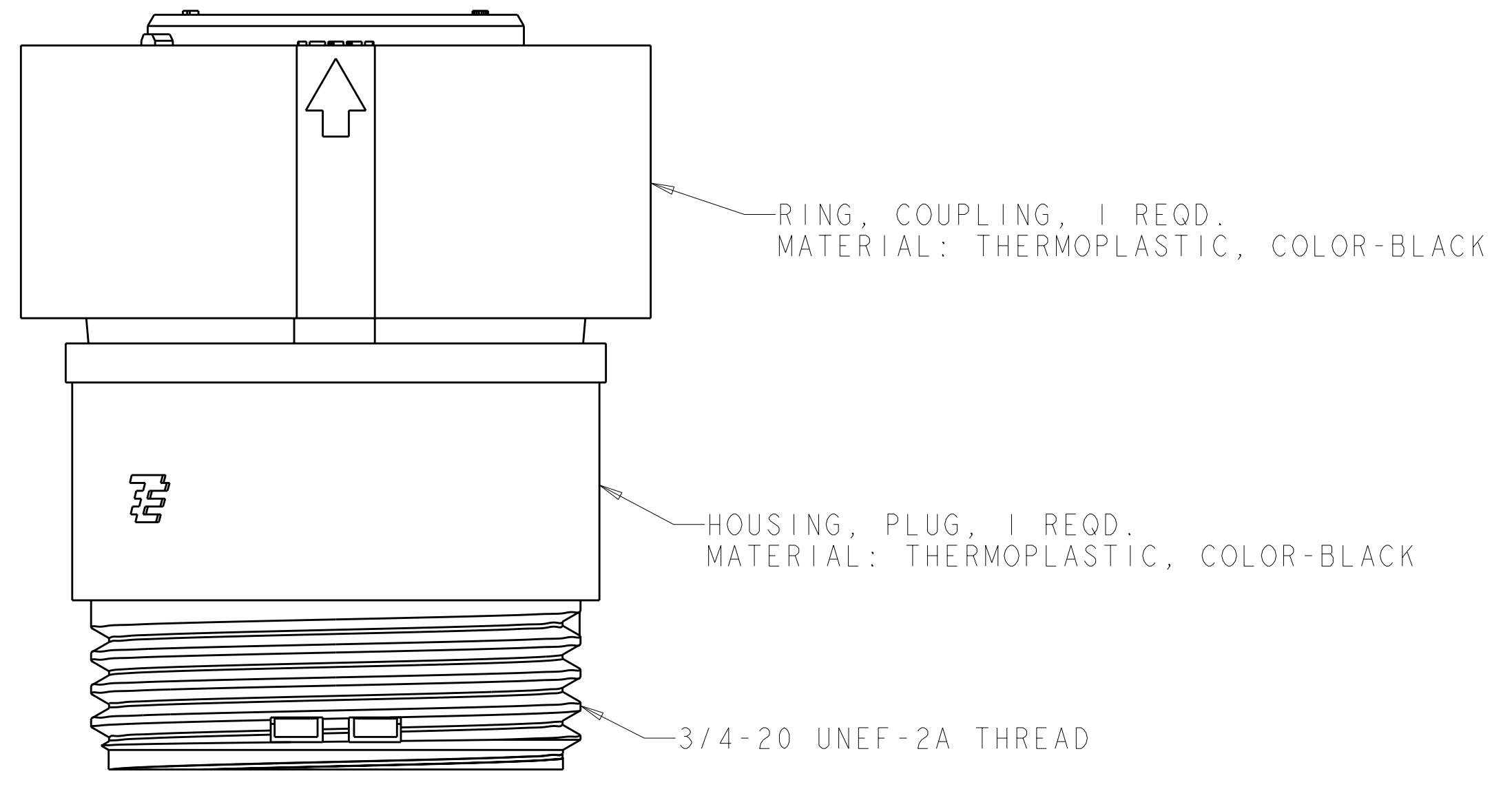
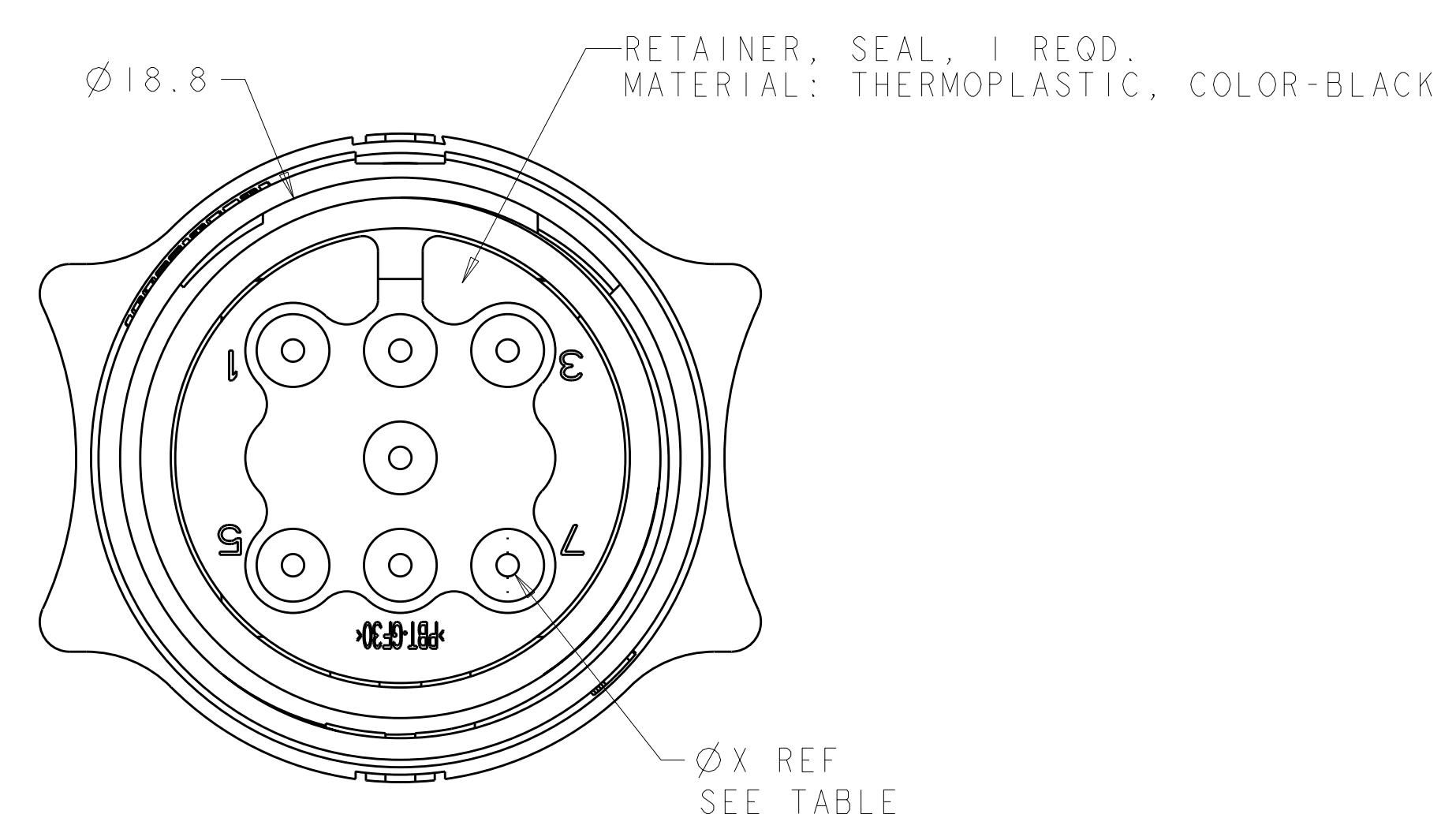


LOC	DIST	REVISIONS					
FT	0	P	LTB	DESCRIPTION	DATE	DWN	APVD
		C1		REVISED ECO-10-014504	22OCT2010	HMR	MG



SECTION Z-Z



QUALIFICATION TEST PENDING

YELLOW	Ø0.75	135°	1445818-4
NATURAL	Ø1.5	115°	1445818-3
NATURAL	Ø1.5	135°	1445818-2
YELLOW	Ø0.75	115°	1445818-1
SEAL, WIRE ENTRY COLOR	ØX REF	K REF	PART NUMBER

<small>THIS DRAWING IS UNPUBLISHED. RELEASED FOR PUBLICATION. ALL RIGHTS RESERVED. THIS IS SUBJECT TO CHANGE WITHOUT NOTICE AND WITHOUT OBLIGATION. SHOULD BE CONTACTED FOR THE LATEST REVISION.</small>		DWN SHANE WUEST 16OCT2001 CHK G DOUTY 16OCT2001 APVD H WAKEEM 13JUN2003	Tyco Electronics Harrisburg, PA 17105-3608
DIMENSIONS: mm 	TOLERANCES UNLESS OTHERWISE SPECIFIED: 0 PLC ± 1 PLC ± 2 PLC ±0.13 3 PLC ± 4 PLC ± ANGLES ± FINISH -	NAME ASSEMBLY, PLUG, SIZE 11, 7 POSITION, SEALED, MINI CPC PRODUCT SPEC - APPLICATION SPEC - WEIGHT - CUSTOMER DRAWING	SIZE CAGE CODE DRAWING NO RESTRICTED TO A1 00779 C=1445818 SCALE 5:1 SHEET 1 OF 1 REV C1