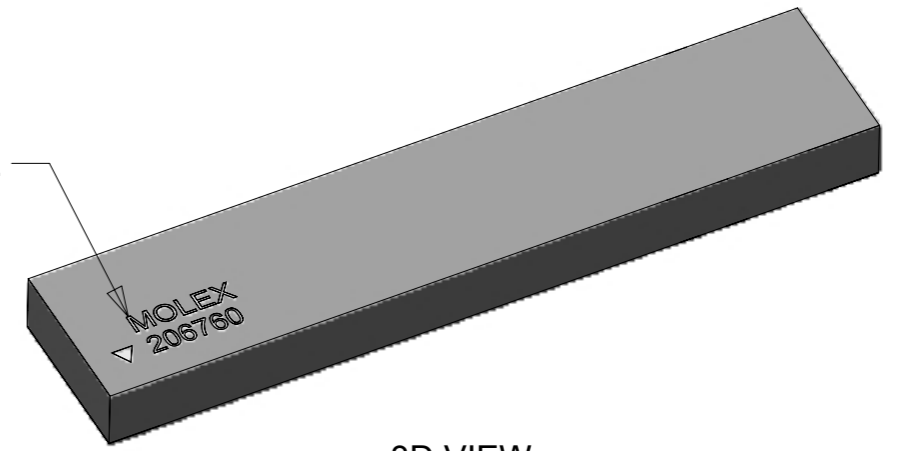
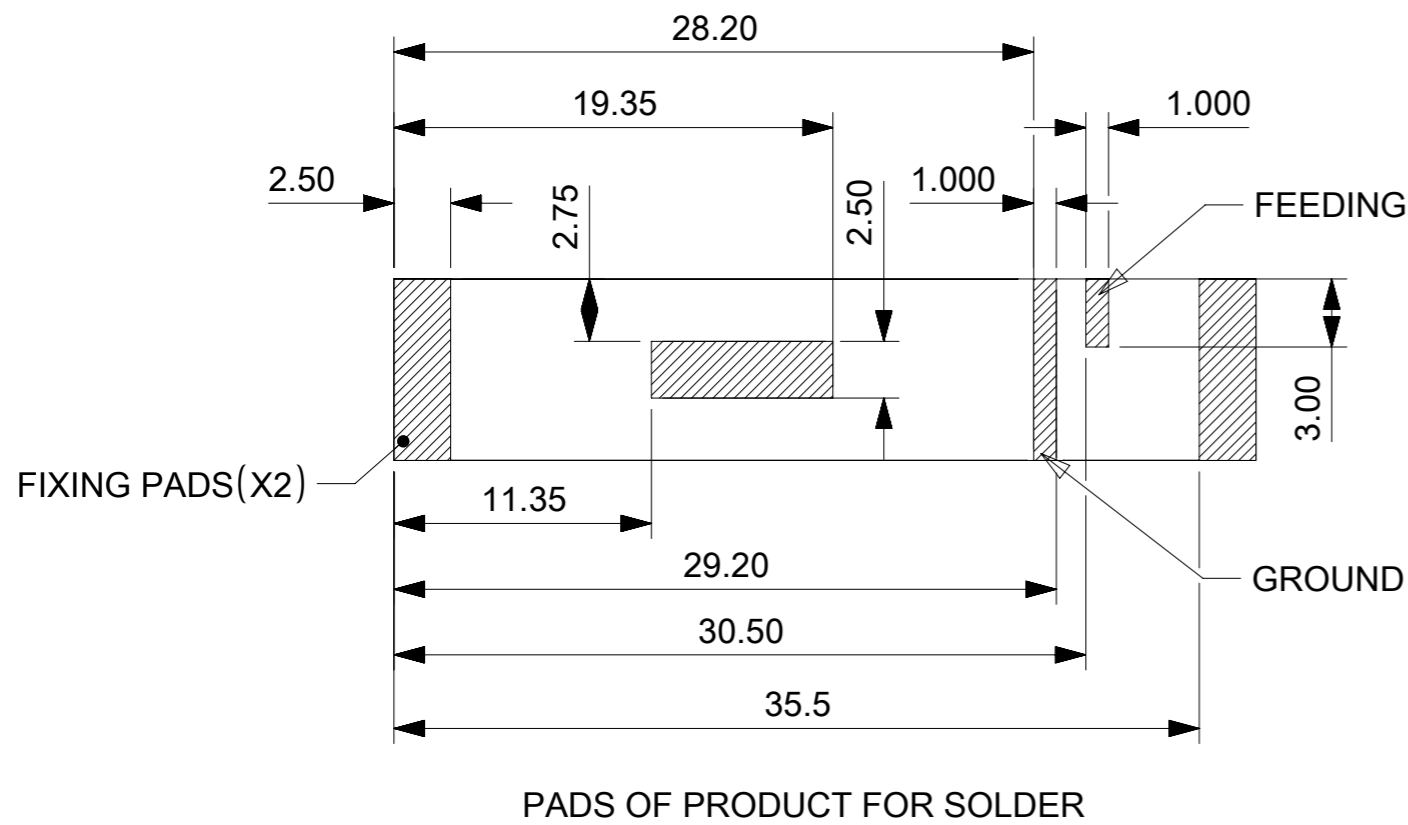


LOGO WITH SERIES NO.

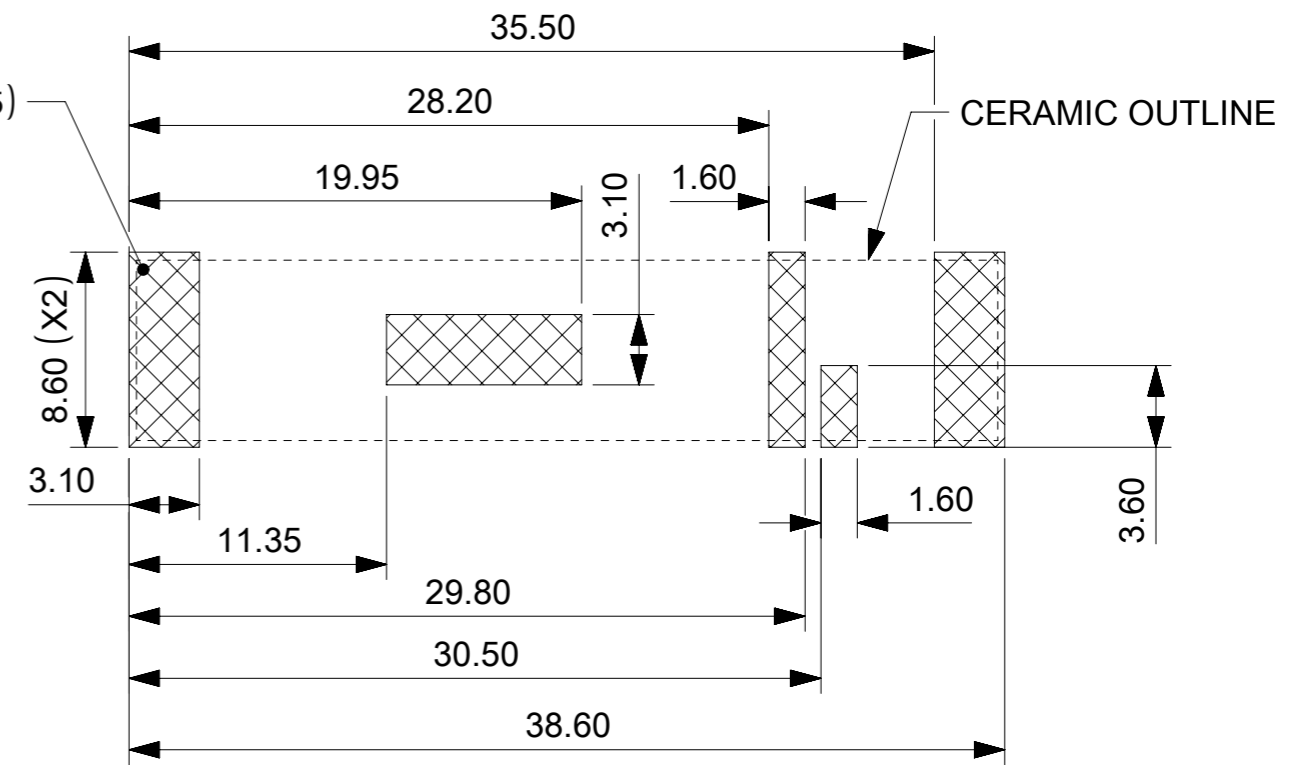


3D VIEW



PADS OF PRODUCT FOR SOLDER

SOLDERING PADS (X5)



RECOMMENDED PCB LAYOUT

NOTE:

1. MATERIAL: CERAMIC.
2. PATTERN: Ag PLATED, THICKNESS 4-10um.
3. PACKAGE SPEC. REFER TO PK OF 2067600001.
4. PRODUCT SPEC. REFER TO PS OF 2067600001.
5. APPLICATION SPEC. REFER TO AS OF 2067600001.
6. SUGGEST TO USE RED GLUE UNDER PART BEFORE SMT IF APPLICATION CONDITION IS STRICT.

SYMBOLS	THIS DRAWING CONTAINS INFORMATION THAT IS PROPRIETARY TO MOLEX ELECTRONIC TECHNOLOGIES, LLC AND SHOULD NOT BE USED WITHOUT WRITTEN PERMISSION		CURRENT REV DESC:			<b>molex</b>				
	DIMENSION UNITS	SCALE							EC NO: 174874	DRWN: KCHENG06
▽ = 0	mm	5:1	DRWN: KCHENG06	2018/04/17	2018/04/17	PRODUCT CUSTOMER DRAWING	DOCUMENT NUMBER	DOC TYPE	DOC PART	REVISION
▽ = 0	GENERAL TOLERANCES (UNLESS SPECIFIED)		APPR: XJSONG	2018/04/18	2018/04/18	2067600001	PSD	SD	A	
▽ = 0	ANGULAR TOL ± °		INITIAL REVISION:	DRWN: KCHENG06	2018/03/13	MATERIAL NUMBER	CUSTOMER	SHEET NUMBER		
▽ = 0	4 PLACES ±		DRWN: KCHENG06	2018/04/18	2018/04/18	2067600001	GENERAL MARKET	1 OF 1		
▽ = 0	3 PLACES ± 0.1		APPR: XJSONG							
▽ = 0	2 PLACES ± 0.2									
▽ = 0	1 PLACE ± 0.3									
▽ = 0	0 PLACES ± 0.5									
■ = 0	DRAFT WHERE APPLICABLE MUST REMAIN WITHIN DIMENSIONS		THIRD ANGLE PROJECTION	DRAWING	SERIES	MATERIAL NUMBER	CUSTOMER	SHEET NUMBER		
▽ = 0			⊕	A3-SIZE	206760	2067600001	GENERAL MARKET	1 OF 1		