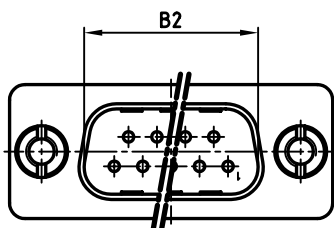
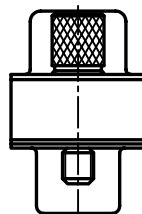
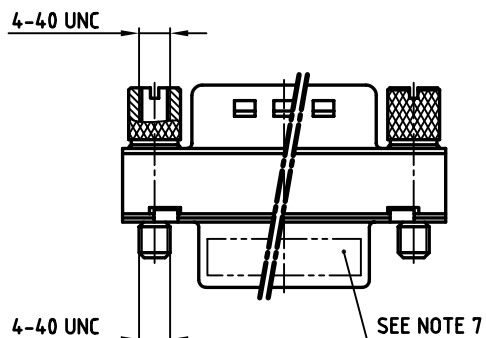
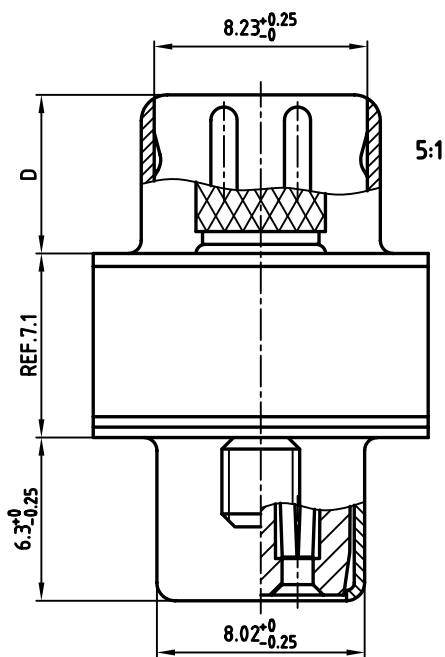
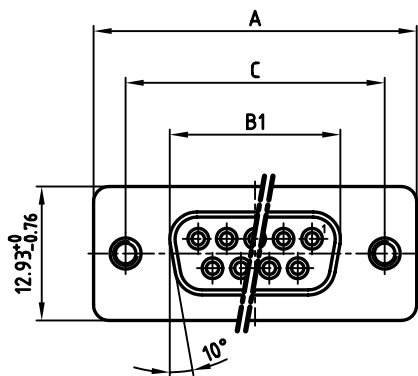


used for: FILTER ADAPTER

POS.	A <sub>-0.76</sub>	B1 <sub>-0.25</sub>	B2 <sup>+0.25</sup>	C	D <sub>-0.3</sub>	PART NO.
9	31.19	16.46	16.79	25.00 <sup>+0.12</sup> <sub>-0.13</sub>	6.12	<b>243A10010X</b>
15	39.52	24.79	25.12	33.30 <sup>+0.15</sup> <sub>-0.1</sub>	6.12	<b>243A10020X</b>
25	53.42	38.50	38.84	47.04 $\pm 0.13$	5.99	<b>243A10030X</b>
37	69.70	54.96	55.30	63.50 $\pm 0.13$	5.99	<b>243A10040X</b>



**NOTES:**

- METAL SHELLS: STEEL; min. 315µ" TIN over 40-80µ" NICKEL
- INSULATORS: PBT GF UL 94 V-0, BLACK
- CONTACTS: COPPER ALLOY  
PLATING MATING AREA: 8µ" HARD GOLD OVER min. 50µ" NICKEL
- CAPACITANCE: 370pF ±20%
- DIELECTRIC WITHSTANDING VOLTAGE: 424 VDC
- MAXIMUM TORQUE VALUE FOR THREAD: 6" LBS
- CONNECTOR IS PART MARKED: PART-NO. CONEC ABC

Directive 2002/95/EC  
RoHS  
Compliant

APPROVAL # FREIGABE # DEBLOCAGE # AUTORIZACION	APPROVAL # FREIGABE # DEBLOCAGE # AUTORIZACION # APPROVAL
APPROVAL # FREIGABE # DEBLOCAGE # AUTORIZACION # APPROVAL	
CUSTOMER APPROVAL DATE:	
NAME:	TITLE:
COMPANY NAME:	
APPROVAL # FREIGABE # DEBLOCAGE # AUTORIZACION # APPROVAL	

THIS DRAWING MAY NOT BE COPIED OR REPRODUCED IN ANY WAY, AND MAY NOT BE PASSED ON TO A THIRD PARTY, WITHOUT WRITTEN PERMISSION. OWNERSHIP AND COPYRIGHT OF CONEC GmbH. DO NOT ALTER CAD DRAWING BY HAND

rev.	description	date	name
a	Origin		

tolerance		dim. in mm
2006	date	
drawn	24.05.	name
appd.	24.05.	Mickenbecker
norm		DIN 41652
d-old		
<b>CONEC</b>		

scale:	2:1 (5:1)
material:	SEE NOTES
title:	
<b>D-SUB C-FILTER ADAPTER</b>	
9-37pos. PLUG / SOCKET	
with jack screws	
dwg no:	AutoCAD 2006
<b>24K3A280</b>	
part no:	SEE TABLE
DIN-A 3 sh: 1/1	