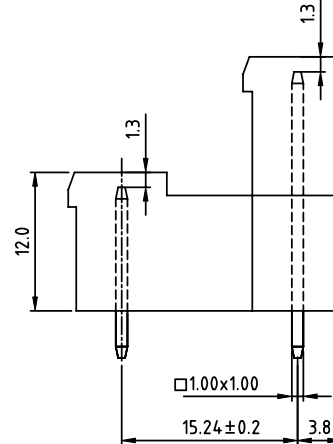
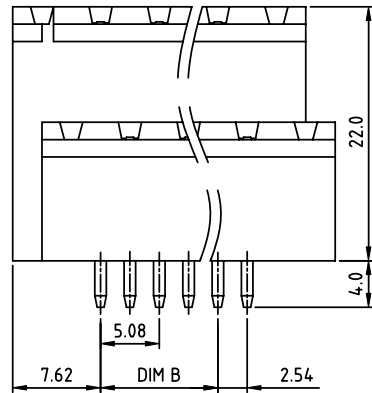
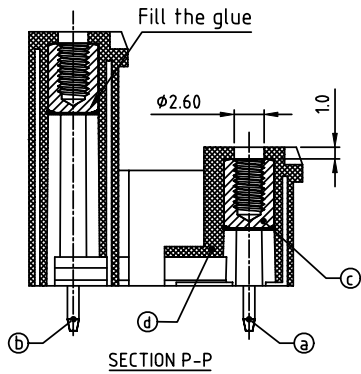
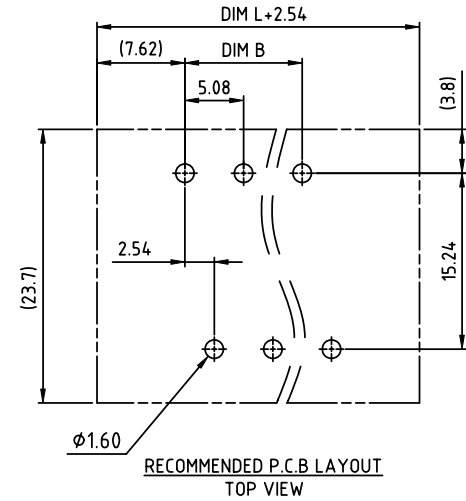
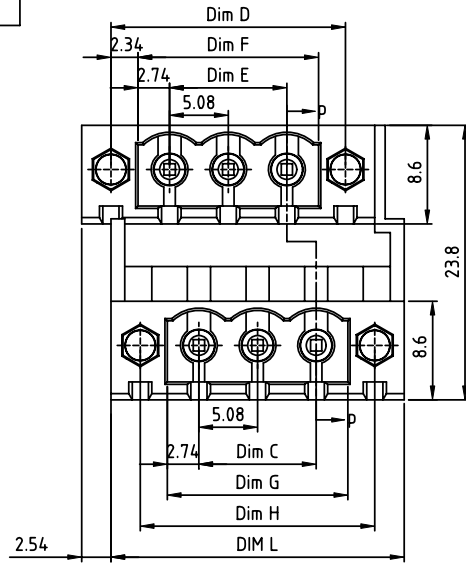


PRODUCT NUMBER	PITCH
VFxx52x000J0G	5.08 mm



Material:

- Item ① Short pin: Copper, Tin plated
- Item ② Long pin: Copper, Tin plated
- Item ③ With flange nut: brass M2.5
- Item ④ Terminal (housing): Thermoplastic (UL94V-0)

Electrical cULus

- Voltage rating: 300VAC
- Current rating: 10A
- Withstanding Voltage: 1.6KV
- Operating temperature: -40°C to +115°C
- Soldering temperature: 260°C±5°C/5 Sec
- Safety Approval:

PART NO.: VF xx 52 x 0 00J0 G

Dimension	
Dim L	(N/2+2)×5.08
Dim B	(N/2-1)×5.08
Dim C	(N/2-1)×5.08
Dim D	(N/2-1)×5.08+10.16
Dim E	(N/2-1)×5.08
Dim F	(N/2-1)×5.08+5.48
Dim G	(N/2-1)×5.08+5.48
Dim H	(N/2-1)×5.08+10.16

N=Number of poles	
Poles	Tolerance
2×2P-2×5P	±0.15
2×6P-2×10P	±0.20
2×11P-2×15P	±0.25
2×16P-2×20P	±0.30
2×21P-2×24P	±0.35

- Solid block
- No. of poles
- Color
- RoHS compliant (lead<4%) In copper Alloy
- 0 Black (RAL9005)
 - 2 Red (RAL3001/D)
 - 3 Orange(RAL2011/P)
 - 4 Yellow(RAL1018/A)
 - 5 Green(RAL6018/T)
 - 6 Blue (RAL5015/A)
 - 8 Grey(RAL7035/D)
 - 9 White(RAL1102)
 - C Green(RAL6018/U)

mat'l. code		surface ASME Y14.5	tolerance ASME Y14.5	projection	product family
ltr	ecn no	dr	date	tolerances unless otherwise specified	TERMINAL BLOCK
				angles	title
				parallel	TERMINAL BLOCK
				perpendicular	PLUGGABLE SOCKET, WITH FLANGE, VERTICAL
				X°±1°	scale
				dr	FCI
				enr	EVIN ZHONG 042914
				chr	HANKE FENG 042914
				appd	SHI JUN 042914
sheet index	revision sheet	A	1		dwg no
					VFxx52x000J0G
					sheet 1 of 1
					size A4
					type CUSTOMER Drawing