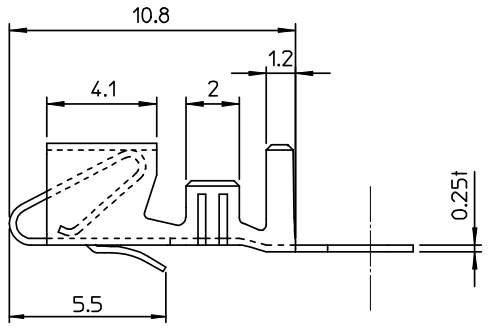


- NOTES
1. MATERIAL : BRASS or PHOSPHOR BRONZE
  2. FINISHES : PRE-TIN PLATED
  3. PRODUCT SPECIFICATION : PS-35978-001
  4. APPLIED HOUSING : 35977-\*\*0\*



SECTION A-A

SECTION B-B

SECTION C-C

TABLE

359228011	35922-8011	PHOSPHOR BRONZE
359229002	35922-9002	BRASS
MAT'L NO.	ENG NO.	MATERIAL

<b>REVISED</b> EC NO: KOR2008-0186 DRWN:SKHAN01 2008/05/26 CHKD:WY. YANG 2008/05/26 APPR: YUNSIKKIM 2008/05/26	QUALITY SYMBOLS = 0 = 0	GENERAL TOLERANCES (UNLESS SPECIFIED) <table border="1"> <tr> <td></td> <td>mm</td> <td>INCH</td> </tr> <tr> <td>4 PLACES</td> <td>± ---</td> <td>± ---</td> </tr> <tr> <td>3 PLACES</td> <td>± ---</td> <td>± ---</td> </tr> <tr> <td>2 PLACES</td> <td>± ---</td> <td>± ---</td> </tr> <tr> <td>1 PLACE</td> <td>± 0.2</td> <td>± ---</td> </tr> </table>		mm	INCH	4 PLACES	± ---	± ---	3 PLACES	± ---	± ---	2 PLACES	± ---	± ---	1 PLACE	± 0.2	± ---	DIMENSION STYLE <b>MM ONLY</b>	SCALE <b>5:1</b>	DESIGN UNITS <b>METRIC</b>	<b>THIRD ANGLE PROJECTION</b>
		mm	INCH																		
	4 PLACES	± ---	± ---																		
	3 PLACES	± ---	± ---																		
	2 PLACES	± ---	± ---																		
1 PLACE	± 0.2	± ---																			
DRAWN BY YURIWI	DATE 1999/05/09	TITLE <b>3.96 PITCH W-T-B CONN. TERMINAL</b>																			
CHECKED BY J. K. OH	DATE 1999/05/09	<b>MOLEX INCORPORATED</b>																			
APPROVED BY CWLEE	DATE 1999/05/09	MATERIAL NO. <b>SEE TABLE</b>	DOCUMENT NO. <b>SD-35922-500</b>	SHEET NO. <b>1 OF 1</b>																	
DRAFT WHERE APPLICABLE MUST REMAIN WITHIN DIMENSIONS		SIZE <b>A3</b>	THIS DRAWING CONTAINS INFORMATION THAT IS PROPRIETARY TO MOLEX INCORPORATED AND SHOULD NOT BE USED WITHOUT WRITTEN PERMISSION																		