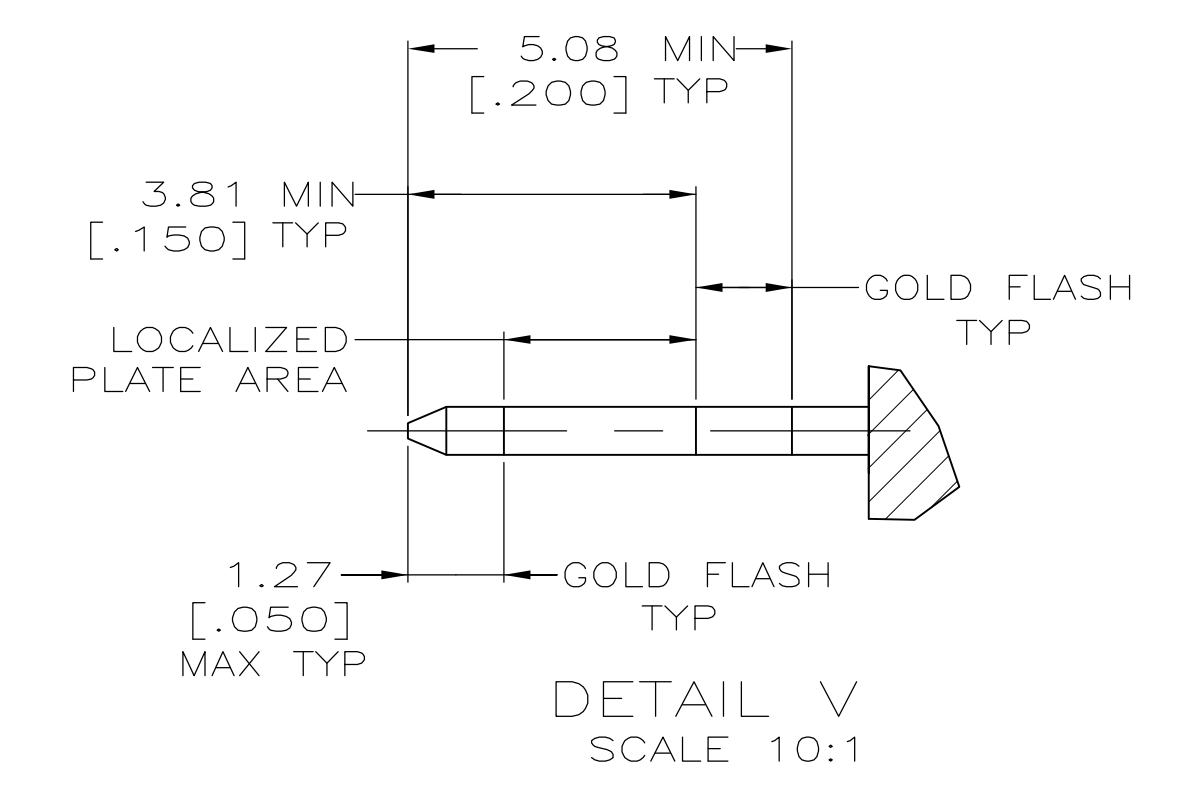
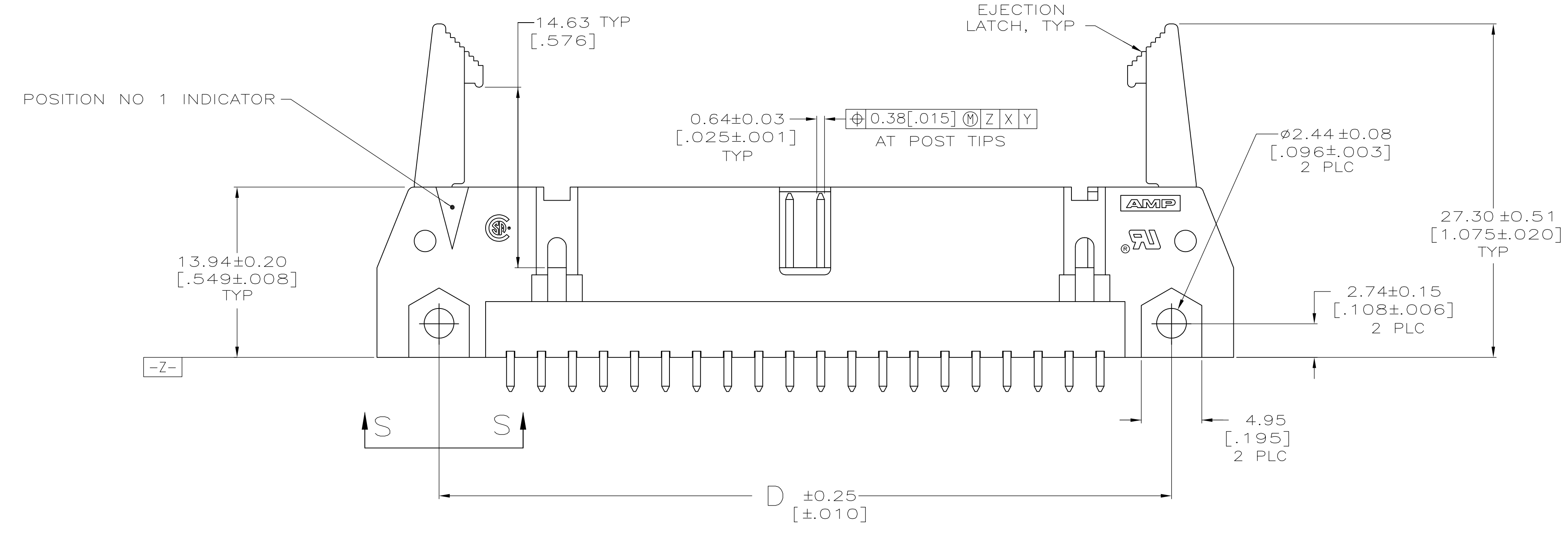
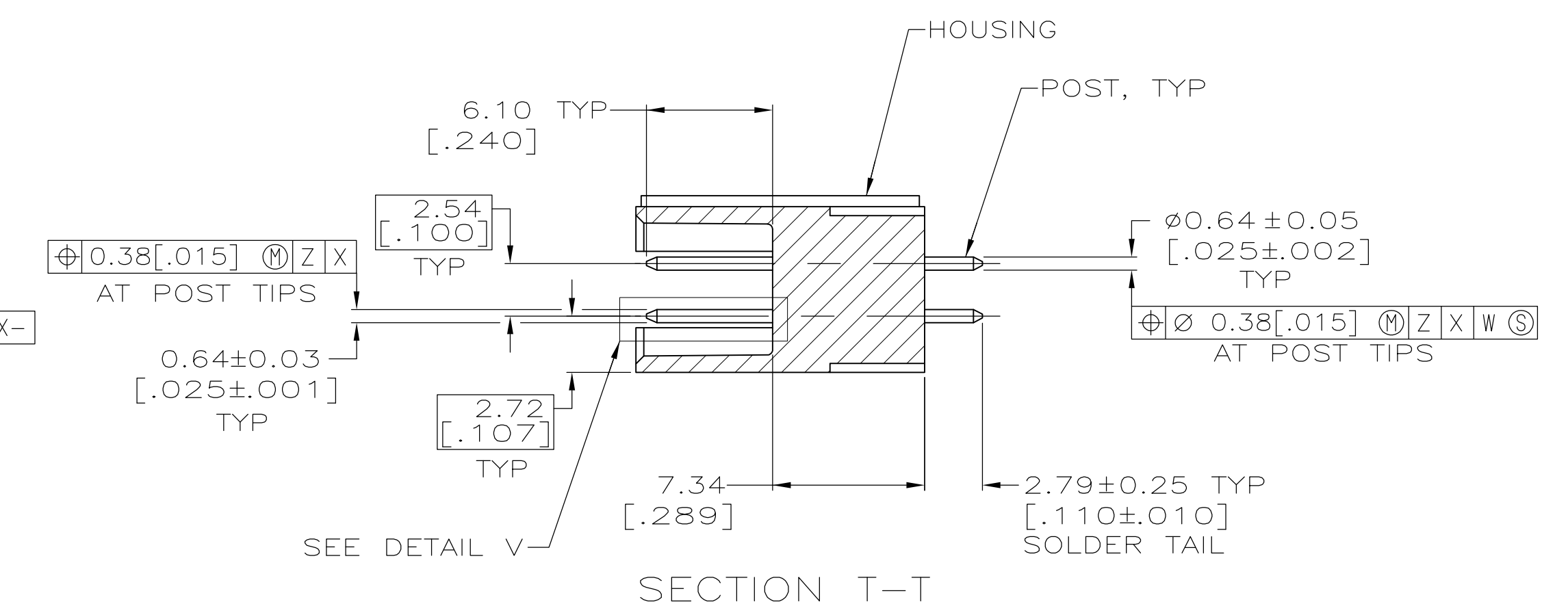
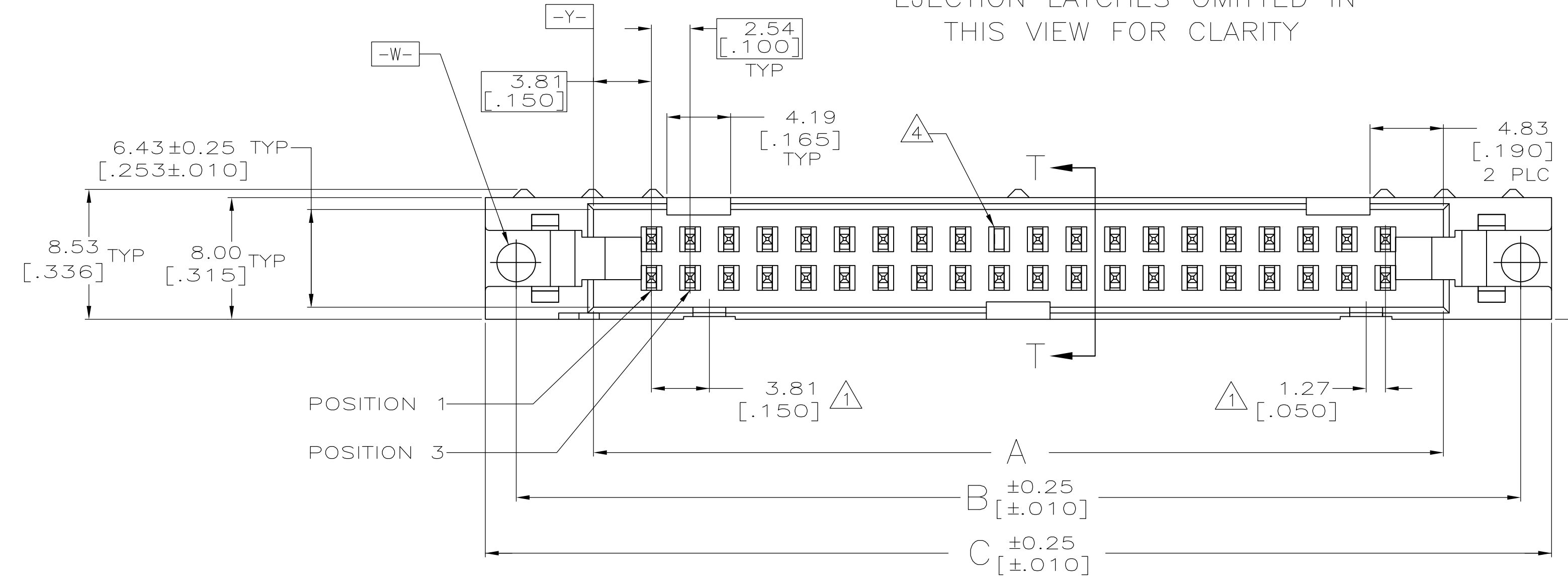
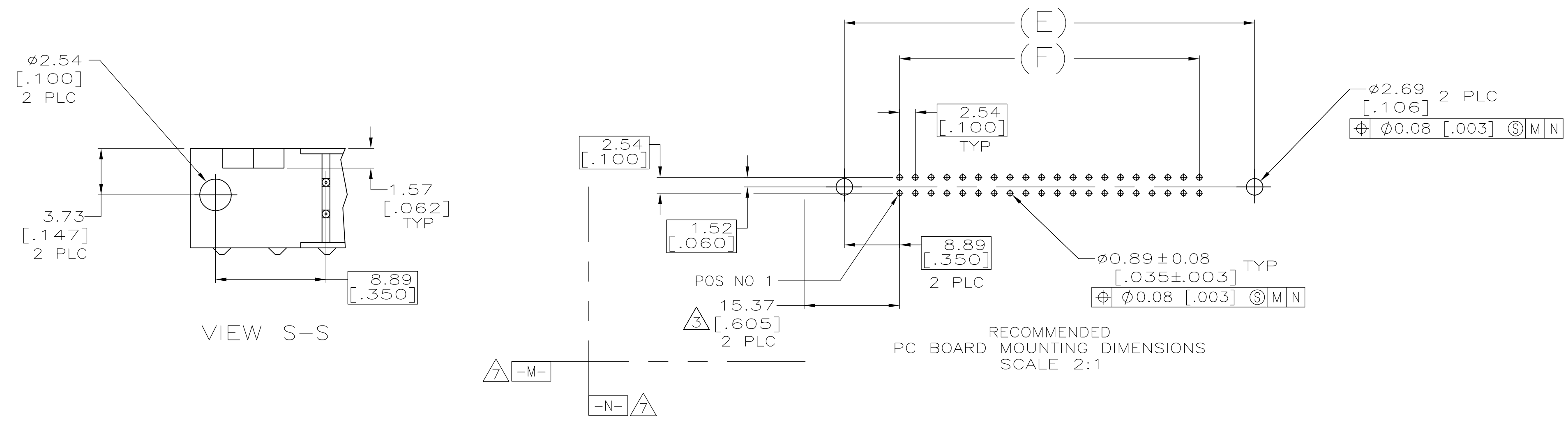


EJECTION LATCHES OMITTED IN THIS VIEW FOR CLARITY



- 1 COORDINATE DIMENSION APPLIES FROM BASIC LOCATION.
- 2. RECOMMENDED PRINTED CIRCUIT BOARD THICKNESS IS 1.57 [.062].
- 3 DISTANCE REQUIRED BY EJECTION LATCHES IN THE OPEN POSITION.
- 4 POST NUMBER 20 OMITTED.
- 5 MOLDED PARTS: GLASS FILLED NYLON OR POLYESTER, UL94V-0 RATED, COLOR BLACK. POSTS: PH BRZ OR BRASS.
- 6 POSTS: GOLD FLASH OVER PALLADIUM-NICKEL PLATE, 0.76µm[.000030] MIN TOTAL ON THE LOCALIZED PLATE AREA, 2.54µm[.000100] MIN TIN PLATE ON THE SOLDER-TAIL, 1.27µm[.000050] MIN NICKEL UNDERPLATE ON THE ENTIRE POST. -OR- 0.76µm[.000030] MIN GOLD PLATE ON THE LOCALIZED PLATE AREA, 2.54µm[.000100] MIN TIN PLATE ON THE SOLDER-TAIL, 1.27µm[.000050] MIN NICKEL UNDERPLATE ON THE ENTIRE POST.
- 7 DATUMS -M- & -N- TO BE ESTABLISHED BY CUSTOMER.



48.26 [1.900]	66.04 [2.600]	59.94 [2.360]	70.10 [2.760]	66.04 [2.600]	55.88 [2.200]	40	5111824-9
F	E	D	C	B	A	NO OF POSN	PART NUMBER

THIS DRAWING IS A CONTROLLED DOCUMENT.		DIN G. ATTADIA - 01-12-05		Tyco Electronics Corporation	
DIMENSIONS: mm [INCHES]		TOLERANCES UNLESS OTHERWISE SPECIFIED:		Harrisburg, PA 17105-3608	
0 PLC	±	0.13 [.005]	NAME: M. WALMSLEY		
1 PLC	±	0.13 [.005]	PRODUCT SPEC: 108-40018		
2 PLC	±	0.13 [.005]	APPLICATION SPEC: -		
3 PLC	±	0.13 [.005]	SIZE: A1		
4 PLC	±	0.13 [.005]	CAGE CODE: 00779		
ANGLES	±	±	DRAWING NO: 5111824		
MATERIAL	FINISH	WEIGHT	RESTRICTED TO: RESTRICTED CUSTOMER		SCALE: 4:1
		SHEET: 1 OF 1		REV: B	