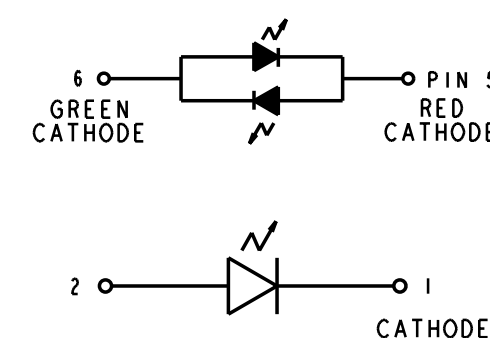
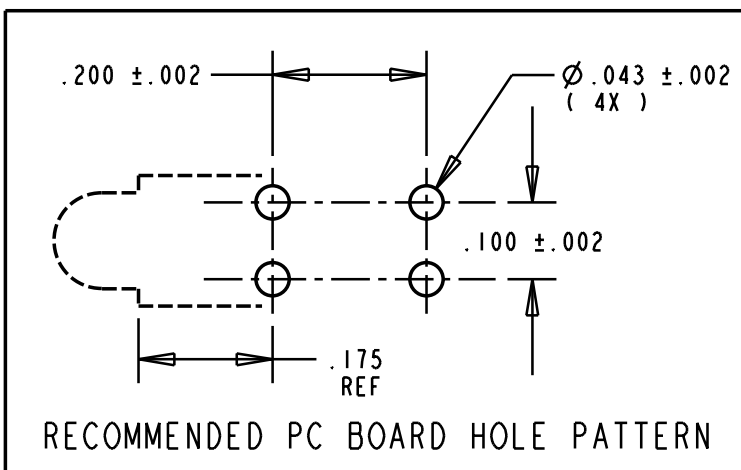
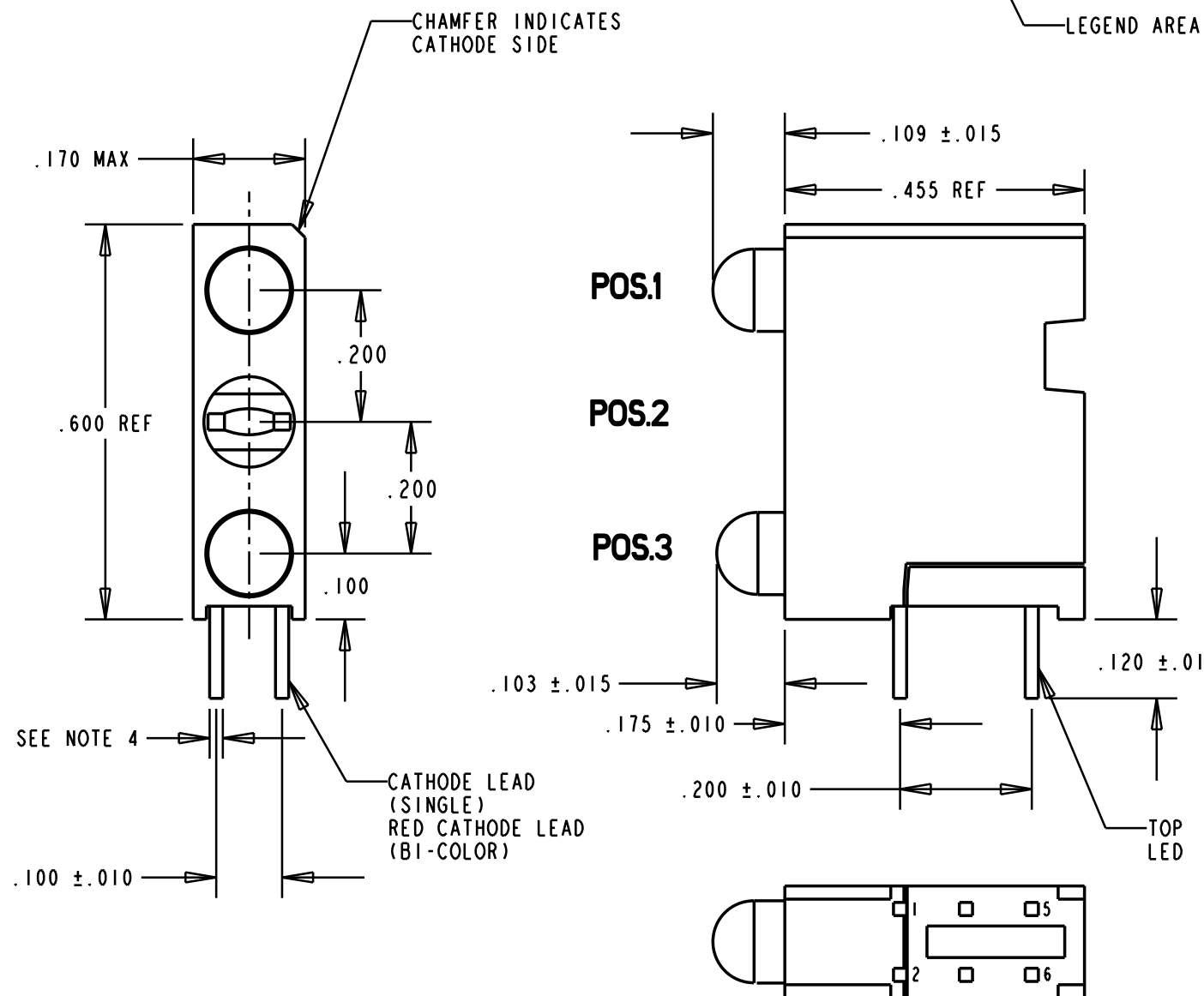
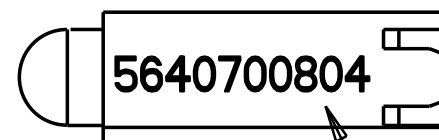
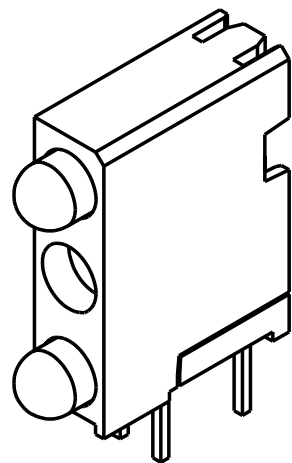


PART NUMBER and LEGEND	LED COLOR		
	POSITION 1	POSITION 2	POSITION 3
564-0700-804	RED / GREEN	** BLANK **	RED DIFFUSED

REV.	ECN NO.	REVISIONS	DRN.	CKD.	APP.	DATE
A	-----	NEW RELEASE	JMC	--	NO	3-15-94
B	-----	REVERSE PIN NO'S IN POS. 3	JMC	--	NO	3-31-94
C	-----	LEAD TRIM $.120 \pm .010$ WAS $.145 \pm .010$	JMC	--	NO	9-1-94
D	-----	CONVERTED TO NEW "BOTTOM" INSERT DESIGN; ADDED NEW NOTE 1 AND 3 THRU 6.	TC			



NOTES:

- LEADS TO FIT INTO HOLES SPACED AS PER HOLE PATTERN
- PIN NUMBERS FOR REFERENCE ONLY, DESIGNATION NON-EXISTENT ON PARTS.
- LEADS TO BE FREE OF DEFORMATION AFTER BENDING AND CUTTING
- LED LEAD DIMENSIONS SHOWN ARE MEASURED AT HOUSING EXIT
- .020 SQ.NOM. = POS.1
.018 SQ.NOM. = POS.3
- DIALIGHT PART NUMBER: 564-0700-804

OPERATING CHARACTERISTICS AT $T_A = 25^\circ C$

SYMBOL	PARAMETER	COLOR	MIN	TYP	MAX	UNITS	TEST COND.
V_F	FORWARD VOLTAGE	RED		1.8	2.2	V	$I_F = 2 \text{ mA}$
V_R	REVERSE VOLTAGE	RED	5			V	$I_R = 50 \mu A$
λ_{PK}	PEAK WAVELENGTH	RED		635		nm	MEASURED AT PEAK
I_V	LUMINOUS INTENSITY	RED	1.0	1.8		mcd	$I_F = 2 \text{ mA}$

BI-COLOR LEDS
OPERATING CHARACTERISTICS AT $T_A = 25^\circ C$

SYMBOL	PARAMETER	COLOR	MIN	TYP	MAX	UNITS	TEST COND.
V_F	FORWARD VOLTAGE	RED		2.0	2.6	V	$I_F = 10 \text{ mA}$
		GREEN		2.0	2.6		
λ_D	PEAK WAVELENGTH	RED		635		nm	
		GREEN		565			
I_V	LUMINOUS INTENSITY	RED	2.5			mcd	$I_F = 10 \text{ mA}$
		GREEN	2.5				

THIS DRAWING AND THE CONTENTS HEREIN ARE CONFIDENTIAL AND THE SOLE PROPERTY OF DIALIGHT. REPRODUCTION OF THIS DRAWING OR CONSTRUCTION OF ANY PARTS WITHIN THIS DRAWING ARE FORBIDDEN WITHOUT THE WRITTEN CONSENT OF DIALIGHT.		
SCALE 4:1	DRAWING NUMBER	REV
ALL DIM'S IN: INCHES	C-15856	D
TOLERANCES: UNLESS OTHERWISE SPECIFIED	TITLE STANDARD 3X1 CBI BLOCK	
FRACTIONS: $\pm 1/64$	MATERIAL	
DECIMALS (.XX): $\pm .020$	Dialight	
DECIMALS (.XXX): $\pm .015$	1913 ATLANTIC AVE. MANASQUAN, N.J. 08736	
ANGLES: $\pm 1^\circ$	FSCM 83330	
FINISH:	SHEET OF	FAMILY TABLE: