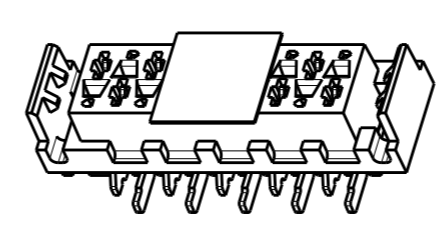
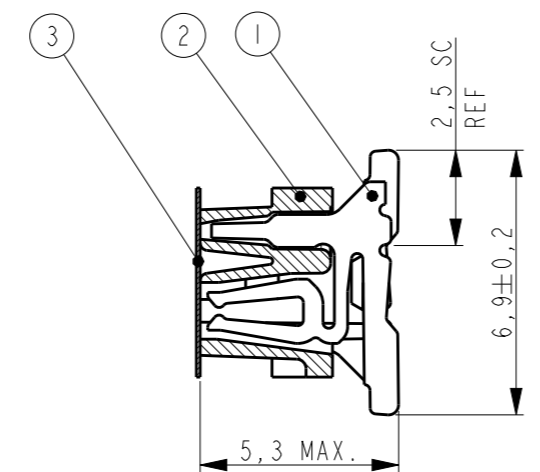
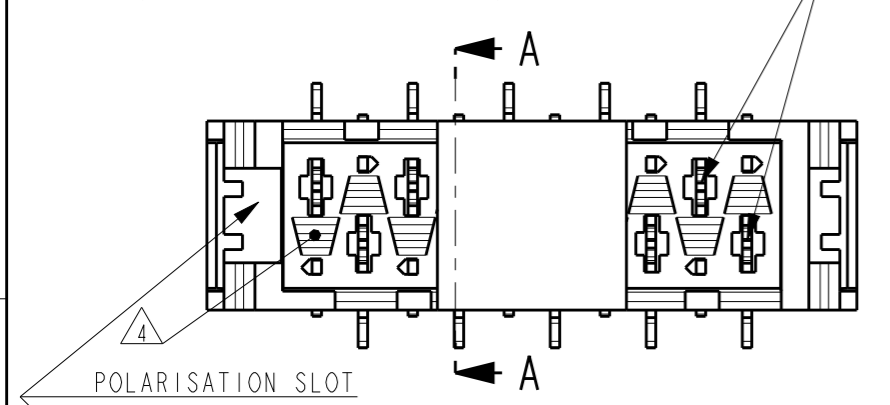


THIS DRAWING IS UNPUBLISHED. RELEASED FOR PUBLICATION. ALL RIGHTS RESERVED.

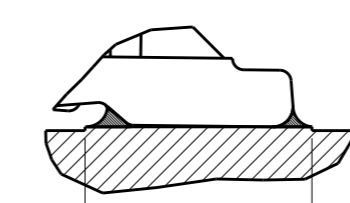
LOC H DIST -

| REVISIONS | | | | | |
|-----------|-----|---|-----------|-----|------|
| P | LTR | DESCRIPTION | DATE | DWN | APVD |
| | H2 | ADDED NOTE INDICATING POLARISATION SLOT | 29OCT2012 | SP | RP |

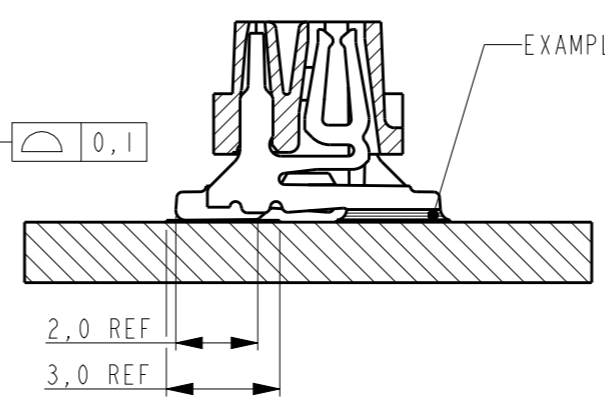
REFERENCE MATING INTERFACE PATTERN:
1,27 STAGGERED PITCH x 1,5 ROW-DISTANCE.



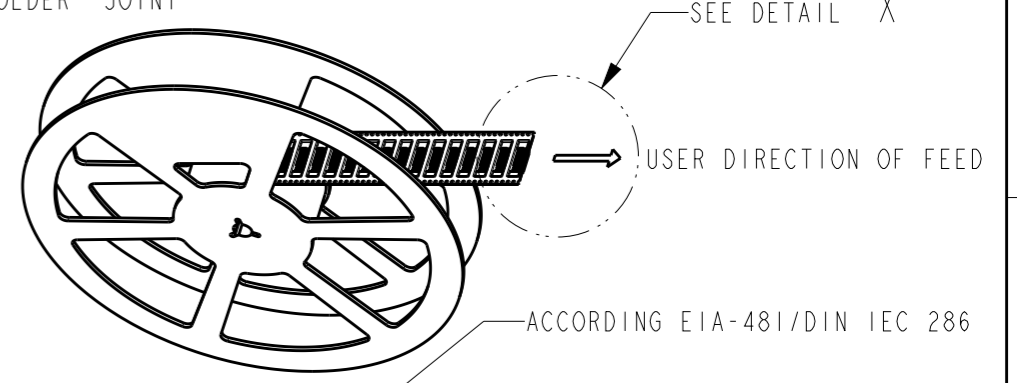
SCALE 3:1



SOLDER DETAIL SCALE 10:1



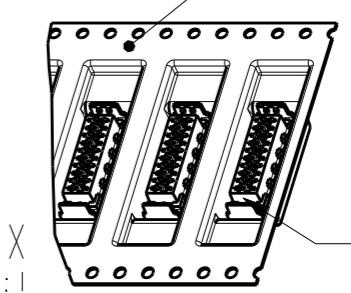
EXAMPLE SOLDER JOINT



SEE DETAIL X

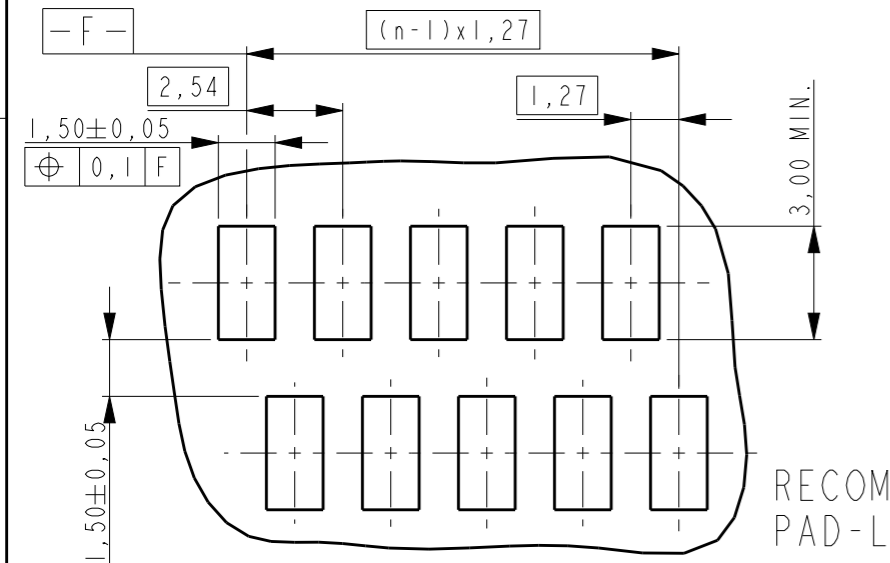
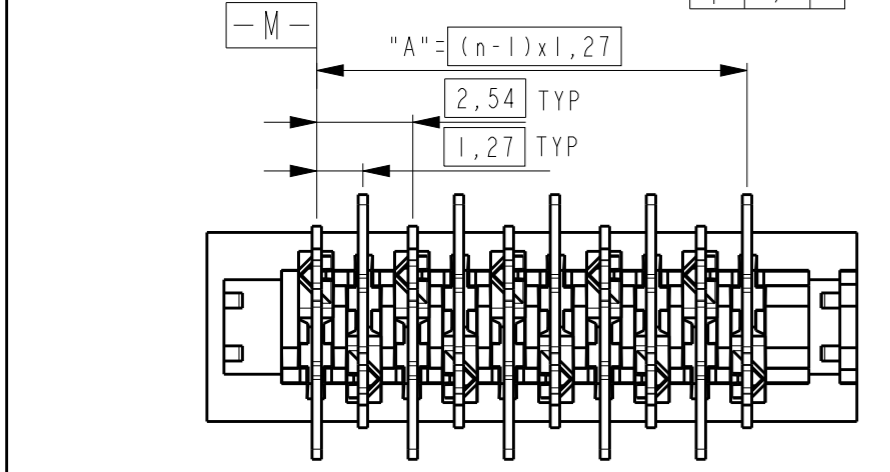
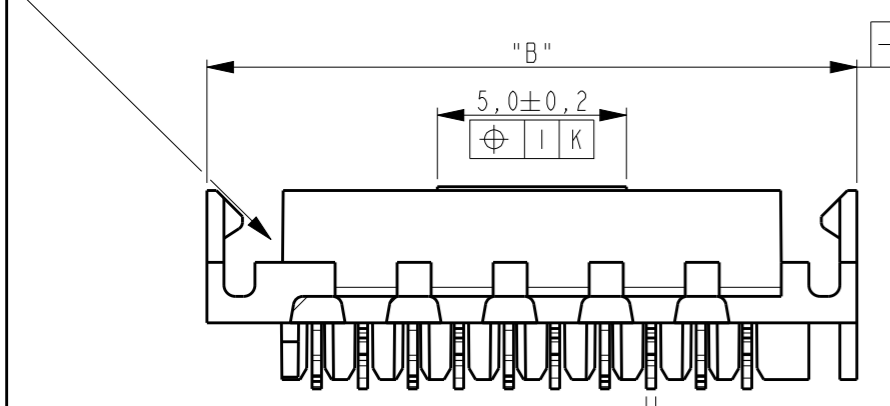
USER DIRECTION OF FEED

ACCORDING EIA-481/DIN IEC 286



DETAIL X SCALE 1:1

POLARIZATION-SLOT ON THIS SIDE.



RECOMMENDED PC-BOARD PAD-LAYOUT TOP VIEW

NOTES:

- 1 TAPE FOR VACUUM P&P ONLY FOR DASHNUMBERS 7- /8- /9-
- 2 FOR PACKAGING SEE SHEET 2 AND 3
- 3 WITHOUT VACUUM TAPE.
- 4 CORING-OUTS FOR MANUFACTURING PURPOSE ONLY. SHAPE MAY VARY, BUT IS NOT FUNCTIONAL FOR THE APPLICATION.
- 5 SHOWN IS A 10 POSITION CONNECTOR.

| △1 PARTNUMBER VAC. TAPE. | △3 PARTNUMBER | NR. OF POS. "n" | "A" | "B" MAX. |
|--------------------------|---------------|-----------------|-------|----------|
| 7-338069-4 | 0-338069-4 | 4 | 3,81 | 9,7 |
| 7-338069-6 | 0-338069-6 | 6 | 6,35 | 12,2 |
| 7-338069-8 | 0-338069-8 | 8 | 8,89 | 14,7 |
| 8-338069-0 | 1-338069-0 | 10 | 11,43 | 17,3 |
| 8-338069-2 | 1-338069-2 | 12 | 13,97 | 19,8 |
| 8-338069-4 | 1-338069-4 | 14 | 16,51 | 22,4 |
| 8-338069-6 | 1-338069-6 | 16 | 19,05 | 24,9 |
| 8-338069-8 | 1-338069-8 | 18 | 21,59 | 27,4 |
| 9-338069-0 | 2-338069-0 | 20 | 24,13 | 30,0 |
| 9-338069-4 | 2-338069-4 | 24 | 29,21 | 35,0 |

THIS DRAWING IS A CONTROLLED DOCUMENT.

| DIMENSIONS: | TOLERANCES UNLESS OTHERWISE SPECIFIED: |
|-------------|--|
| mm | |
| | 0 PLC ±- |
| | 1 PLC ±- |
| | 2 PLC ±- |
| | 3 PLC ±- |
| | 4 PLC ±- |
| | ANGLES ±- |
| MATERIAL | FINISH |
| - | - |

| Item no. | Description | Material | Finish |
|----------|-------------------|-----------------|-------------------|
| 3 | PICK & PLACE TAPE | KAPTON | AMBER TRANSPARENT |
| 2 | FEMALE HOUSING | G.F.POLYAMIDE | RED |
| 1 | FEMALE CONTACT | PHOSPHOR BRONZE | TIN OVER NICKEL |

DWN I DECO1
M. Gosselink
CHK -
APVD -
PRODUCT SPEC
108-19052
APPLICATION SPEC
-
WEIGHT -

STE TE Connectivity

CONNECTOR, FEMALE-ON-BOARD TOP-ENTRY, SMD, WITH LATCHES, Micro-MaTch

| | | | |
|------|-----------|------------|---------------|
| SIZE | CAGE CODE | DRAWING NO | RESTRICTED TO |
| A3 | 00779 | C-338069 | - |

CUSTOMER DRAWING SCALE 5:1 SHEET 1 OF 3 REV H2

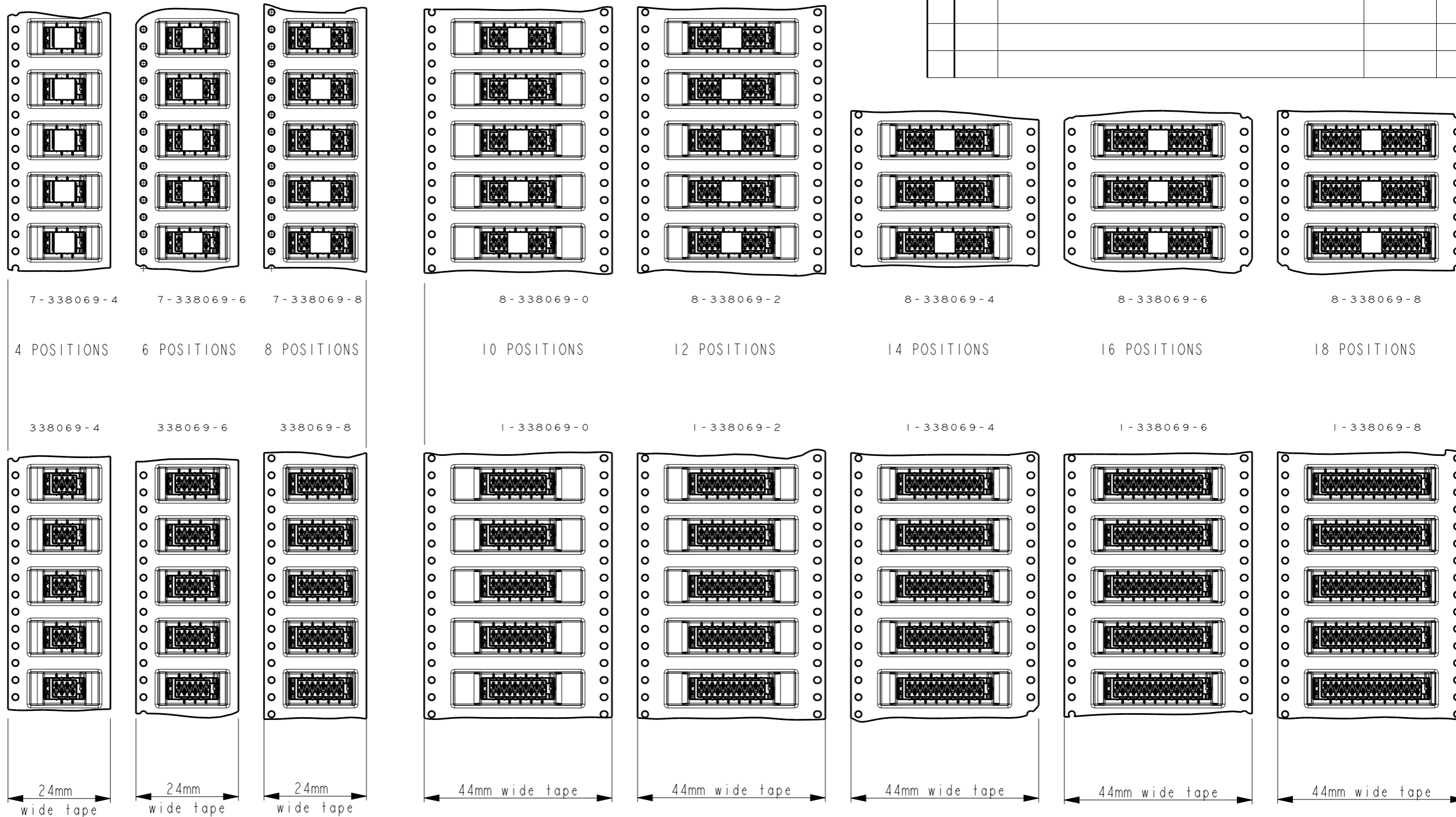
THIS DRAWING IS UNPUBLISHED.

RELEASED FOR PUBLICATION

© COPYRIGHT -

ALL RIGHTS RESERVED.

| LOC | DIST | REVISIONS | | | | | |
|-----|------|-----------|-----|-------------|------|-----|------|
| H | - | P | LTR | DESCRIPTION | DATE | DWN | APVD |
| | | | | SEE SHEET 1 | | | |



| | | | | | |
|---|--|---------------------------|-----------------------|------------------------|--------------------|
| THIS DRAWING IS A CONTROLLED DOCUMENT. | | DWN M. Gosselink | IIDECO1 | | TE Connectivity |
| DIMENSIONS: mm | | CHK - | APVD - | | |
| TOLERANCES UNLESS OTHERWISE SPECIFIED: 0 PLC ±- 1 PLC ±- 2 PLC ±- 3 PLC ±- 4 PLC ±- ANGLES ±- FINISH - | | PRODUCT SPEC 108-19052 | APPLICATION SPEC - | SIZE A3 | CAGE CODE 00779 |
| MATERIAL - | | WEIGHT - | CUSTOMER DRAWING | DRAWING NO C-338069 | RESTRICTED TO - |
| | | | | SCALE 5:1 | SHEET 2 OF 3 |
| | | | | REV H2 | |

4

3

2

1

THIS DRAWING IS UNPUBLISHED.

RELEASED FOR PUBLICATION

© COPYRIGHT -

ALL RIGHTS RESERVED.

| LOC | DIST | REVISIONS | | | | | |
|-----|------|-----------|-----|-------------|------|-----|------|
| H | - | P | LTR | DESCRIPTION | DATE | DWN | APVD |
| | | | | SEE SHEET 1 | | | |
| | | | | | | | |
| | | | | | | | |

44mm wide tape

9-338069-0

20 POSITIONS

2-338069-0

56mm wide tape

9-338069-4

24 POSITIONS

2-338069-4

THIS DRAWING IS A CONTROLLED DOCUMENT.

DWN
M. Gosselink IDECO1CHK
-APVD
-

PRODUCT SPEC

108-19052

APPLICATION SPEC

WEIGHT
-

CUSTOMER DRAWING

NAME
CONNECTOR,
FEMALE-ON-BOARD TOP-ENTRY,
SMD, WITH LATCHES, Micro-MaTch

SIZE CAGE CODE DRAWING NO RESTRICTED TO

A3 00779 C-338069 -

SCALE 5:1 SHEET 3 OF 3 REV H2

DIMENSIONS:

mm

TOLERANCES UNLESS
OTHERWISE SPECIFIED:

0 PLC ±
1 PLC ±
2 PLC ±
3 PLC ±
4 PLC ±
ANGLES ±

MATERIAL

-

FINISH

-

1470-19 (3/11)