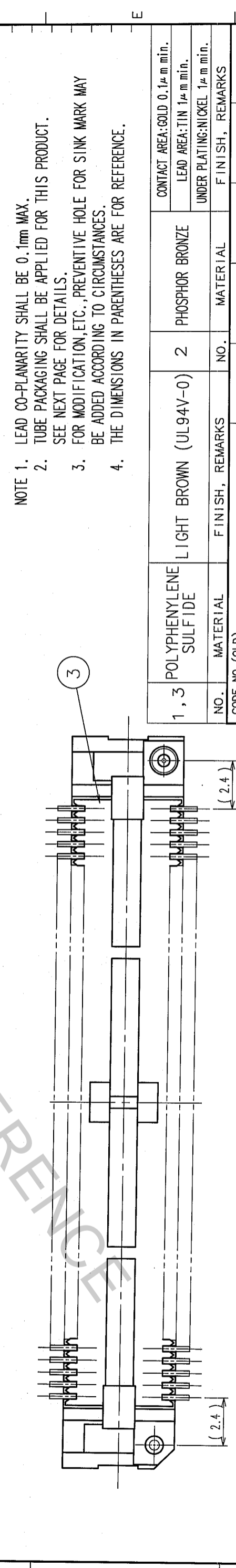
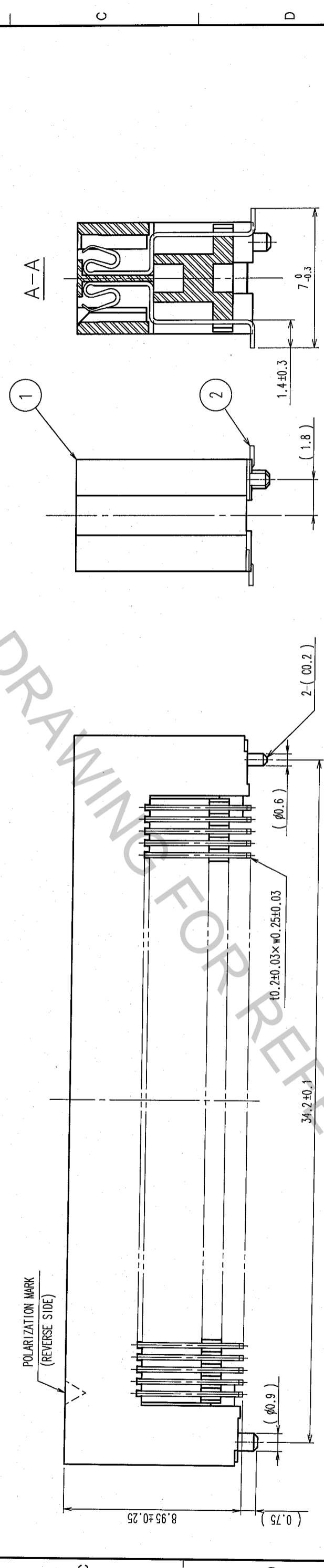
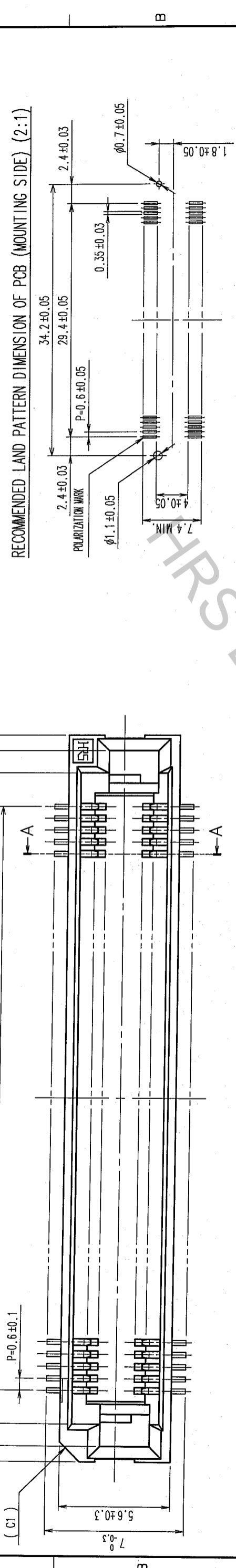


COUNT	DESCRIPTION OF REVISIONS	BY	CHKD	DATE	COUNT	DESCRIPTION OF REVISIONS	BY	CHKD	DATE
△					△				
△					△				
△					△				

COUNT	DESCRIPTION OF REVISIONS	BY	CHKD	DATE	COUNT	DESCRIPTION OF REVISIONS	BY	CHKD	DATE
△					△				
△					△				
△					△				

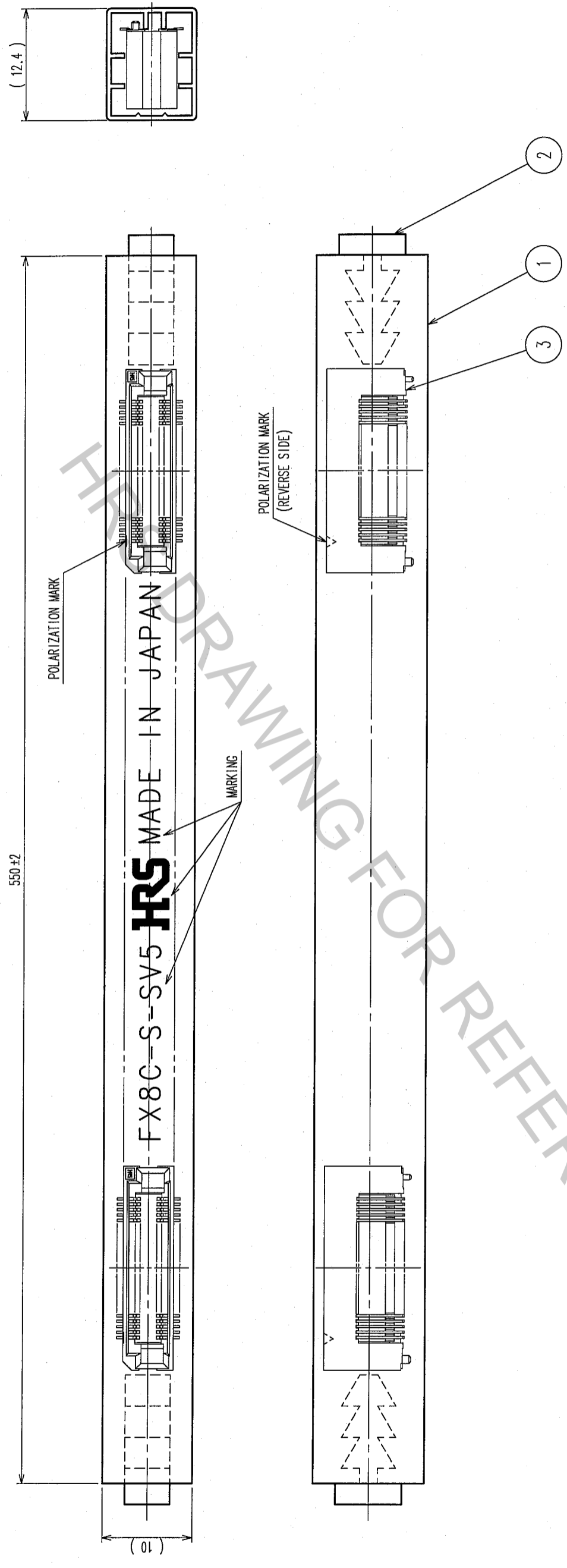


- NOTE 1. LEAD CO-PLANARITY SHALL BE 0.1mm MAX.  
 2. TUBE PACKAGING SHALL BE APPLIED FOR THIS PRODUCT.  
 SEE NEXT PAGE FOR DETAILS.  
 3. FOR MODIFICATION, ETC., PREVENTIVE HOLE FOR SINK MARK MAY BE ADDED ACCORDING TO CIRCUMSTANCES.  
 4. THE DIMENSIONS IN PARENTHESES ARE FOR REFERENCE.

1, 3	POLYPHENYLENE SULFIDE	LIGHT BROWN (UL94V-0)	2	PHOSPHOR BRONZE	CONTACT AREA: GOLD 0.1μm min. LEAD AREA: TIN 1μm min. UNDER PLATING: NICKEL 1μm min.
NO.	MATERIAL	FINISH, REMARKS	NO.	MATERIAL	FINISH, REMARKS
CODE NO. (OLD)	CL				
DRAWN		DESIGNED	CHECKED	APPROVED	RELEASED
M. Sai		M. Sai	K. Ogawa	H. Okawa	
105.09.02		105.09.02	105.09.02	05.09.02	
DRAWING NO.		PART NO.		CODE NO.	
EDC3-150893-21		FX8C-100S-SV5(91)		CL578-0825-0-91	
SCALE		UNITS		1/2	
5:1		mm			

TO	
PCK	

COUNT	DESCRIPTION OF REVISIONS	BY	CHKD	DATE	COUNT	DESCRIPTION OF REVISIONS	BY	CHKD	DATE
△					△				
△					△				
△					△				



NOTE 1. 1 TUBE : 14 CONNECTORS.  
 2. THE DIMENSIONS IN PARENTHESES ARE FOR REFERENCE.

2		3 (CONNECTOR)	
NO.	MATERIAL	FINISH, REMARKS	TUBE
1	POLYVINYL CHLORIDE		
CODE NO. (OLD)		CL	
DRAWN		DESIGNED	CHECKED
A. Doi		A. Doi	M. Ogawa
05-09-02		05-09-02	05-09-02
SCALE		FREE	
UNITS		mm	
DRAWING NO.		PART NO.	
EDC3-150893-21		FX8C-100S-SV5(91)	
HRS		HIROSE ELECTRIC CO., LTD	
		CODE NO.	
		CL578-0825-0-91	
		2	

TO	
PCK	