



ProxSense® IQS333 Datasheet

9 Channel Projected / 7 Channel Self- Capacitive Touch and Proximity Controller with 2 x 11-bit slider/scroll wheels

The **IQS333** ProxSense® IC is a 9-channel projected (or 7-channel self) capacitive proximity and touch controller with best in class sensitivity, signal to noise ratio and power consumption. Other features include automatic tuning of sense electrodes, internal reference capacitor and internal regulator to reduce total system cost.

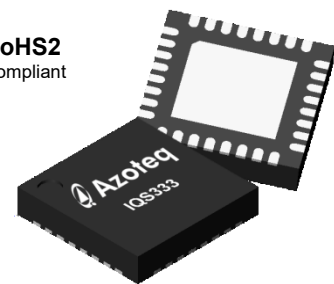
Main Features

- 7 Self or 9 Mutual Channel Capacitive Controller
- 2 Configurable 11-bit sliders/scroll wheels
- Advanced on-chip digital signal processing
- Automatic adjustment for optimal performance (ATI)
- User selectable Proximity and Touch thresholds
- Long proximity range
- Automatic drift compensation

- Fast I²C Interface
- Event mode or Streaming modes

- 8 PWM LED/Output drivers (5mA source/10mA sink)
 - Hardware PWM set through I²C memory map – no overhead from host
 - Dimming modes available, up and down
 - Minimum, maximum & adjustable limit levels for dimming modes
- Low Power, suitable for battery applications
- Supply voltage: 1.8V to 3.6V
- <3µA Active sensing in LP mode

RoHS2
Compliant



IQS333 QFR32
Representations only, not
actual markings

Applications

- White goods and appliances
- Office equipment, toys
- Medical and test equipment
- Blu-Ray, DVD players, TVs

Available options

T _A	QFR(5x5)-32
-20°C to 85°C	IQS333



Contents

FUNCTIONAL OVERVIEW	3
1 INTRODUCTION	3
2 ANALOGUE FUNCTIONALITY.....	3
3 DIGITAL FUNCTIONALITY	3
4 HARDWARE CONFIGURATION	4
5 USER CONFIGURABLE OPTIONS.....	11
6 PROXSENSE[®] MODULE	17
7 COMMUNICATION	22
8 RF NOISE	27
9 COMMUNICATION COMMAND/ADDRESS STRUCTURE	29
10 IQS333 OTP OPTIONS	40
11 SPECIFICATIONS	41
12 PACKAGE INFORMATION	45
13 DEVICE MARKING.....	50
14 ORDERING INFORMATION	50
15 ERRATA	51
16 DATASHEET REVISION HISTORY.....	51
APPENDIX A. CONTACT INFORMATION.....	52



Functional Overview

1 Introduction

The **IQS333** is a 9 channel projected (7 self) capacitive proximity and touch sensor featuring an internal voltage regulator and reference capacitor (C_s).

The device has 7 possible pins for the connection of the sense electrodes, which consist of 7 Self electrodes, or 3 transmitters and 3 receivers. Three pins are used for serial data communication through the I²C™ compatible protocol, including an optional RDY pin. Up to 9 configurable outputs provide 8 PWM or general purpose I/O's. There is also a dedicated pin for driving a buzzer.

The device automatically tracks slow varying environmental changes via various filters, detects noise and is equipped with an Automatic Tuning Implementation (ATI) to adjust the device for optimal sensitivity.

1.1 Applicability

All specifications, except where specifically mentioned otherwise, provided by this datasheet are applicable to the following ranges:

- Temperature -20°C to +85°C
- Supply voltage (V_{DDHI}) 1.8V to 3.6V

2 Analogue Functionality

CRX and CTX electrodes are arranged in a suitable configuration that results in a mutual capacitance (C_m) between the two electrodes. CTX is charged up to a set positive potential during a charge cycle which results in a negative charge buildup at CRX.

The resulting charge displacement is then measured within the **IQS333** device

through a charge transfer process that is periodically initiated by the digital circuitry. The capacitance measurement circuitry makes use of an internal reference capacitor C_s and voltage reference (V_{REF}).

The measuring process is referred to as a conversion and consists of the discharging of C_s and C_x capacitors, the charging of C_x and then a series of charge transfers from C_x to C_s until a trip voltage is reached. The number of charge transfers required to reach the trip voltage is referred to as the Counts (CS) value.

The analogue circuitry further provides functionality for:

- Power On Reset (POR) detection.
- Brown Out Detection (BOD).
- Internal regulation provides for accurate sampling.

3 Digital Functionality

The digital processing functionality is responsible for:

- Managing BOD and WDT events.
- Initiation of conversions at the selected rate.
- Processing of CS and execution of algorithms.
- Monitoring and execution of the ATI algorithm.
- Signal processing and digital filtering.
- Detection of PROX and TOUCH events.
- Managing outputs of the device.
- Managing serial communications.



4 Hardware Configuration

The **IQS333** can be configured to charge in Self- or Projected-Capacitive mode through the memory map by the host controller. The **IQS333** is default in Self-Capacitive mode, and can be set to Projected-Capacitive mode by setting the “Proj Mode” bit in [Register 0x01](#), byte 0.

In **Self-Capacitive** mode, the **IQS333** has 7 channels. It can be used as 7 discrete buttons OR 1 slider and 4 buttons, OR 2 sliders with 1 button.

In **Projected-Capacitive** mode, the **IQS333** has 9 channels. It can be used as 9 discrete buttons OR 1 slider with 6 buttons, OR 2 sliders with 3 buttons.

4.1 IQS333 Pin Out

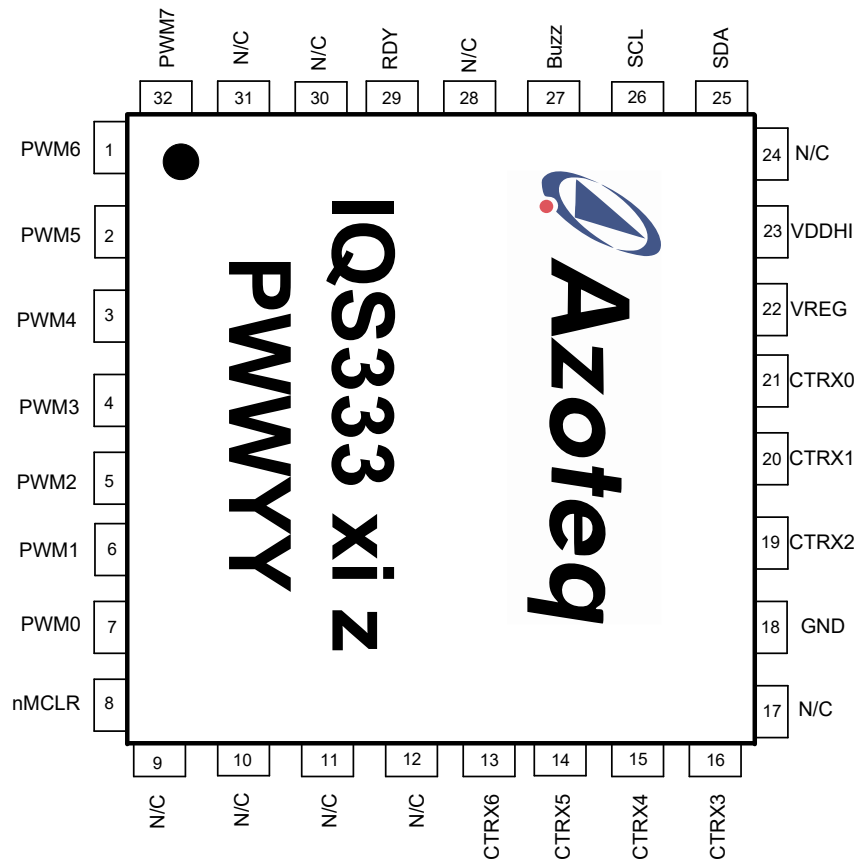


Figure 4.1 IQS333 Pin out in QFN-32.



Table 4.1 IQS333 QFN-32 Pin-outs.

Pin	Self-Capacitive	Projected-Capacitive	Function
1	PWM6	PWM6	Output
2	PWM5	PWM5	Output
3	PWM4	PWM4	Output
4	PWM3	PWM3	Output
5	PWM2	PWM2	Output
6	PWM1	PWM1	Output
7	PWM0	PWM0	Output
8	NMCLR	NMCLR	Master Clear
9	N/C	N/C	No Connect
10	Internal use ¹	Internal use	No Connect
11	Internal use	Internal use	Connect to GND
12	Internal use	Internal use	Connect to GND
13	CX6		Sense Electrode
14	CX5	TX2	Sense Electrode
15	CX4	TX1	Sense Electrode
16	CX3	TX0	Sense Electrode
17	N/C	N/C	No Connect
18	GND	GND	Supply Ground
19	CX2	CRX2	Sense Electrode
20	CX1	CRX1	Sense Electrode
21	CX0	CRX0	Sense Electrode
22	VREG	VREG	Regulator Output
23	VDDHI	VDDHI	Supply Input
24	Internal use	Internal use	No Connect
25	SDA	SDA	I ² C Data
26	SCL	SCL	I ² C Clock
27	BUZ	BUZ	Buzzer
28	N/C	N/C	Connect to GND
29	RDY	RDY	Ready
30	N/C	N/C	No Connect
31	N/C	N/C	No Connect
32	PWM7	PWM7	Output

¹ Do not connect to GND



4.2 Reference Design

4.2.1 Projected Schematic

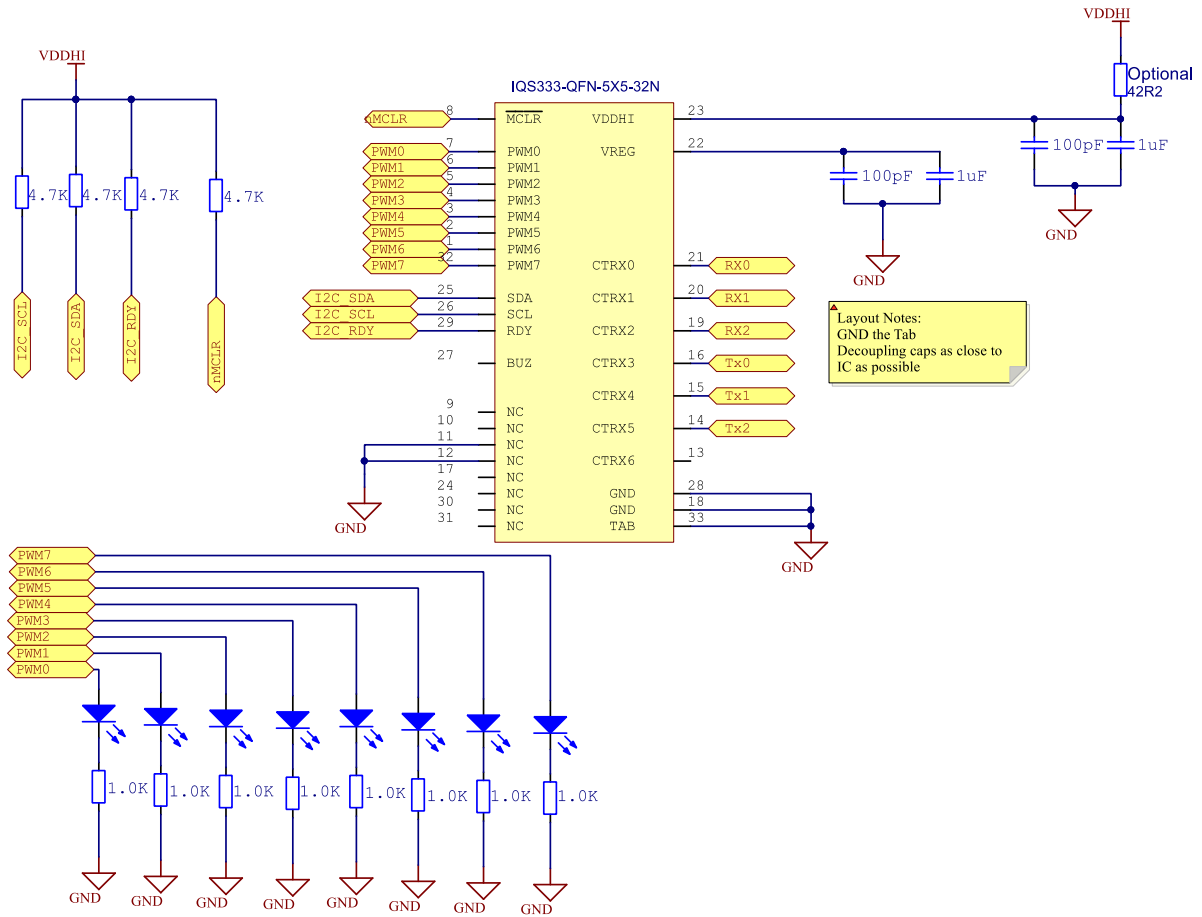


Figure 4.2 IQS333 Reference Design (Projected capacitive sensing).

4.2.2 Projected Electrodes

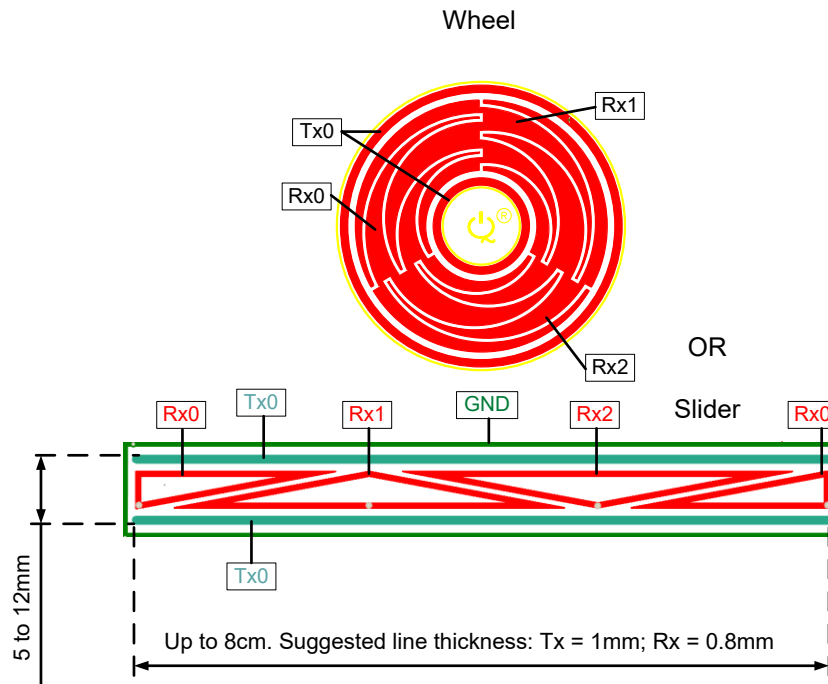


Figure 4.3 Projected-Capacitive Wheel, Slider and Button layout guidelines.
DXF files for wheels and sliders are available on request: info@azoteq.com.



4.2.3 Example Routing

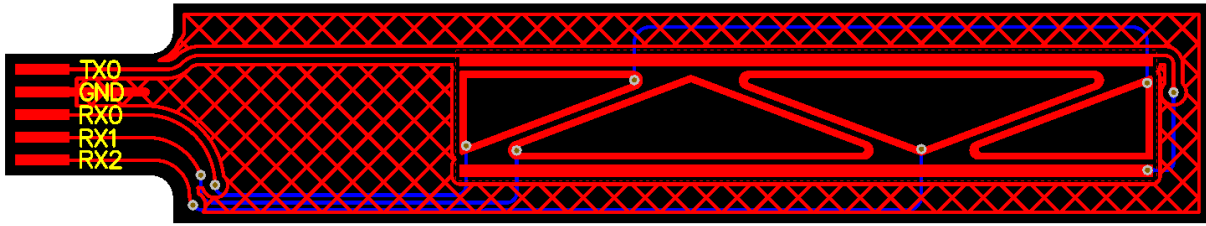


Figure 4.4 Example routing of a projected slider. GND on top layer shields the Rx lines from the user on the bottom layer.

4.2.4 Self-capacitive Schematic

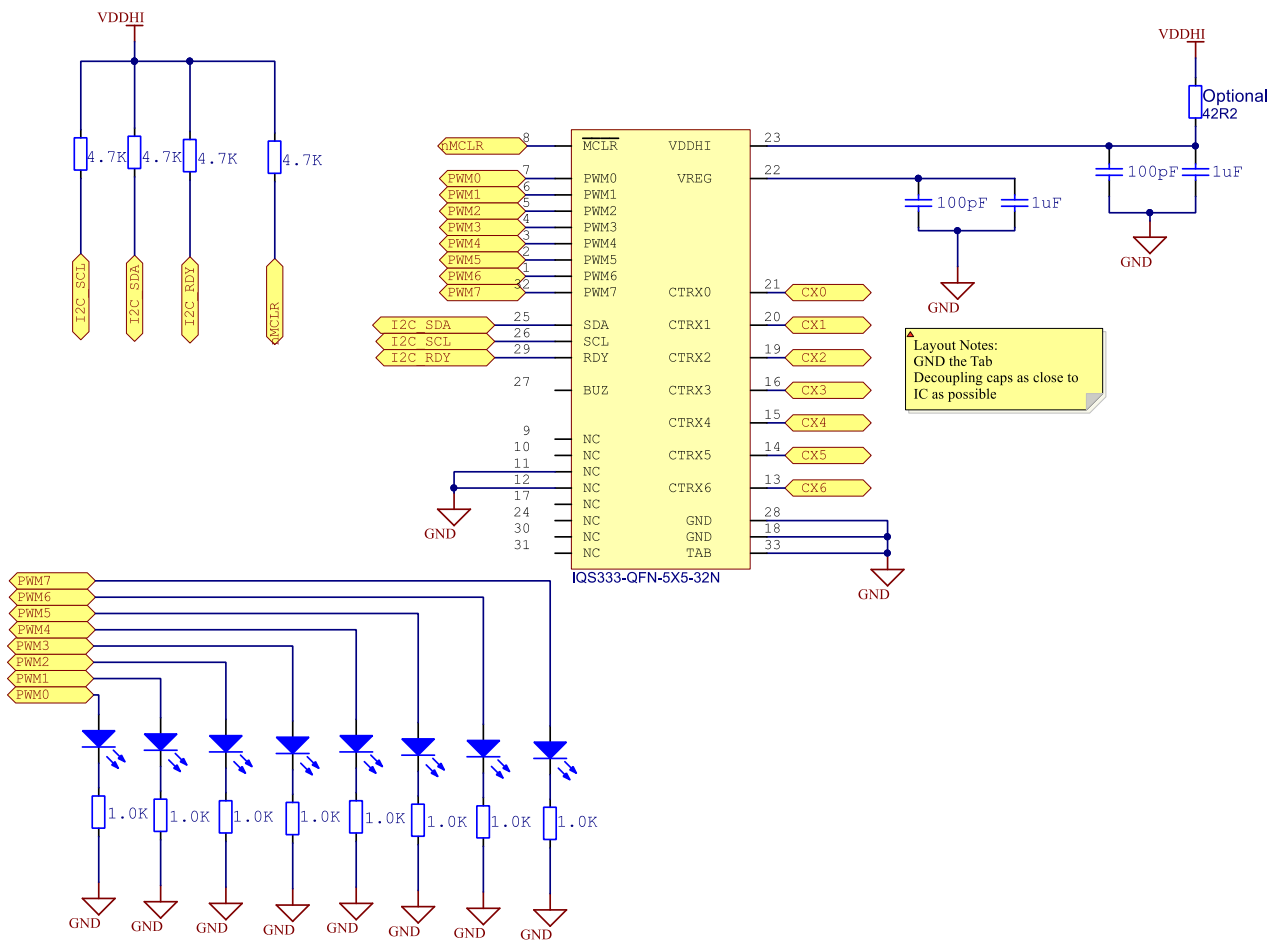


Figure 4.5 IQS333 Self Capacitive Reference Design.

4.2.5 Self Electrode Layouts

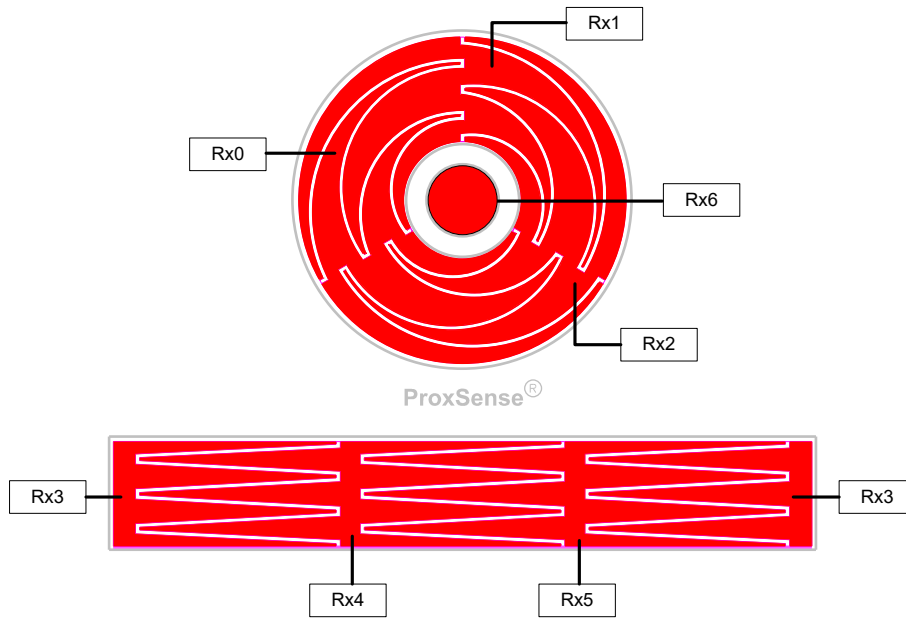


Figure 4.6 Self-Capacitive Wheel, Slider and Button layout guidelines.
DXF files for wheels and sliders are available on request:
info@azoteq.com.

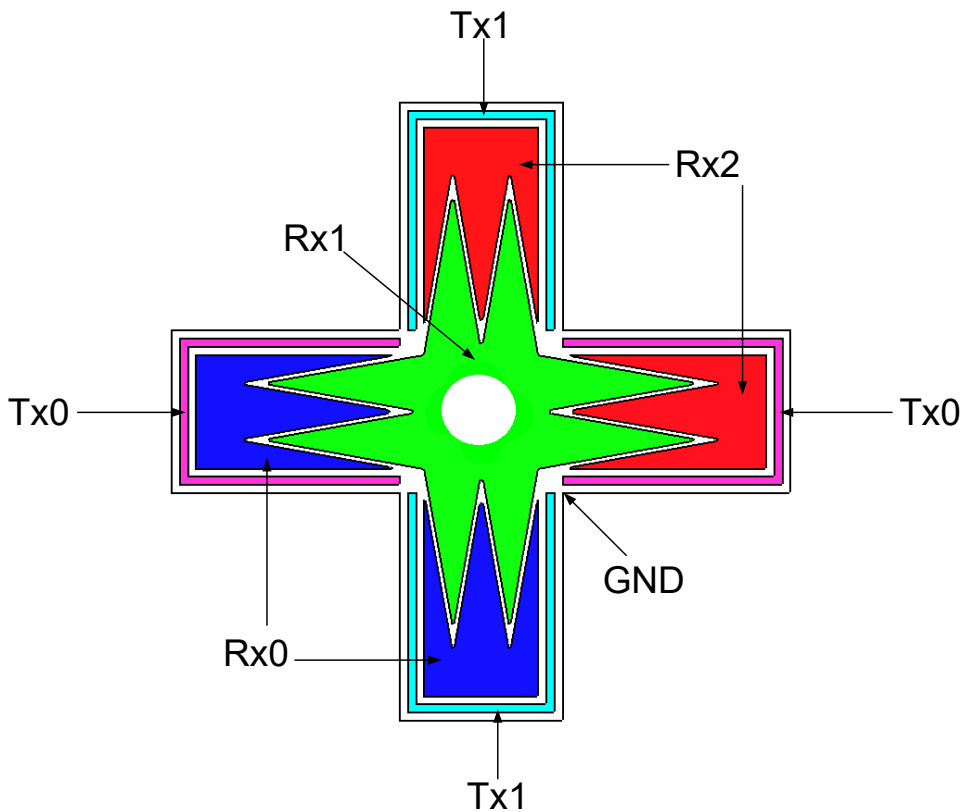


Figure 4.7 Projected XY-cross slider, made possible by the reuse of the Rx electrodes. As these sliders do not wrap around, the full resolution specified will not be achievable.

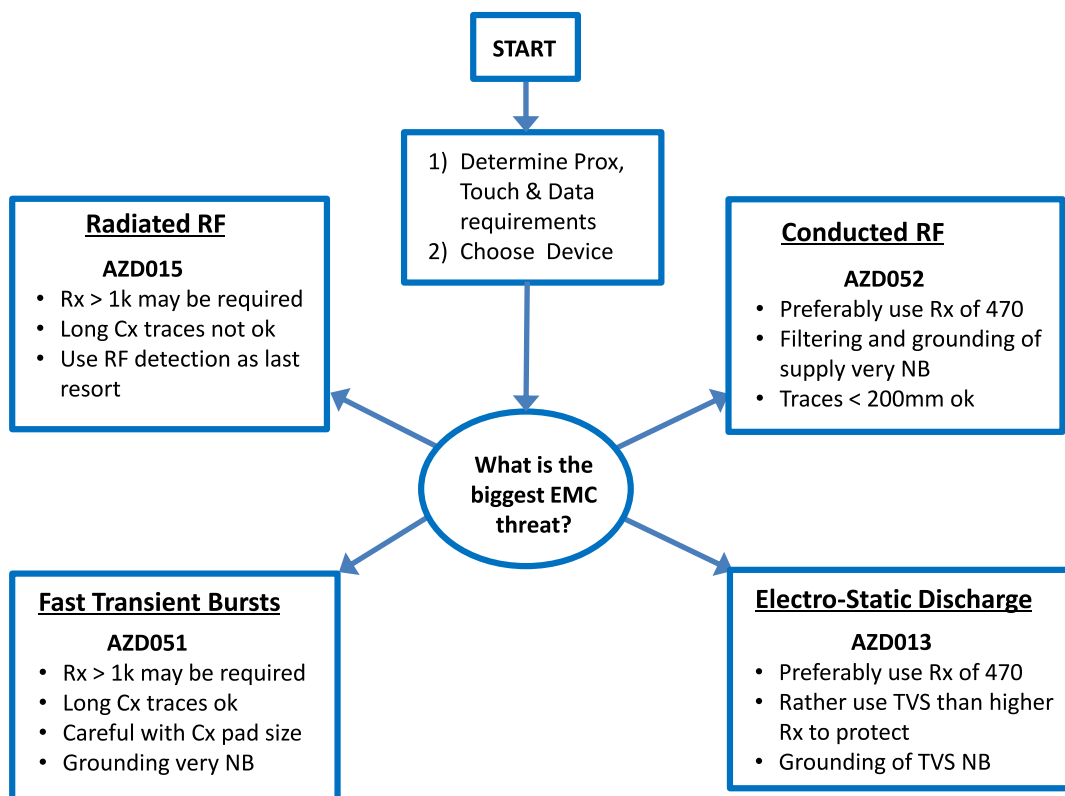


4.3 Power Supply and PCB Layout

Azoteq IC's provide a high level of on-chip hardware and software noise filtering and ESD protection (refer to application note “**AZD013 – ESD Overview**”). Designing PCB's with better noise immunity against EMI, FTB and ESD in mind, it is always advisable to keep the critical noise suppression components like the de-coupling capacitors and series resistors in **Figure 4.2** as close as possible to the IC. Always maintain a good ground connection and ground pour underneath the IC. For more guidelines please refer to the relevant application notes as mentioned in **Section 4.4**.

Where a system level ESD strike is found to cause the IC to go into ESD induced latch-up, it is suggested that the supply current to the IQS333 IC is limited by means of a series resistor that could limit the maximum supply current to the IC to <80mA.

4.4 Design Rules for Harsh EMC Environments



➤ **Applicable application notes: AZD013, AZD015, AZD051, and AZD052.**

4.5 High Sensitivity

Through patented design and advanced signal processing, the device is able to provide extremely high sensitivity to detect proximity. This enables designs to detect proximity at distances that cannot be equaled by most other products. When the device is used in environments where high levels of noise or floating metal objects exist, a reduced proximity threshold is proposed to ensure reliable functioning of the sensor. The high sensitivity also



allows the device to sense through overlay materials with low dielectric constants, such as wood or porous plastics.

For more guidelines on the layout of capacitive sense electrodes, please refer to application note **AZD008**, available on the Azoteq web page: www.azoteq.com.

5 User Configurable Options

The **IQS333** requires configuration by a master/host controller or MCU. The user needs to select the number of channels and corresponding touch and proximity thresholds.

5.1 Self and Projected Modes

The **IQS333** can function as a Self or Projected capacitive controller, depending on the application requirement. The **IQS333** is default in Self capacitive mode. Pre-configured devices can be ordered for projected mode, or the user can select the operation mode as projected during initialization by setting the “Proj Mode” bit in [Register 0x01](#), byte 0 (Sysflags0).

5.2 Active Channels

The **IQS333** can be configured to have up to 9 active touch channels (CH1-CH9) with one additional proximity channel (CH0) in projected charging mode. By default CH0 is a distributed proximity channel, comprised of charging all the channels together in one timeslot. There is an option to only charge Tx0 (transmitter) and CTRX0 – CTRX2 (receivers) together (see Figure 5.1). by setting the CH0_Settings bit in [Register 0x08](#), byte 6.

The **IQS333** can be configured to have up to 7 active touch channels (CH1-CH7) with one additional proximity channel (CH0) in self-capacitive charging mode. CH0 is a distributed proximity channel, comprised of charging all the channels together in one timeslot.

The desired number of channels can be selected in [Register 0x0E](#).

Figure 5.1 illustrates the **IQS333** channels mapped to the respective transmit (CTX) and receive (CRX) sense electrodes. Tx0 is used with all three Rx lines to form wheel 1, and Tx1 is used with all three lines to form wheel 2. All three Rx lines are charged together with Tx0 to form the distributed proximity channel (CH0).

Figure 5.2 illustrates the **IQS333** channels mapped to the respective CTRX lines in Self capacitive charging mode. CX0 to CX2 forms wheel 1, while CX 3 to CX 5 forms wheel 2. All the channels are charged together to form 1 distributed proximity channel (CH0).

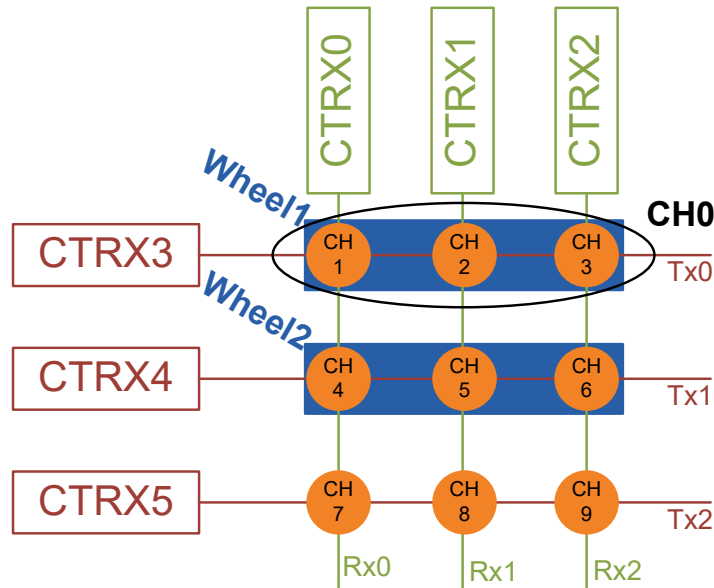


Figure 5.1 IQS333 Channel Mapping in Projected mode. By default CH0 charges all the channels, but can be set to only use Tx0 as shown.

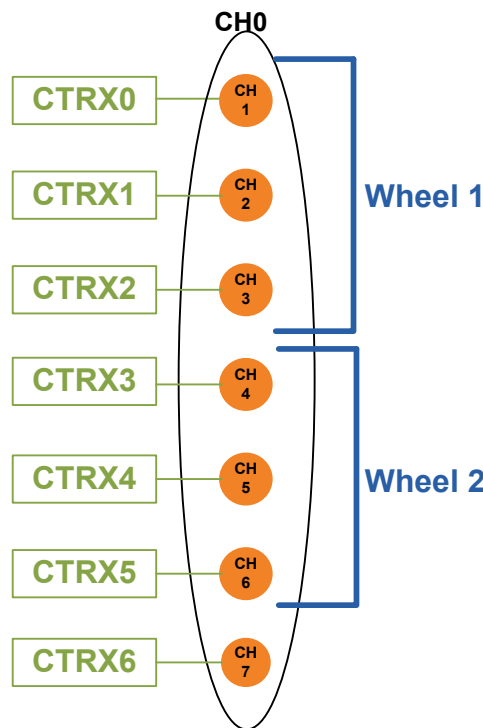


Figure 5.2 IQS333 Channel mapping in Self mode.

5.3 Proximity Threshold

A proximity threshold for channel 0 can be selected by the designer in [Register 0x09](#), byte 0, to obtain the desired proximity trigger level. The proximity threshold is selectable between 1 (most sensitive) and

255 (least sensitive) counts. These threshold values (i.e. 1-255) are specified in Counts (CS). Note: The **IQS333** has a default proximity threshold of 4 counts, $P_{THR} = 4$.



5.4 Touch Thresholds

A touch threshold for each channel can be selected by the designer to obtain the desired touch sensitivity and is selectable between 1/256 (most sensitive) to 255/256 (least sensitive). The touch threshold is calculated as a fraction of the Long-Term Average (LTA) given by,

$$T_{THR} = x/256 \times LTA$$

With lower target values (therefore lower LTA's) the touch threshold will be lower and vice versa.

Individual touch thresholds can be set for each channel (excl. CH0) in [Register 0x09](#), byte 1 to 9.

Note: The **IQS333** has a default touch threshold of 16/256*LTA for all active channels.

5.5 Wheel Enable/Disable

The **IQS333** has the option to enable or disable wheel/slider coordinate calculations on 2 wheels. By default, both wheels will be enabled, but can be disabled by setting the Wheel_Disable bits in [Register 0x08](#), byte 3 (ProxSettings3).

5.6 Wheel Resolution

Both wheels/sliders have resolution up to 11-bit. The resolution can be adjusted between 4-bit and 11-bit, depending on the application requirements and wheel size. The resolution of the wheels cannot be adjusted individually. To adjust the resolution, set the Resolution bits in [Register 0x08](#), byte 3 (ProxSettings3).

5.7 Wheel Filter

A filter is implemented on both wheels/sliders to smooth the output. This filter can be disabled to increase the response rate by setting the Wheel Filter Disable bit in [Register 0x08](#), byte 3 (ProxSettings3).

5.8 Halt times

The Halt Timer is started when a proximity or touch event occurs and is restarted when that event is removed or reoccurs. When a proximity or touch event condition occurs, the LTA values for all channels will be "halted", thus its values will be kept fixed, until the proximity event is cleared, or the halt timer reaches the halt time. The halt timer will count to the selected halt time (t_{HALT}), which can be configured in [Register 0x0A](#), byte 0. There is also the option to change to never halt or always halt instead of t_{HALT} by setting the HALT bits in [Register 0x08](#), byte 2 (ProxSettings2). When the timer expires, the output will be cleared, and a reseed or re-ATI event will occur (depending on whether the counts are within the ATI band).

It is possible that the CS (Count Value) could be outside the ATI boundary (ATI Target +/- 12.5%) when the timer expires, which will cause the device to perform a re-ATI event on that channel and not just a reseed event.

The designer needs to select a halt timer value (t_{HALT}) to best accommodate the required application. The value of t_{HALT} is selectable between 1 and 255 (times 250ms). The default value is 0x50H (80 decimal times 250ms = 20 seconds).

There is also the option to set t_{HALT} timer to never halt, or always halt in [Register 0x08](#), byte 2 (Prox_Settings2).

5.9 AC Filter

The AC filter can be implemented to provide better stability of Counts (CS) in electrically noisy environments.

The AC filter also enforces a longer minimum sample time for detecting proximity events on CH0, which will result in a slower response rate when the device



enters low power modes. The AC filter can be disabled in [Register 0x08](#), byte 2 (Prox_Settings2).

The AC filter is implemented on all channels, to aid in the slider coordinate calculations, but touch events are determined on unfiltered count values.

5.10 Power Modes

5.10.1 LP Modes

The IQS333 IC has a wide range of configurable low power modes, specifically designed to reduce current consumption for low power and battery applications.

The power modes are implemented around the occurrence of a charge cycle every t_{LP} seconds. The value of t_{LP} is determined by the custom (LP_{value}) value between 1 and 255 in [Register 0x0A](#), byte 2, multiplied by 16ms. Only CH0 is charged during LP, and is forced active (CH0 cannot be disabled). The other active channels will be periodically charged to keep their LTA filter values up to date.

Lower sampling frequencies typically yield significant lower power consumption (but also decreases the response time)

NOTE: While in any power mode the device will zoom to Boost Power (BP) mode whenever the condition $(CS - LTA)^1 > PROX_TH$ or $TOUCH_TH$ holds, indicating a possible proximity or touch event. This improves the response time. The device will remain in BP for t_{ZOOM} (4 seconds) after the last proximity event on CH0 is cleared and then return to the selected power mode. A proximity event during the zoom time will reset the timer. The Zoom function allows reliable detection of events with counts being produced at the

BP rate. The LP charge cycle timing is illustrated in **Figure 5.3**. The bit0 in [Register 0x01](#), byte 0 (Sys_Flags0), will indicate if low power is active, or the device is zoomed in.

When designing for low power operation, the V_{REG} capacitors should ensure that V_{REG} does not drop more than 50mV during low power operations.

¹ CS-LTA in Projected mode. LTA-CS in Self capacitive sensing mode.

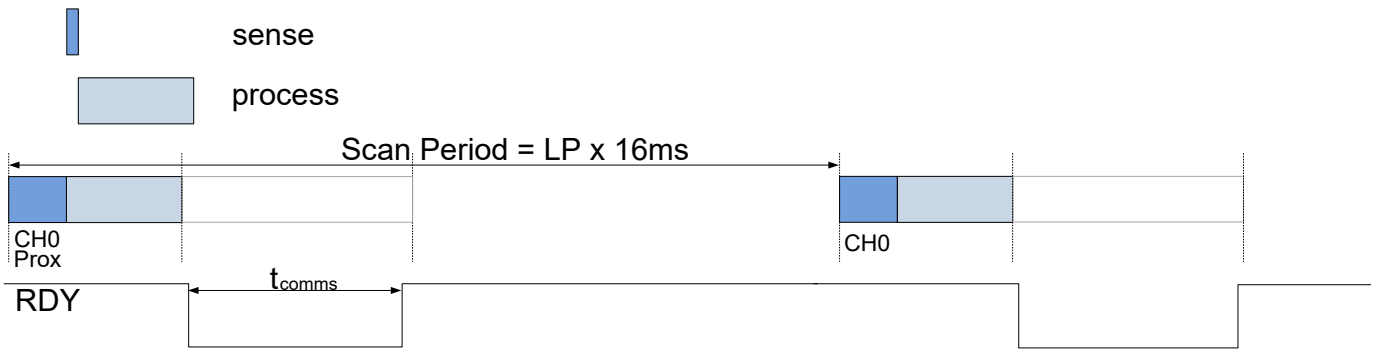


Figure 5.3 IQS333 Charge Cycle Timing in Low Power Mode.

Typical timings of the charge sequence shown above are listed in Table 5.1. These timings are only as reference, as they will differ with each application, depending on the setup of the **IQS333**. For example, the sense (or charge time) is affected by the target counts and charge transfer frequency, while process time is dependent on the turbo mode activation, ATI checking for counts within the pre-set band, filter settings and slider calculations. Communication time is affected by the MCU clock speed and the amount of data read (as well as the sequence thereof) and can be bypassed with using Event Mode. Communication time and the number of active channels will influence the Scan Period. Values shown below are for default settings.

Table 5.1 Typical Timings in LP mode

Typical timings of IQS333		
t_{sense}	900	μs
$t_{process}$	1.4	ms
t_{comms}	6	ms
Scan Period ¹	LP register setting x 16	ms

¹ All channels active, and all data read during communication window. Projected mode, all other settings default.



5.10.2 Turbo Mode

Setting the Turbo Mode bit in [Register 0x08](#), byte 1 (Prox_settings1) will enable the **IQS333** device to perform conversions (charge transfers or sensing) as fast as processing and communication allows. Enabling Turbo Mode will maximize detection speeds, but also increase current consumption. Disabling Turbo Mode will yield in a fixed sampling period t_{Sample} .

5.11 ATI Method

The **IQS333** can be set up to perform sensor calibration in three ways: Full ATI, Partial ATI and Alternative ATI. The ATI method is selected or turned off in [Register 0x08](#), byte 0 (Prox_Settings0).

In **Full ATI** mode, the device automatically selects the multipliers through the ATI algorithm to setup the **IQS333** as close as possible to its default sensitivity for the environment where it was placed.

The user can however, select **Partial ATI**, and set the multipliers to pre-configured values. This will cause the **IQS333** to only calculate the compensation (not the compensation and multipliers as in Full ATI), which allows the freedom to make the **IQS333** more or less sensitive for its intended environment of use. The Partial ATI also reduces start-up and re-ATI times.

In Alternative ATI, the **IQS333** will take the smallest multiplier values from Full ATI, and apply it to all the channels, and the algorithm will determine the compensation values. Special attention should be paid to layout when using Alternative ATI when using a wheel and/or slider, as multipliers for sliders and touch keys are not always in the same range.

5.12 Base Value

The **IQS333** has the option to individually change the base value of each channel during the Full ATI algorithm. Depending on the application, this provides the user with another option to select the sensitivity of the **IQS333** without changes in the hardware (CRX/CTX sizes and routing, etc).

The base values are set in [Register 0x06](#), byte 0 to 9 (for channels 0 to 9). The base values can be selected to be **200**(default), **75**, **100** or **150**.

The base value influences the overall sensitivity of the channel and establishes a base count from where the ATI algorithm starts executing. A lower base value will typically result in a higher sensitivity of the respective channel, as lower multipliers will be selected, and more compensation would be required.

5.13 Target Value

The default target value of the **IQS333** is 512 counts for the touch channels and 1024 counts for the proximity channel.

The target values are calculated by multiplying the value in [Register 0x0B](#), byte 0 (for channel 0) & byte 1 (for channels 1 to 9) by 8.

Example: CH0 target = Register Value x 8
= 128(default) x 8 = 1024.

5.14 Charge Transfer Speed

The frequency at which charge cycles are performed can be adjusted by the Charge Xfer Speed bits in [Register 0x08](#), byte 1 (Prox_Settings1).

Adjusting the charge transfer speed will change the charge cycle duration (t_{SENSE}) as shown in **Figure 5.3**.

The charge transfer frequency is a fraction of the main oscillator (FOSC = 8MHz) and



can be set at **1MHz** (default), **500kHz**, **250kHz** (not recommended for projected) or **2MHz**.

Higher charge transfer speeds are preferred for applications that require increased immunity against aqueous substances.

5.15 C_s Size

Another method to adjust the sensitivity of the **IQS333** is to change the size of the internal C_s capacitor. The size on default is 60pF, but can be changed to 30pF by setting the C_s_Size bit in [Register 0x08](#), byte 0 (Prox_Settings0). Choosing the smaller C_s size will effectively reduce the number of counts before ATI, thus changing the multiplier and compensation values required to reach the ATI target.

5.16 Projected Bias

The **IQS333** has the option to change the bias current of the transmitter during projected sensing mode. A larger bias current is required to use larger electrodes, but will also increase the IC power consumption. The bias current is default on 10µA, and can be changed in [Register 0x08](#), byte 0 (Prox_Settings0).

5.17 Additional Features

5.17.1 Halt Charge

Setting the Halt Charge bit in [Register 0x08](#), byte 1 (Prox_Settings1), will stop all conversions.

This function is typically useful for ultra-low power requirements, where the **IQS333** can be controlled by a host MCU and does not require wake-up on proximity or touch events. This is a low power alternative to switching off, where no sensing is required, to avoid resetting the memory map.

During Halt Charge, a 512ms wake up timer is used. The VREG capacitor needs to ensure VREG does not drop more than 100mV during Halt Charge. A capacitor of 4.7µA or bigger is suggested. For

applications using Halt Charge, pin 11 and pin 12 needs to be connected to GND.

5.17.2 Force Halt

The Force Halt bit in [Register 0x08](#), byte 2 (Prox_Settings2) can be set to halt all current LTA values and prevent them from being adjusted towards the CS values.

Setting this bit overrides all filter halt settings and prevents the device from performing re-ATI events in cases where the CS values persist outside the ATI boundaries for extended periods of time. Reseed will also not be possible.

5.17.3 CTX / CRX Float

During the charge transfer process, the channels that are not being processed during the current cycle, are effectively grounded to decrease the effects of noise-coupling between the sense electrodes. Grounding these traces is useful in applications with long tracks between IC and sense electrode.

In [Register 0x08](#), byte 5, there is the option to specify which channels' transmit and/or receive electrodes to float when they are not charged. This is particularly useful for applications with self-capacitive wheels/sliders with thick overlays, where more sensitivity is required. Sensitivity will be increased when floating the wheel channels, as they charge in series, and not parallel.

6 ProxSense® Module

The **IQS333** contains a ProxSense® module that uses patented technology to provide detection of proximity and touch conditions on numerous sensing lines.

The ProxSense® module is a combination of hardware and software, based on the principles of charge transfer measurements.



6.1 Charge Transfer Concept

On ProxSense® devices like the **IQS333**, capacitance measurements are taken with a charge transfer process that is periodically initiated.

For projected capacitive sensing, the device measures the capacitance between 2 electrodes referred to as the transmitter (CTX) and receiver (CRX).

The measuring process is referred to as a charge transfer cycle and consists of the following:

- Discharging of an internal sampling capacitor (C_s) and the electrode capacitors (mutual: CTX & CRX) on a channel.
- charging of CTX's connected to the channel
- and then a series of charge transfers from the CRX's to the internal sampling capacitors (C_s), until the trip voltage is reached.

The number of charge transfers required to reach the trip voltage on a channel is referred to as the Current Sample (**CS**) or Count value (Counts).

The device continuously repeats charge transfers on the sense electrodes connected to the CRX pins. For each channel a Long Term Average (**LTA**) is calculated (12 bit unsigned integer values). The count (CS) values (12 bit unsigned integer values) are processed and compared to the LTA to detect Touch and Proximity events.

Please note: Attaching scope probes to the CTX/CRX pins will influence the capacitance of the sense electrodes and therefore the related CS values of those channels. This will have an instant effect on the CS measurements.

6.2 Rate of Charge Cycles

The **IQS333** samples all its active channels (up to 9 + channel 0 for proximity) in 10 timeslots. The charge sequence (as measured on the receive electrodes) is shown in Figure 6.1, where CH0, the Proximity channel, charges first, followed by all other active channels. There is only a communication window after all active channels have been charged.

The charging of CH0 comprises the simultaneous charging of the three receive electrodes (CRX0, CRX1 and CRX2) in conjunction with all transmit electrodes, thus realising a distributed load mutual capacitive sense electrode. Refer to **Figure 5.1** for **IQS333** channel numbering. The user has the option to only charge 1 Tx (Tx0/CTRX3) together with all 3 receivers, by setting the 1 Tx bit in [Register 0x08](#), byte 1 (Prox_Settings1).

In self-capacitive mode, CH0 is also a distributed channel charging all 7 CX channels together.

6.2.1 Boost Power rate

With the **IQS333** zoomed to Boost Power (BP) mode, the active channels are charged at a fixed sampling period (t_{SAMPLE}) per channel (if Turbo Mode is not enabled). This is done to ensure regular samples for processing of results, and fix timings for the halt times.

It is calculated as each channel having a time $t_{SAMPLE} = \text{charge/conversion time } (t_{SENSE}) + \text{computation time } (t_{PROCESS})$ of approximately $t_{SAMPLE} = 1.6\text{ms}$. Thus the time between consecutive samples on a specific channel (Scan Period) will depend on the number of enabled channels and the length of communication between the **IQS333** and the host MCU. Communication will always happen after processing of the last active channel. Due to processing and charging happening in parallel, CH0 will charge while the last active channel is processed. Therefore, communication



windows will always be after CH0 has charged.

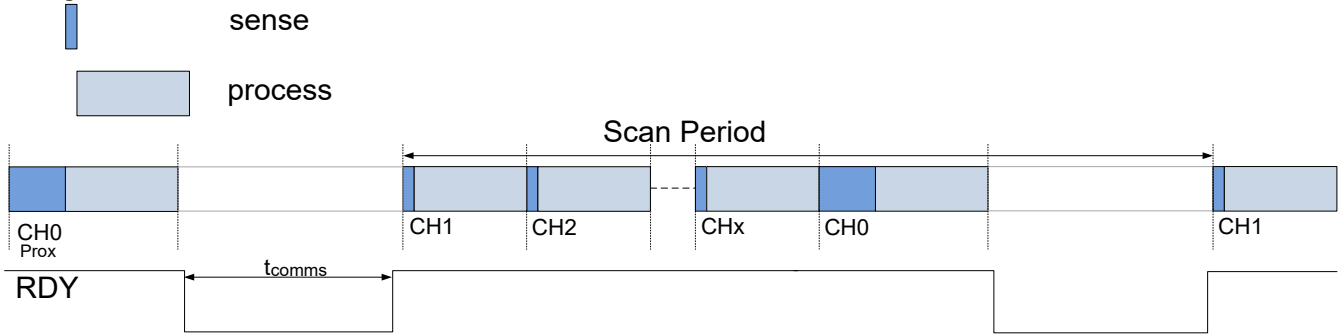


Figure 6.1 IQS333 Charge Sequence timing diagram in Boost Power mode.

Typical timings of the charge sequence shown above are listed in Table 6.1. These timings are only as reference, as they will differ with each application, depending on the setup of the **IQS333**. For example, the sense (or charge time) is affected by the target counts and charge transfer frequency, while process time is dependent on the turbo mode activation, ATI checking for counts within the pre-set band, filter settings and slider calculations. Communication time is affected by the MCU clock speed and the amount of data read (as well as the sequence thereof) and can be bypassed with using Event Mode. Communication time and the number of active channels will influence the Scan Period. Values shown below are for default settings.

Table 6.1 Typical Timings

Typical timings of IQS333		
t_{sense}	600	μs
$t_{process}$	1.4	ms
t_{comms}	6	ms
Scan Period ¹	26	ms

¹ All channels active, and all data read during communication window. Projected mode, all other settings default.



6.2.2 Low Power rate

A wide range of low current consumption charging modes is available on the **IQS333**.

In any Low Power (LP) mode, there will be an applicable low power time (t_{LP}). This is determined by [Register 0x0A](#), byte 1. The value written into this register multiplied by 16ms will yield the LP time (t_{LP}).

With the detection of an undebounced proximity event the IC will zoom to BP mode, allowing a very fast reaction time for further possible touch events.

During any LP mode, only channel 0 is charged every t_{LP} . The LP charge timing is illustrated in **Figure 5.3**.

If a low power rate is selected and charging is not in the zoomed state (BP mode), the low power active bit (Register 0x01) will be set.

Please refer to **Section 5.10**.

6.3 Touch report Rate

During Boost Power (BP) mode, the touch report rate of the **IQS333** device depends on the charge transfer frequency, the number of channels enabled and the length of communications performed by the host MCU or master device.

Several factors may influence the touch report rate:

- **Enabled channels:** Disabling channels that are not used will not only increase the touch report rate, but will also reduce the device's current consumption.
- **Turbo Mode:** See **Section 5.10.2**
- **Target Values:** Lower target values requires shorter charge transfer times (t_{SENSE}), thus reducing the SCAN PERIOD and increasing the touch report rate.

- **Charge Transfer Speed:** Increasing the charge transfer frequency will reduce the conversion time (t_{SENSE}) and increase the touch report rate.
- **ACF:** Disabling the AC filter and wheel/slider position calculations will reduce the processing time ($t_{PROCESS}$) and yield a faster report rate.

6.4 Long Term Average

The Long-term Average (LTA) filter can be seen as the baseline or reference value. The LTA is calculated to continuously adapt to any environmental drift. The LTA filter is calculated from the CS value for each channel. The LTA filter allows the device to adapt to environmental (slow moving) changes/drift. Actuation (Touch or Prox) decisions are made by comparing the CS value with the LTA reference value.

The 12bit LTA values are contained in [Register 0x05](#). Low bytes first, from CH0 up to CH9 (18 bytes in total).

Please refer to **Section 5.8** for LTA Halt Times.

6.5 Determine Touch or Prox

An event is determined by comparing the CS value with the LTA. Since the CS reacts differently when comparing the self- with the mutual capacitance technology, the user should consider only the conditions for the technology used.

An event is recorded if:

- Self: $CS < LTA - \text{Threshold}$
- Projected: $CS > LTA + \text{Threshold}$

Threshold can be either a Proximity or Touch threshold, depending on the current channel being processed.



Note that a proximity condition will be forced enabled if there is a touch condition on any channel.

Please refer to **Section 1.1** and **5.4** for proximity and touch threshold selections.

6.6 ATI

The **Automatic Tuning Implementation (ATI)** is a sophisticated technology implemented on the new ProxSense® series devices. It allows for optimal performance of the devices for a wide range of sense electrode capacitances, without modification or addition of external components.

The ATI allows the tuning of two parameters, an ATI Multiplier and an ATI Compensation, to adjust the Count values for an attached sense electrode.

ATI allows the designer to optimize a specific design by adjusting the sensitivity and stability of each channel through the adjustment of the ATI parameters.

The **IQS333** has a full ATI function. The full-ATI function is default enabled, but can be disabled by setting the `ATI_OFF` bit, or changed to partial or alternative ATI by setting the `ATI_Partial` and `ATI_ALT` bits in [Register 0x08](#), byte 0.

The `ATI_Busy` bit in [Register 0x01](#), byte 0 (`Sysflags0`) will be set while an ATI event is busy.

For more information regarding the ATI algorithm, please contact Azoteq at: ProxSenseSupport@azoteq.com

6.6.1 ATI Sensitivity

On the **IQS333** device, the user can specify the **BASE** value (**Section 5.12**) for each channel individually and the **TARGET** values (**Section 5.13**) for the proximity (CH0) and touch (CH1-CH9) channels.

Sensitivity is a function of base and target values as follows:

$$\text{Sensitivity} \propto \frac{\text{TARGET}}{\text{BASE}}$$

As can be seen from this equation, the sensitivity can be increased by either increasing the Target value or decreasing the Base value. It should, however, be noted that a higher sensitivity will yield a higher noise susceptibility.

6.6.2 ATI Target

The target value is reached by adjusting the `COMPENSATION` bits for each channel (ATI target limited to 4096 counts).

The target value is written into the respective channel's `TARGET` registers. The value written into these registers multiplied by 8 will yield the new target value. (Please refer to **Section 5.13**)

6.6.3 ATI Base (Multiplier)

The base value is calculated with the compensation set to zero. The following parameters will influence the base value:

- `Cs_SIZE`¹: Size of sampling capacitor.
- `PROJ_BIAS` bits: Adjusts the biasing of some analogue parameters in the mutual capacitance operated IC. (Only applicable in mutual capacitance mode.)
- Charge Transfer Frequency
- `MULTIPLIER` bits.

The base value used for the ATI function can be implemented in 2 ways:

1. `ATI_PARTIAL` = 0. ATI automatically adjusts `MULTIPLIER` bits to reach a selected base value². Please refer to **Section 5.12** for available base values.

¹ Changing `CS_SIZE` if `ATI_OFF` = 0 will change CS

² ATI function will use user selected `CS_SIZE` and `PROJ_BIAS` (if applicable) and will only adjust the `MULTIPLIER` bits to reach the base values.



2. ATI_PARTIAL = 1. The designer can specify the multiplier settings. These settings will give a custom base value from where the compensation bits will be automatically implemented to reach the required target value. The base value is determined by two sets of multiplier bits. Sensitivity Multipliers which will also scale the compensation to normalise the sensitivity and Compensation Multipliers to adjust the gain.

6.6.4 Re-ATI

An automatic re-ATI event will occur if the counts are outside its re-ATI limits. The re-ATI limit or ATI boundary is calculated as the target value divided by 8. For example:

- Target = 512, Re-ATI will occur if CS is outside 512±64.

A re-ATI event can also be issued by the host MCU by setting the REDO_ATI bit in [Register 0x08](#), byte0 (ProxSettings0). The REDO_ATI bit will clear automatically after the ATI event was started.

Note: Re-ATI will automatically clear all proximity, touch and halt status bits.

6.6.5 Reseed

Setting the Reseed bit in [Register 0x08](#), byte 0), will shift all LTA filters to a value of

$LTA_{new} = CS + 8$ (CS – 8 for Self). The LTA will then track the CS value until they are even.

Performing a reseed action on the LTA filters, will effectively clear any proximity and/or touch conditions that may have been established prior to the reseed call.

6.6.6 Alternative ATI

The Alternative ATI implementation ensures that all the multiplier values are identical for all the channels and adjusts only the compensation in order to achieve the desired count value. The multipliers are selected from the channel with the smallest multipliers according to the full ATI algorithm. Alternative ATI can be enabled in [Register 0x08](#), byte 0.

6.6.7 ATI ERROR

The ATI error bit (read only) in [Register 0x08](#), byte 1 (Prox_Settings1) indicates to the user that the ATI targets were not reached. Adjustments of the base values or ATI BANDs are required.

6.6.8 ATI Band

The user has the option to select the re-ATI band as 1/8 of the ATI target (default) or 1/4 of the ATI target counts by setting the ATI BAND bit in [Register 0x08](#), byte 1 (Prox_Settings1).

7 Communication

The IQS333 device interfaces to a master controller via a 3-wire (SDA, SCL and RDY) serial interface bus that is I²C™ compatible, with a maximum communication speed of 400kbit/s.

7.1 Control Byte

The Control byte indicates the 7-bit device address (64H default) and the Read/Write indicator bit. The structure of the control byte is shown in Figure 7.1.

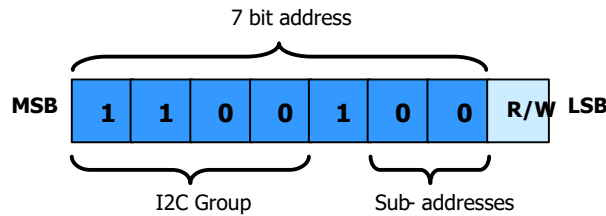


Figure 7.1 IQS333 Control Byte.

The I²C device has a 7 bit Slave Address (default 0x64H) in the control byte as shown in Figure 7.1. To confirm the address, the software compares the received address with the device address. Sub-address values can be set by OTP programming options.

7.2 I²C Read

To read from the device a *current address read* can be performed. This assumes that the address-command is already setup as desired.

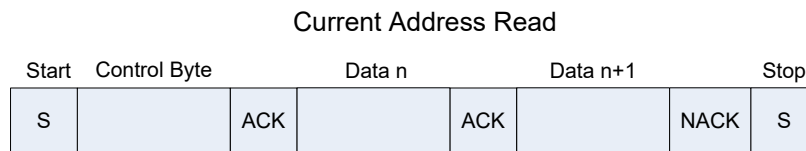


Figure 7.2 Current Address Read.

If the address-command must first be specified, then a *random read* must be performed. In this case a WRITE is initially performed to setup the address-command, and then a repeated start is used to initiate the READ section.

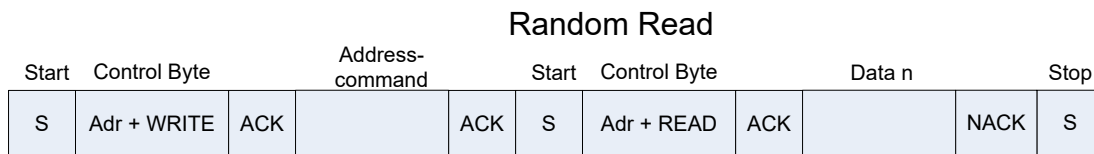


Figure 7.3 Random Read.

7.3 I²C Write

To write settings to the device a *Data Write* is performed. Here the Address-Command is always required, followed by the relevant data bytes to write to the device.

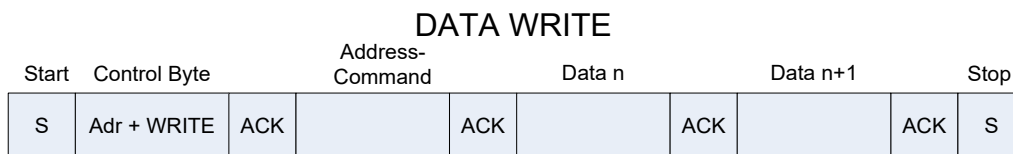


Figure 7.4 I²C Write.

7.4 End of Communication Session / Window

Similar to other Azoteq I²C devices, to end the I²C communication session, a STOP command is given. When sending numerous read and write commands in one communication cycle, a repeated start command must be used to stack them together (since a STOP will jump out of the communication window, which is not desired).

The STOP will then end the communication, and the **IQS333** will return to process a new set of data. Once this is obtained, the communication window will again become available (RDY set LOW).



7.5 I²C Sub-address

The IQS333 has four available sub addresses, 64H (default) to 67H, which allows up to four devices on a single I²C bus.

7.5.1 Internal sub-address selection

Selecting the sub-address via OTP bits allows the user 4 different options:

Table 7.1 I²C sub-address selection

FG25	FG26	Device Address
0	0	0x64
0	1	0x65
1	0	0x66
1	1	0x67

7.6 Event Mode

By default the device operates in full streaming mode. There is an option for an event-driven I²C communication mode (also called “Event Mode”), with the RDY pin ONLY indicating a communication window after a prescribed event has occurred.

These events include:

- Proximity events
- Touch events
- ATI events
- Noise events (Noise detect enabled)

If the wheels/sliders are enabled, the device will stream data continuously when a touch is present on one of the wheel/slider channels, even if Event Mode is enabled. This allows the wheel/slider coordinates to be read continuously.

Event Mode can be enabled by setting the Event_Mode bit in [Register 0x08](#), byte 2 (Prox_Settings2).

Note: The device is also capable of functioning **without** a RDY line on a polling basis.

7.7 RDY Hand-Shake Routine

The master or host MCU has the capability to force a communication window at any time, by pulling the RDY line low. The communication window will open directly following the current conversion cycle.

7.8 I²C Specific Commands

7.8.1 Show Reset

The SHOW_RESET bit can be read in [Register 0x01](#), byte 1 (Sysflags0), to determine whether a reset has occurred on the device. This bit will be set '1' after a reset. A reset can be forced by writing the Soft_Reset bit in [Register 0x08](#), byte 2 (ProxSettings2).

The SHOW_RESET bit will be cleared (set to '0') by writing a '1' into the ACK_RESET bit in [Register 0x08](#), byte 3 (ProxSettings3). A reset will typically take place if a timeout during communication occurs.

7.8.2 WDT disable

The WDT (watchdog timer) is used to reset the IC if a problem (for example a voltage spike) occurs during communication. The WDT will time-out (and thus reset the device) after t_{WDT} if no valid communication occurred during this time.

The WDT can be disabled by setting the WDT Off bit in [Register 0x08](#), byte 2 (ProxSettings2).

7.8.3 Timeout Disable

If no communication is initiated from the master/host MCU within the first t_{COMMS} (t_{COMMS} = 20ms) of the RDY line indicating that data is available (i.e. RDY = low), the device will resume with the next cycle of charge transfers and the data from the previous conversions will be lost.



This time-out function can be disabled by setting the TIME_OUT DISABLE bit in [Register 0x08](#), byte 2 (ProxSettings2).

7.8.4 Soft Reset

The user has the option to do a soft reset on the **IQS333**. The soft reset will clear all the registers (the device will restart as with POR) except the PWM register will keep their state.

A soft reset is initiated by setting the bit in [Register 0x08](#), byte 2 (Prox_Settings2). The bit Soft Reset bit will automatically clear after the command is sent.

7.9 I²C I/O Characteristics

The **IQS333** requires the input voltages given in **Table 7.2**, for detecting high (“1”) and low (“0”) input conditions on the I²C communication lines (SDA, SCL and RDY).

Table 7.2 IQS333 I²C Input voltage

	Input Voltage (V)
V _{inLOW}	0.3*VDDHI
V _{inHIGH}	0.7*VDDHI

Table 7.3 provides the output voltage levels of the **IQS333** device during I²C communication.

Table 7.3 IQS333 I²C Output voltage

	Output Voltage (V)
V _{outLOW}	VSS +0.2 (max.)
V _{outHIGH}	VDDHI – 0.2 (min.)



7.10 PWM Controller

The **IQS333** incorporates a highly configurable PWM controller to implement user configurable LED lighting displays. The various PWM control modes can be easily configured with an I²C interface by writing directly to the control bytes in the memory map. There are 8 identical PWM modules with 15.625kHz PWM carrier frequency which can be controlled independently to allow for a wide range of user configurable options.

7.11 PWM Diming modes

The hardware PWM channels can be controlled through the memory map various diming modes. These include:

- Incrementing to 100%
- Incrementing to a set level
- Decrementing to 0%
- Decrementing to a set level

The speed of the dimming modes is also configurable.

7.12 Dimming During LP

Because the **IQS333** PWM lines requires the use of FOSC to output correctly, the PWM lines cannot be used if low power modes are required in the application. During low power the main oscillator on the **IQS333** goes to sleep which results in dimming changes on all PWM lines.

7.13 PWM Duty Cycle Mapping

Although there are only 5 PWM bits in the MM, the resolution of the PWM engine is effectively 6 bits to ensure a more linear increase in LED brightness. A 6 bit internal timer is compared to a PWM value comprised of the Duty Cycle bits CMP4:0 in [Register 0x0C](#), bytes 0 to 7.

Table 7.4 PWM Duty Cycle Mapping

CMP4:0	PWM Timer Count	PWM DUTY
0	0	0.00%
1	1	1.56%
2	2	3.13%

CMP4:0	PWM Timer Count	PWM DUTY
3	3	4.69%
4	4	6.25%
5	5	7.81%
6	6	9.38%
7	7	10.94%
8	8	12.50%
9	9	14.06%
10	10	15.63%
11	11	17.19%
12	12	18.75%
13	13	20.31%
14	14	21.88%
15	15	23.44%
16	16	25.00%
17	18	28.13%
18	20	31.25%
19	22	34.38%
20	24	37.50%
21	26	40.63%
22	28	43.75%
23	30	46.88%
24	32	50.00%
25	36	56.25%
26	40	62.50%
27	44	68.75%
28	48	75.00%
29	52	81.25%
30	56	87.50%
31	64	100.00%

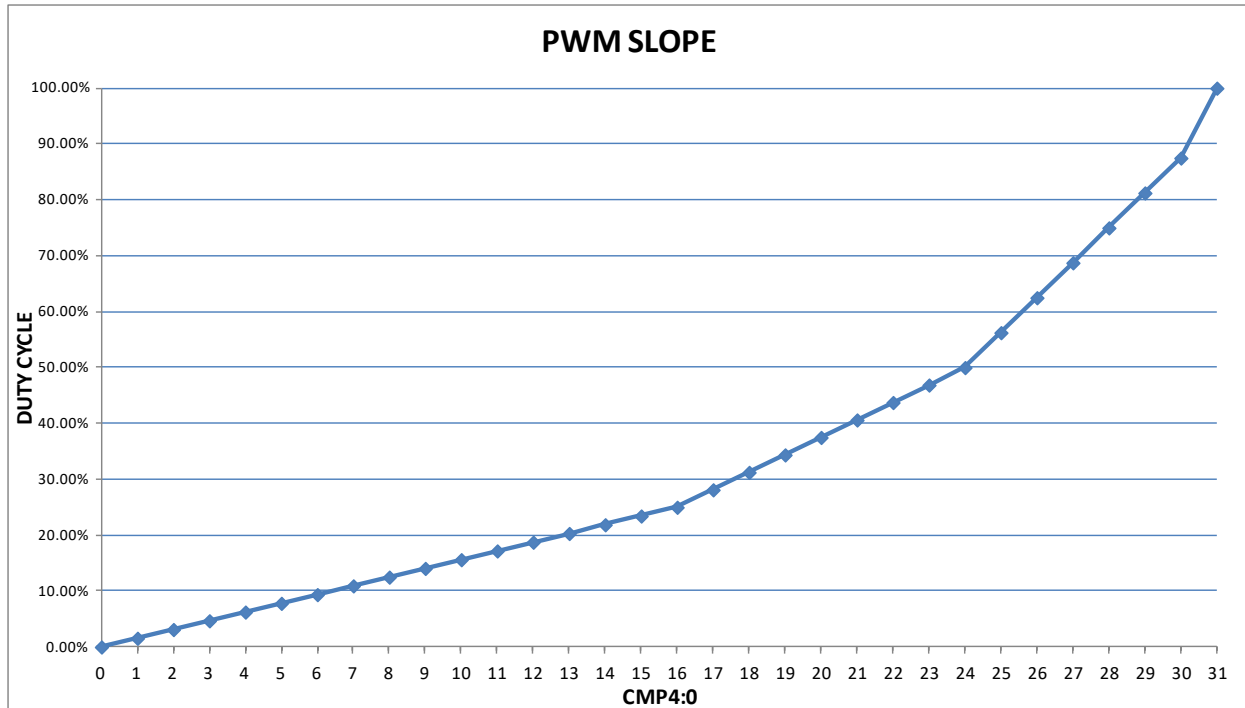


Figure 7.5 PWM Slope.

8 RF Noise

Please see application note: “**AZD015: RF Immunity and detection in ProxSense devices**” for details regarding RF noise and capacitive sensing.

8.1 RF Noise Immunity

The **IQS333** has advanced immunity to RF noise sources such as GSM cellular telephones, DECT, Bluetooth and WIFI devices. Design guidelines should however be followed to ensure the best noise immunity on a hardware level.

In general, the design of capacitive sensing applications may encompass a large range of configurations; however, following the guidelines in **Section 8.1.1** may improve a capacitive sensing design.

8.1.1 Notes for layout:

- A ground plane should be placed under the IC, except under the CRX lines.

- Place the sensor IC as close as possible to the sense electrodes.
- All the tracks on the PCB must be kept as short as possible.
- The capacitor between VDDHI and GND as well as between VREG and GND must be placed as close as possible to the IC.
- A 100 pF capacitor can be placed in parallel with the 1uF capacitor between VDDHI and GND. Another 100 pF capacitor can be placed in parallel with the 1uF capacitor between VREG and GND.
- When the device is too sensitive for a specific application a parasitic capacitor (max 5pF) can be added between the CX line and ground.
- Proper sense electrode and button design principles must be followed.
- Unintentional coupling of sense electrodes to ground and other circuitry must be limited by



increasing the distance to these sources.

- In some instances a ground plane some distance from the device and sense electrode may provide significant shielding from undesirable interference.

- * However, if after proper layout, interference from an RF noise source persists, please refer to application note: “**AZD015: RF Immunity and detection in ProxSense devices**”.



9 Communication Command/Address Structure

9.1 Registers

Table 9.1 IQS333 Registers

Address	Description	Access	Section
0x00H	Device Information	R	9.2.1
0x01H	System Flags	R/W	9.2.2
0x02H	Wheel Coordinates	R	0
0x03H	Touch Bytes	R	9.2.4
0x04H	Counts	R	9.2.5
0x05H	LTA	R	9.2.6
0x06H	Multipliers	R/W	9.2.7
0x07H	Compensation	R/W	9.2.8
0x08H	ProxSettings	R/W	9.2.9
0x09H	Thresholds	R/W	9.2.10
0x0AH	Timings	R/W	9.2.11
0x0BH	Targets	R/W	9.2.12
0x0CH	PWM Duty	R/W	9.2.13
0x0DH	PWM LIM	R/W	9.2.14
0x0EH	Active Channels	R/W	9.2.15
0x0FH	Buzzer	R/W	9.2.16

9.2 Registers Descriptions

9.2.1 Device Information 0x00H

Information regarding the device type and version is recorded here. Any other information specific to the device version can be stored here. Each Azoteq ROM has a unique Product- and Version number.



		Product Number (PROD_NUM)							
Access	Bit	7	6	5	4	3	2	1	0
R	Value	54 (Decimal) ¹							

		Version Number (VERSION_NUM)							
Access	Bit	7	6	5	4	3	2	1	0
R	Value	02 (Decimal)							

9.2.2 System Flags 0x01H

		System Flags (SYSFLAGS0)							
Access	Bit	7	6	5	4	3	2	1	0
R/W	Name	Show reset	Filter Halted	Proj Mode	Is Ch0	LP Active	ATI Busy	Noise detected	Zoom

Bit 5: 0 = Self Capacitive Sensing (Default)
1 = Projected Capacitive Sensing

9.2.3 Wheel Coordinates 0x02H

		Wheel 1 Low							
Access	Bit	7	6	5	4	3	2	1	0
R	Name	Wheel 1 Coordinate Low byte first							

		Wheel 1 High							
Access	Bit	7	6	5	4	3	2	1	0
R	Name	Wheel 1 Coordinate High byte							

¹ Product and Version numbers are 32 14 for QFN20 devices – alpha customers only



		Wheel 2 Low							
Access	Bit	7	6	5	4	3	2	1	0
R	Name	Wheel 2 Coordinate Low byte first							

		Wheel 2 High							
Access	Bit	7	6	5	4	3	2	1	0
R	Name	Wheel 2 Coordinate High byte							

9.2.4 Touch Bytes 0x03H

		Touch Byte 0							
Access	Bit	7	6	5	4	3	2	1	0
R	Name	CH7	CH6	CH5	CH4	CH3	CH2	CH1	CH0 ¹

Bit 0 of the first byte (CH0) will indicate proximity events; the rest of the bits indicate touches as shown.

		Touch Byte 1							
Access	Bit	7	6	5	4	3	2	1	0
R	Name							CH9	CH8

9.2.5 Counts 0x04H

This register has 18 bytes to store the count values of CH0 up to CH9 the low byte will always read out first, followed by the high byte, before the moving to the next channel.

		CH0 Low							
Access	Bit	7	6	5	4	3	2	1	0
R	Name	Channel 0 CS (Counts) Low byte first							

¹ CH0 indicates Proximity, not Touch.



		CH n High							
Access	Bit	7	6	5	4	3	2	1	0
R	Name	Last active channel, Count value (High byte last)							

9.2.6 LTA 0x05H

This register has 18 bytes to store the LTA values of CH0 up to CH9 the low byte will always read out first, followed by the high byte, before the moving to the next channel.

		CH0 LTA Low byte							
Access	Bit	7	6	5	4	3	2	1	0
R	Name								

		CH n LTA High byte							
Access	Bit	7	6	5	4	3	2	1	0
R	Name								

9.2.7 Multipliers 0x06H

		CH0 Multipliers							
Access	Bit	7	6	5	4	3	2	1	0
R/W	Name	<u>Base Value</u>		Sensitivity Multipliers		Compensation Multipliers			

Bit 7:6: 00 = 200 (default)
01 = 75
10 = 100
11 = 150

		CH n Multipliers							
Access	Bit	7	6	5	4	3	2	1	0
R/W	Name	<u>Base Value</u>		Sensitivity Multipliers		Compensation Multipliers			



9.2.8 Compensation 0x07H

		CH0 Compensation value							
Access	Bit	7	6	5	4	3	2	1	0
R/W	Name	Channel 0 Compensation							
Byte 0									

		CH n Compensation Value							
Access	Bit	7	6	5	4	3	2	1	0
R/W	Name	Last active channel Compensation							
Byte n									

9.2.9 ProxSettings 0x08H

		ProxSettings0							
Access	Bit	7	6	5	4	3	2	1	0
R/W	Name	ATI OFF	Partial ATI	ALT ATI	Redo ATI	Reseed	Cs Size	Proj Bias	
Byte 0	Default	0x06H							

- Bit 1:0:** 00 = 2.5µA
 01 = 5µA
 10 = 10µA (default)
 11 = 20µA
- Bit 2:** 0 = Small
 1 = Large

		ProxSettings1							
Access	Bit	7	6	5	4	3	2	1	0
R/W	Name	Charge Transfer Speed		Turbo Mode	Halt Charge	~	CH0 on 1Tx	Error	Band
Byte 1	Default	0x00H							



- Bit 7:6:** 00 = 1MHz
01 = 500kHz
10 = 250kHz
11 = 2MHz
- Bit 2:** 0 = All TX for CH0
1 = Only Tx0
- Bit 0:** 0 = 1/4
1 = 1/8

		ProxSettings2							
Access	Bit	7	6	5	4	3	2	1	0
R/W	Name	Soft Reset	WDT Off	Force Halt	ACF Disable	Timeout Disable	Event Mode	Halt	
Byte 2	Default	0x00H							

- Bit 1:0:** 00 = F_Halt period (Set in Register 0x0A)
01 = F_Halt period (Set in Register 0x0A)
10 = Never
11 = Always

		ProxSettings3							
Access	Bit	7	6	5	4	3	2	1	0
R/W	Name	Wheel Resolution			Wheel Filter Disable		Wheel2 Disable	Wheel1 Disable	ACK Reset
Byte 3	Default	0x00H							

- Bit 6:4:** 000 = 11-bit
111 = 4-bit

		ProxSettings4							
Access	Bit	7	6	5	4	3	2	1	0
R/W	Name	Up				Up Enable	Pass		
Byte 4	Default	0x07H							



		ProxSettings5							
Access	Bit	7	6	5	4	3	2	1	0
R/W	Name	CTR_X_VSS							
Byte 5	Default	0x7FH							

9.2.10 Thresholds 0x09

		Proximity Threshold							
Access	Bit	7	6	5	4	3	2	1	0
R/W	Name	Value							
Byte 0	Default	0x04H							

		Touch Threshold CH1							
Access	Bit	7	6	5	4	3	2	1	0
R/W	Name	$(\text{Value}/256)*\text{LTA}$							
Byte 1	Default	0x10H							

		Touch Threshold CH9							
Access	Bit	7	6	5	4	3	2	1	0
R/W	Name	$(\text{Value}/256)*\text{LTA}$							
Byte 9	Default	0x10H							

9.2.11 Timings 0x0AH

		Filter Halt (t_HALT)							
Access	Bit	7	6	5	4	3	2	1	0
R/W	Name	Steps of 250ms							
Byte 0	Default	0x50H							



		Power Mode (LP)							
Access	Bit	7	6	5	4	3	2	1	0
R/W	Name	Steps of 16ms							
Byte 1	Default	0x00H							

		Timeout Period							
Access	Bit	7	6	5	4	3	2	1	0
R/W	Name	Steps of 1.28ms							
Byte 2	Default	0x10H							

		CH0 ACF Beta							
Access	Bit	7	6	5	4	3	2	1	0
R/W	Name	Value							
Byte 3	Default	0x02H							

		CH1 – CH9 ACF Beta							
Access	Bit	7	6	5	4	3	2	1	0
R/W	Name	Value							
Byte 4	Default	0x02H							

9.2.12 ATI Targets 0x0BH

		ATI Target CH0							
Access	Bit	7	6	5	4	3	2	1	0
R/W	Name	Steps of 8							
Byte 0	Default	128 (Decimal)							



		ATI Targets CH1 to CH 9							
Access	Bit	7	6	5	4	3	2	1	0
R/W	Name	Steps of 8							
Byte 1	Default	64 (Decimal)							

9.2.13 PWM 0x0CH

		PWM 0							
Access	Bit	7	6	5	4	3	2	1	0
R/W	Name	Mode			Duty Cycle				
Byte 0	Default	0x00H							

		PWM 7							
Access	Bit	7	6	5	4	3	2	1	0
R/W	Name	Mode			Duty Cycle				
Byte 7	Default	0x00H							

Bit 7-5: **MODE2:MODE0**: Selects PWM mode.

000 = PWM Off

001 / 010 / 011 = PWM Constant

100 = PWM CMP4:0 decremented and stops at 0%

101 = PWM CMP4:0 decremented and stops at value in PWM_LIM

110 = PWM CMP4:0 incremented and stops at 100%

111 = PWM CMP4:0 incremented and stops at value in PWM_LIM

Bit 4-0: **CMP4:CMP0**: LED Duty Cycle Value

9.2.14 PWM Limit 0x0DH

		PWM Lim							
Access	Bit	7	6	5	4	3	2	1	0
R/W	Name	PWM Limit							



Byte 0	Default	0x00H
---------------	----------------	-------

Bit 7-5: System Use

Bit 4-0: LIM4:LIM0: CMP 4:0 is compared against this value if MODE 2:0 is configured 101 or 111

		PWM Speed							
Access	Bit	7	6	5	4	3	2	1	0
R/W	Name					PWM Speed			
Byte 1	Default	0x00H							

Bit 7-4: System Use

Bit 3-0: SPD3:SPD0: PWM slope adjustment speed control

$$PWM\ Timing = SPD3:0 \times [CMP4:0 + 1] \times 8.192ms$$

Example:

SPD3:0 = 0100

CMP4:0 = 11111 (PWM Duty = 100%)

$$Ton = 4 \times [31 + 1] \times 8.192ms = 1.0486s$$

9.2.15 Active Channels 0x0EH

		Active Chan 0							
Access	Bit	7	6	5	4	3	2	1	0
R/W	Name	CH7	CH6	CH5	CH4	CH3	CH2	CH1	CH0
Byte 0	Default	0x0FH							

		Active Chan 1							
Access	Bit	7	6	5	4	3	2	1	0
R/W	Name							CH9	CH8
Byte 1	Default	0x00H							



9.2.16 Buzzer Output 0x0FH

		Buzzer 0							
Access	Bit	7	6	5	4	3	2	1	0
R/W	Name	Enable					DC	PERM	Burst
Byte 0	Default	0x00H							

This Byte sets up the Buzzer as shown below:

Bit 7: **Enable:** This bit enables or Disables the Buzzer output

0 = Disabled

1 = Enabled

Bit 6-3: **Not Used**

Bit 2: **DC:** Makes a DC output

0 = Low

1 = High

Bit 1: **Perm:** Permanently sounding the buzzer

0 = Disabled

1 = Enabled

Bit 0: **Burst:** Burst mode to make a “click” sound

0 = Disabled

1 = Enabled



10 IQS333 OTP Options

The **IQS333** only provide OTP (**O**ne-**T**ime **P**rogrammable) options for configuration of the device I²C sub-address and charge transfer methodology (Self/Projected sensing).

Configuration of the OTP settings can be done on packaged devices or in-circuit. In-circuit configuration may be limited by values of external components chosen.

Azoteq offers a Configuration Tool (CT210 or later) and associated software that can be used to program the OTP user options for prototyping purposes. For further information regarding this subject, please contact your local distributor or submit enquiries to Azoteq at: ProxSenseSupport@azoteq.com

10.1 User Selectable OTP options

Table 10.1 User Selectable OTP options : Bank3

bit7	Bank 3						bit0
System use	System use	System use	System use	Proj_Mode	I ² C SubAddr1	I ² C SubAddr0	System use

Bank3: bit7	System Use
Bank3: bit6	System Use
Bank3: bit5	System Use
Bank3: bit4	System Use
Bank3: bit 3	Proj_Mode : Projected Selection
	0 = Self (Default) 1 = Projected
Bank3: bit 2:1	I²C SubAddr1: I²C SubAddr0 : I²C Sub-Address selection
	00 = 0x64 (Default) 01 = 0x65 10 = 0x66 11 = 0x67
Bank3: bit 0	System Use



11 Specifications

11.1 Absolute Maximum Specifications

The following absolute maximum parameters are specified for the device:

Exceeding these maximum specifications may cause damage to the device.

- Operating temperature -20°C to 85°C
- Supply Voltage (VDDHI – VSS) 3.6V
- Maximum pin voltage VDDHI + 0.5V (may not exceed VDDHI max)
- Maximum continuous current (for specific Pins) 10mA
- Minimum pin voltage VSS - 0.5V
- Minimum power-on slope 100V/s
- ESD protection ±8kV (Human body model)

Table 11.1 IQS333 Self Capacitive General Operating Conditions¹

DESCRIPTION	Conditions	PARAMETER	MIN	TYP	MAX	UNIT
Supply voltage		V _{DDHI}	1.8	3.3V	3.6	V
Internal regulator output	1.8 ≤ V _{DDHI} ≤ 3.6	V _{REG}	1.62	1.7	1.79	V
Default Operating Current	3.3V	I _{IQS333NP}	-	360		μA
Low Power Setting 1*	3.3V, LP=1	16ms	-	58		μA
Low Power Setting 2*	3.3V, LP=2	32ms	-	31		μA
Low Power Setting 4*	3.3V, LP=4	64ms	-	17		μA
Low Power Setting 8*	3.3V, LP=8	128ms	-	11		μA
Low Power Setting 16*	3.3V, LP=16	256ms	-	8		μA
Low Power Setting 32*	3.3V, LP=32	512ms	-	<6		μA

*LP interval period = Low power value x 16ms

¹Operating current shown in this datasheet, does not include power dissipation through I²C pull up resistors.



Table 11.2 IQS333 Projected Capacitive General Operating Conditions

DESCRIPTION	Conditions	PARAMETER	MIN	TYP	MAX	UNIT
Supply voltage		V _{DDHI}	1.8	3.3V	3.6	V
Internal regulator output	1.8 ≤ V _{DDHI} ≤ 3.6	V _{REG}	1.62	1.7	1.79	V
Default Operating Current	3.3V	I _{IQS333}	-	530		μA
Low Power Setting 1*	3.3V, LP=1	16ms	-	81		μA
Low Power Setting 2*	3.3V, LP=2	32ms	-	42		μA
Low Power Setting 4*	3.3V, LP=4	64ms	-	23		μA
Low Power Setting 8*	3.3V, LP=8	128ms	-	14		μA
Low Power Setting 16*	3.3V, LP=16	256ms	-	8		μA
Low Power Setting 32*	3.3V, LP=32	512ms	-	<6		μA

*LP interval period = Low power value x 16ms

Table 11.3 Start-up and shut-down slope Characteristics

DESCRIPTION	Conditions	PARAMETER	MIN	MAX	UNIT
Power On Reset	V _{DDHI} Slope ≥ 100V/s @25°C	POR		1.6	V
Brown Out Detect	V _{DDHI} Slope ≥ 100V/s @25°C	BOD	1		V



11.2 Moisture Sensitivity Level

Moisture Sensitivity Level (MSL) relates to the packaging and handling precautions for some semiconductors. The MSL is an electronic standard for the time period in which a moisture sensitive device is allowed to be exposed to ambient room conditions (approximately 30°C/60%RH) before reflow must occur.

Table 11.4 MSL

Package	Level (duration)
QFN5x5-32	MSL 3 (168 hours)
QFR5x5-32	MSL 3 (168 hours)

11.3 Recommended storage environment

This storage environment assumes that the IC's are packed properly inside a humidity barrier bag:

Parameter	Description	Min	Typ	Max	Unit	Notes
T _{STG}	Storage Temperature	-55	25	150	°C	Recommended storage temperature is 25 °C ± 25 °C. Extended duration storage at temperatures above 85 °C degrades reliability as well as reduces data retention performance
T _j	Junction Temperature			150		

11.3.1 Supplementary notes according to Jedec recommendations

- Optimal Storage Temperature Range: 5 °C to 30 °C
- Humidity: between 40 to 70% RH
- Air should be clean
- Avoid harmful gasses and dust
- Avoid outdoor exposure or storage in areas subject to rain or water spraying
- Avoid storage in areas subject to corrosive gas or dust. Products shall not be stored in areas exposed to direct sunlight
- Avoid rapid changes of temperature
- Avoid condensation
- Mechanical stress such as vibration and impact shall be avoided
- The products shall not be placed directly on the floor
- The products shall be stored on a plane area. They should not be turned upside down. They should not be placed against the wall



Table 11.5 Initial Touch Times (First Touch)

DESCRIPTION	PARAMETER	MAX	Unit
TURBO MODE ¹	Response time	70	ms

Table 11.6 Repetitive Touch Rates

DESCRIPTION	Conditions	PARAMETER	Rate	UNIT
All power modes	Zoom active	Response Rate ²	>8	Touches/second

The SCAN PERIOD of the **IQS333** is increased by:

- Faster communication.
- Less data transfer.
- Using the fast charge selection (Turbo Mode) of the **IQS333**.
- Reduced process time by disabling ACF, wheel filter, wheel position and ATI.

¹Communication and charge frequency to comply with sample rate as reported earlier in this datasheet.

²Debounce of 2 up and 2 down, 9 active channels in Event Mode

12 Package information

12.1 IQS333 Package dimensions

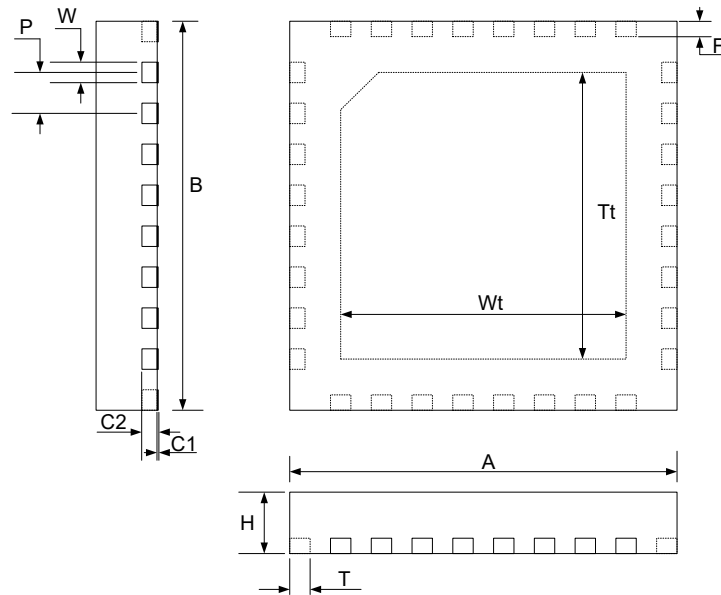


Figure 12.1 IQS333 Package. Drawings not too scale - illustration only.

Table 12.1 Packaging Dimensions.

DESCRIPTION	QNR		QFR		Unit
	MIN	MAX			
A	4.90	5.10	4.90	5.10	mm
B	4.90	5.10	4.90	5.10	mm
C1	0	0.05	0	0.05	mm
C2	0.203TYP		0.203TYP		mm
F	0.600TYP		0.3	0.4	mm
H	0.85	0.95	0.85	0.95	mm
P	0.5TYP		0.5TYP		mm
T	0.3	0.5	0.3	0.5	mm
T _t	3.3 TYP		3.55	3.75	mm
W	0.25TYP		0.25TYP		mm
W _t	3.3 TYP		3.55	3.75	mm



12.1.2 QFR package differences to QNR package

The overall physical size of the part ($l \times w \times h$) and pitch of the pins did not change.

The mechanical dimensions of the saddle (T_t & W_t) and length of the pins (F) have changed from the old part (IQS333-0-QNR) to the new part (IQS333-0-QFR). The new dimensions are given below:

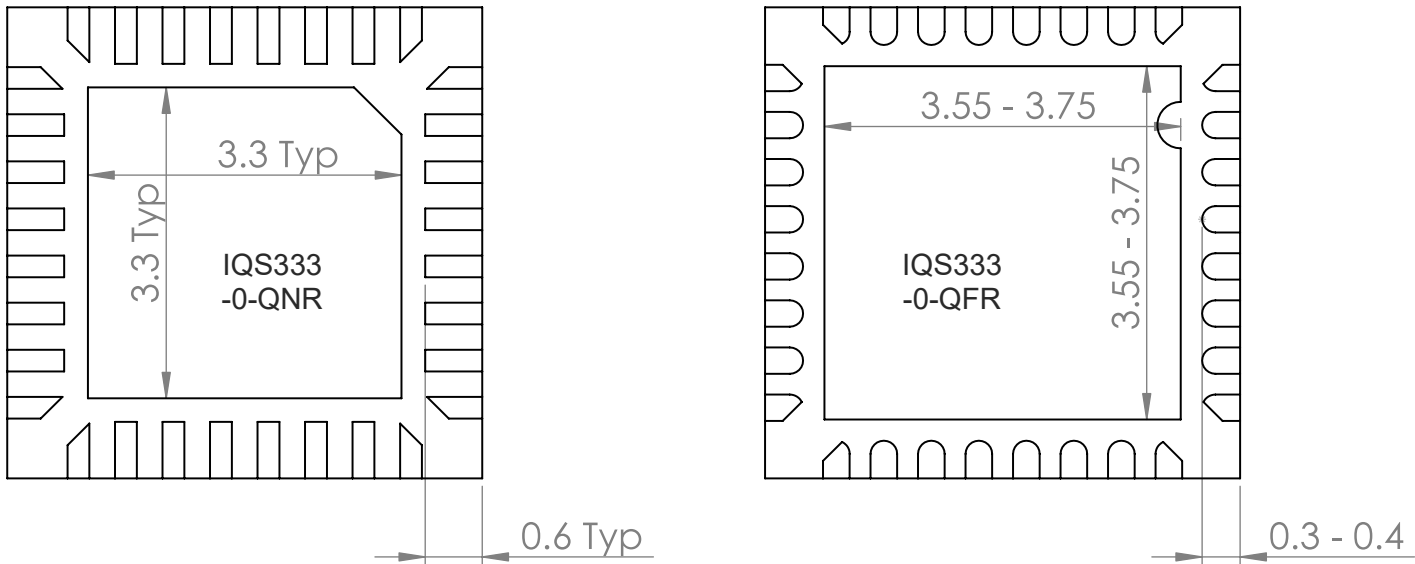


Figure 12.2 Changes in Package Dimensions. Only affected dimensions are shown. Drawing for illustration only, not too scale.

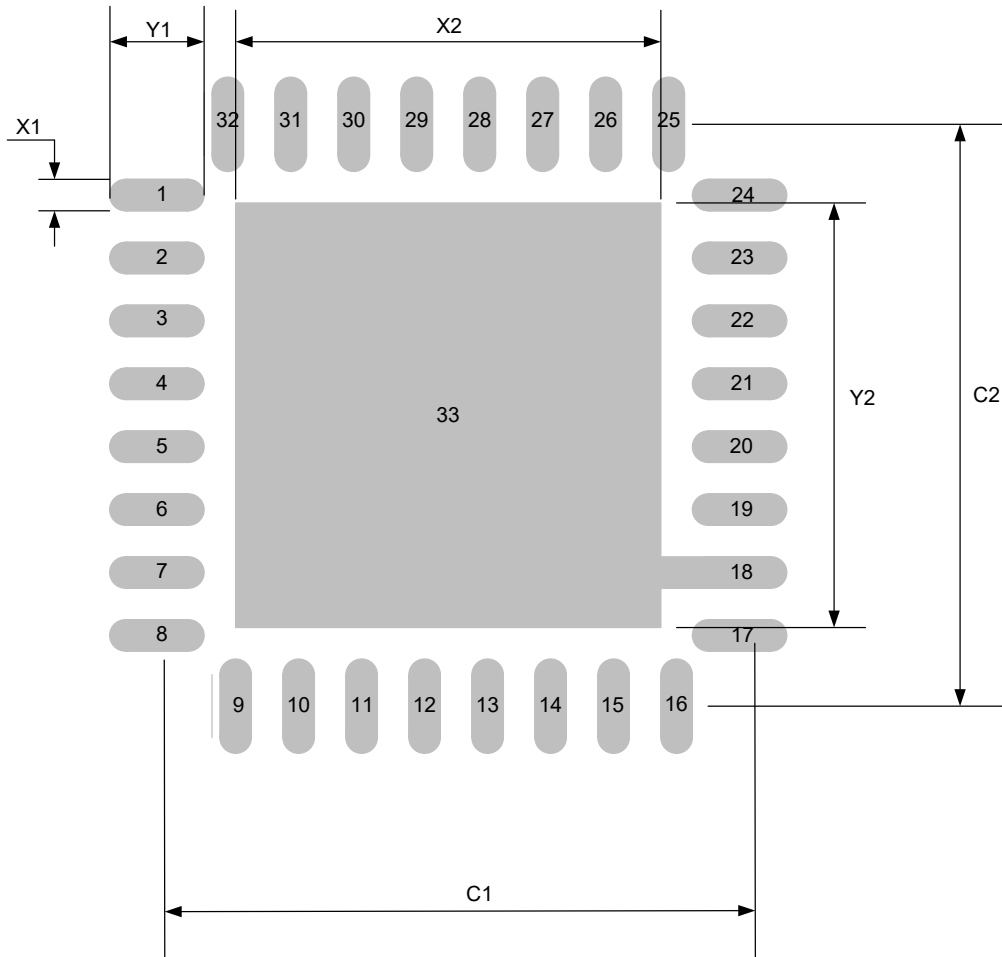


Figure 12.3 IQS333 Recommended Footprint. Illustration is not too scale.

Table 12.2 IQS333 Footprint Recommended Dimensions.

DESCRIPTION	QFN	QFR	Unit
	Dimension	Dimension	
C1	4.90	4.85	mm
C2	4.90	4.85	mm
X1	0.30	0.25	mm
X2	3.25	3.65	mm
Y1	0.90	0.8	mm
Y2	3.25	3.65	mm

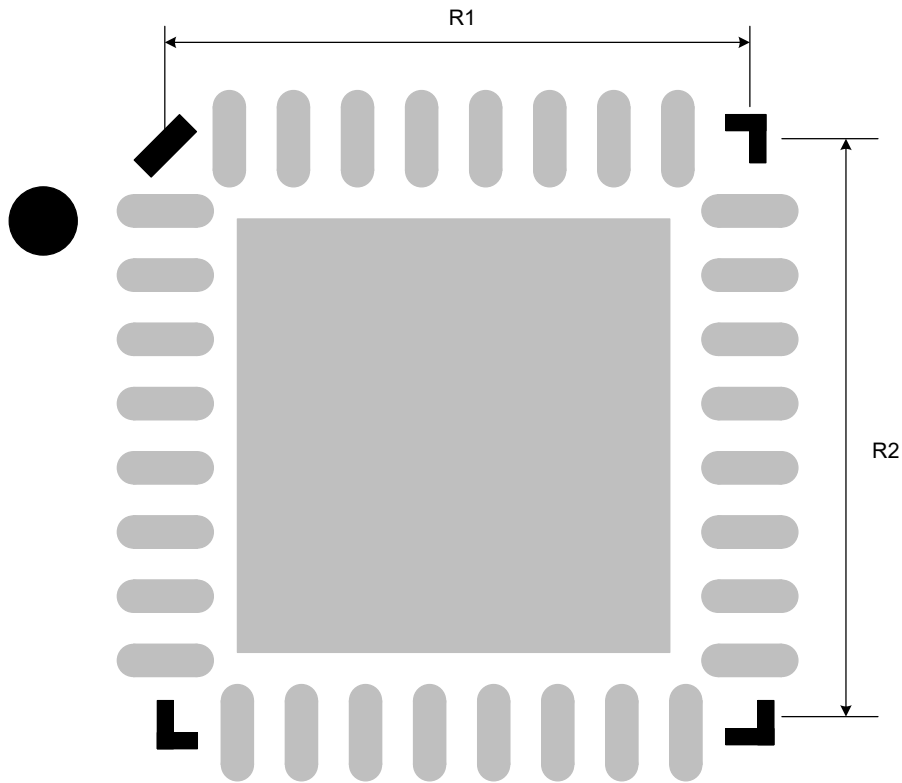


Figure 12.4 Silk Screen – optional.

Table 12.3 Silk Screen Dimensions.

DESCRIPTION	Dimension	Unit
R1	5.00	mm
R2	5.00	mm



12.2 Tape and Reel Information

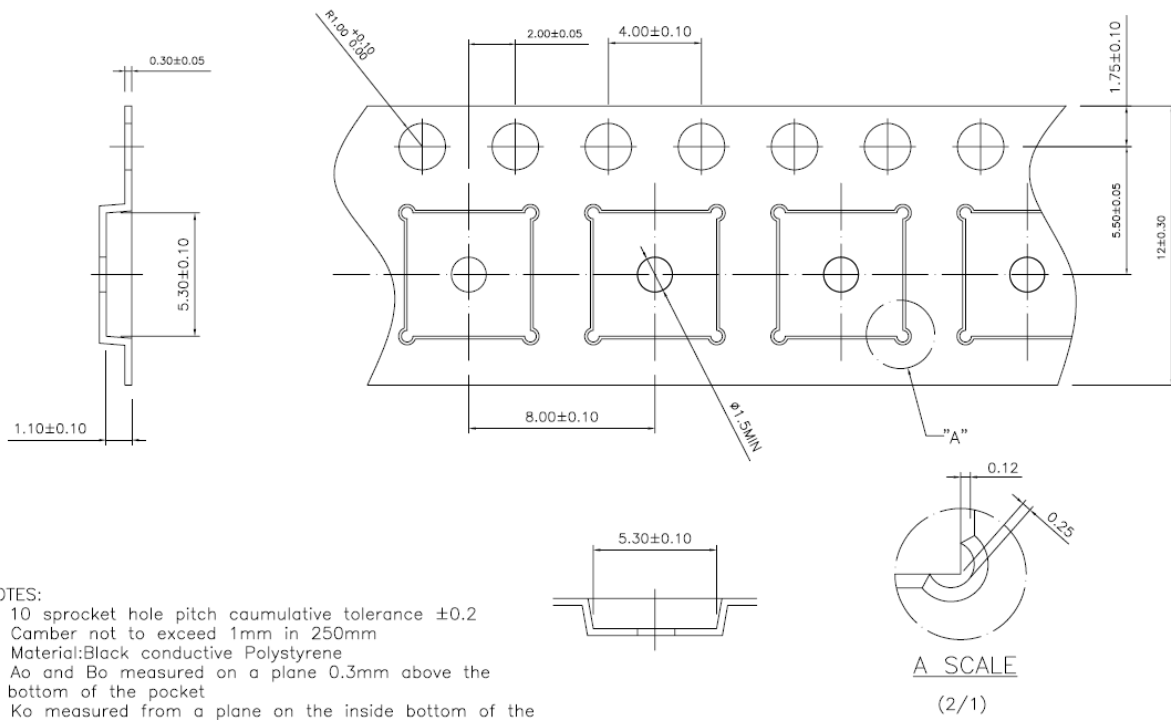
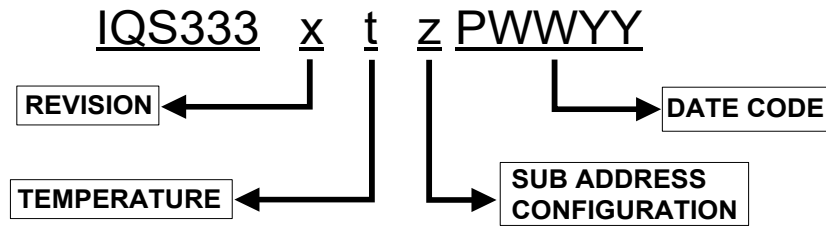


Figure 12.5 12mm Carrier Tape. Pin 1 – Left Bottom.



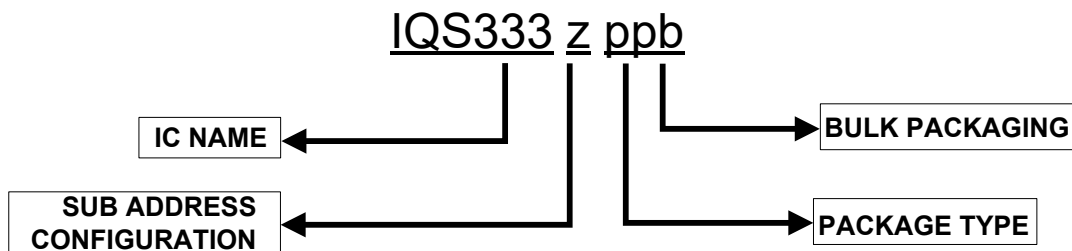
13 Device Marking



REVISION	x	=	IC Revision Number
TEMPERATURE RANGE	t	=	I -20°C to 85°C (Industrial) C 0°C to 70°C (Commercial)
IC CONFIGURATION	z	=	Sub Address Configuration (Hexadecimal) 0 = 64H 1 = 65H 2 = 66H 3 = 67H
DATE CODE	P	=	Package House
	WW	=	Week
	YY	=	Year

14 Ordering Information

Order quantities will be subject to multiples of a full reel. Contact the official distributor for sample quantities. A list of the distributors can be found under the “Distributors” section of www.azoteq.com.



IC NAME	IQS333	=	IQS333
	0	=	64H
	1	=	65H
	2	=	66H
	3	=	67H
PACKAGE TYPE	QN	=	QFN(5x5)-32
	QF	=	QFR(5x5)-32
BULK PACKAGING	R	=	Reel (3000pcs/reel)



15 Errata

15.1 Last Active Channels

The IQS333 only accepts settings for active channels. Therefore, to update any settings for channels that are not enabled by default (only channels 0 to 3 are active by default), these channels need to be activated first (followed by a STOP command), before settings can be written to the IQS333 in the next communication window. Channels are only activated on the IC after exiting the communication window. Settings here include everything specific to an individual channel, such as base values and touch thresholds.

16 Datasheet Revision History

Table 16.1 Document Revisions

Revision	Description	Date
1.00	Preliminary Release	January 2013
1.01	Update default register values	April 2013
1.02	Add QFN32 information	June 2013
1.03	Include more layout examples	September 2013
1.04	Update Tape and Reel specifications	August 2014
1.05	Remove QFN20 information, add QFR 32 information	November 2014
1.06	Add Storage Temperature Specifications	December 2014
1.07	Update Contact and Patent information	March 2015
1.08	Updated Electrical Specifications	October 2015
1.09	Additional Low Power current figures added	January 2016
1.10	Update Contact and Patent information	September 2016
1.11	Update Temperature Rating	September 2017
1.12	Update Contact and Patent information	February 2018
1.13	Update Reference schematic for Halt Charge	May 2018




Appendix A. Contact Information

	USA	Asia	South Africa
Physical Address	6507 Jester Blvd Bldg 5, suite 510G Austin TX 78750 USA	Rm1227, Glittery City Shennan Rd Futian District Shenzhen, 518033 China	109 Main Street Paarl 7646 South Africa
Postal Address	6507 Jester Blvd Bldg 5, suite 510G Austin TX 78750 USA	Rm1227, Glittery City Shennan Rd Futian District Shenzhen, 518033 China	PO Box 3534 Paarl 7620 South Africa
Tel	+1 512 538 1995	+86 755 8303 5294 ext 808	+27 21 863 0033
Fax	+1 512 672 8442		+27 21 863 1512
Email	info@azoteq.com	info@azoteq.com	info@azoteq.com

Please visit www.azoteq.com for a list of distributors and worldwide representation.

The following patents relate to the device or usage of the device: US 6,249,089; US 6,952,084; US 6,984,900; US 8,395,395; US 8,531,120; US 8,659,306; US 9,209,803; US 9,360,510; US 9,496,793; US 9,709,614; US 9,948,297; EP 2,351,220; EP 2,559,164; EP 2,748,927; EP 2,846,465; HK 1,157,080; SA 2001/2151; SA 2006/05363; SA 2014/01541; SA 2017/02224;

AirButton®, Azoteq®, Crystal Driver®, IQ Switch®, ProxSense®, ProxFusion®, LightSense™, SwipeSwitch™, and the  logo are trademarks of Azoteq.

The information in this Datasheet is believed to be accurate at the time of publication. Azoteq uses reasonable effort to maintain the information up-to-date and accurate, but does not warrant the accuracy, completeness or reliability of the information contained herein. All content and information are provided on an "as is" basis only, without any representations or warranties, express or implied, of any kind, including representations about the suitability of these products or information for any purpose. Azoteq disclaims all warranties and conditions with regard to these products and information, including but not limited to all implied warranties and conditions of merchantability, fitness for a particular purpose, title and non-infringement of any third party intellectual property rights. Azoteq assumes no liability for any damages or injury arising from any use of the information or the product or caused by, without limitation, failure of performance, error, omission, interruption, defect, delay in operation or transmission, even if Azoteq has been advised of the possibility of such damages. The applications mentioned herein are used solely for the purpose of illustration and Azoteq makes no warranty or representation that such applications will be suitable without further modification, nor recommends the use of its products for application that may present a risk to human life due to malfunction or otherwise. Azoteq products are not authorized for use as critical components in life support devices or systems. No licenses to patents are granted, implicitly, express or implied, by estoppel or otherwise, under any intellectual property rights. In the event that any of the abovementioned limitations or exclusions does not apply, it is agreed that Azoteq's total liability for all losses, damages and causes of action (in contract, tort (including without limitation, negligence) or otherwise) will not exceed the amount already paid by the customer for the products. Azoteq reserves the right to alter its products, to make corrections, deletions, modifications, enhancements, improvements and other changes to the content and information, its products, programs and services at any time or to move or discontinue any contents, products, programs or services without prior notification. For the most up-to-date information and binding Terms and Conditions please refer to www.azoteq.com.

www.azoteq.com/ip

info@azoteq.com