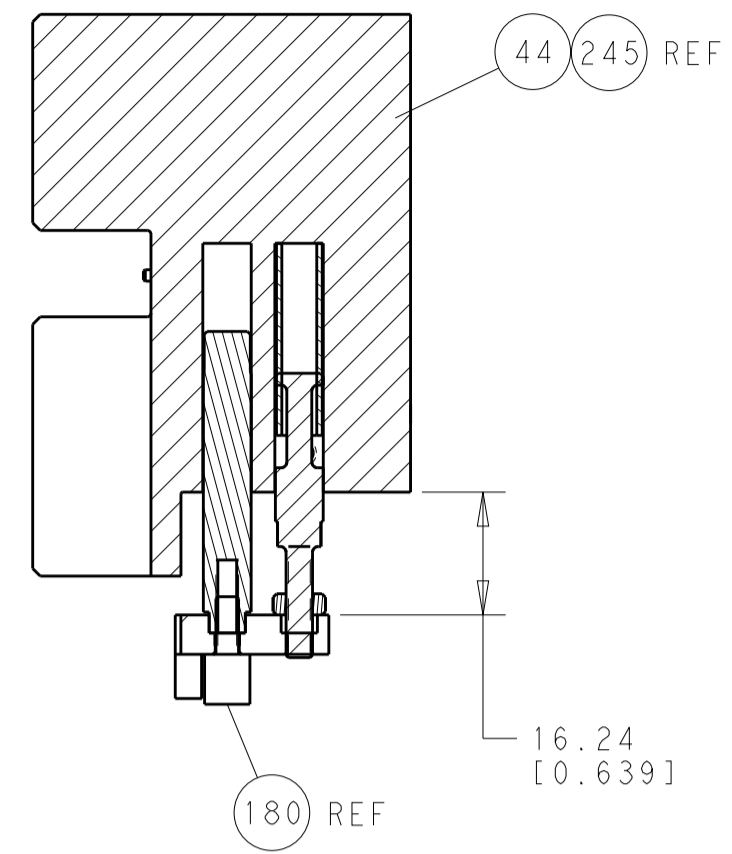


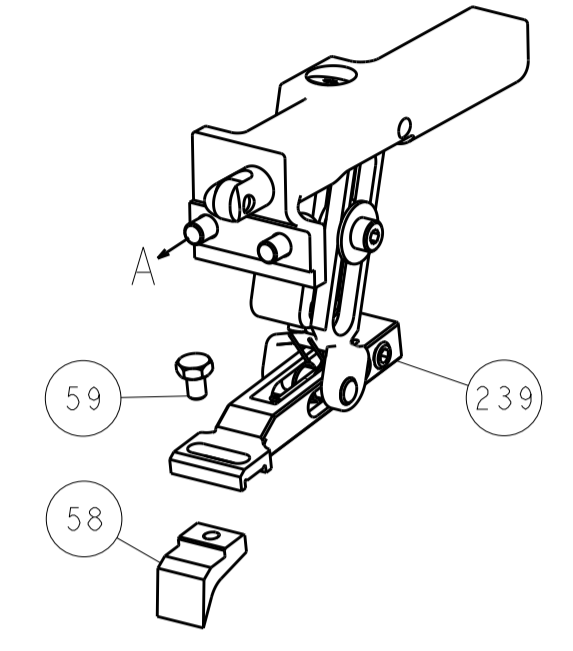


LOC		DIST		REVISIONS			
A	66	P	LTM	DESCRIPTION	DATE	OWN	APVD
		-	-	SEE SHEET 1	-	-	-

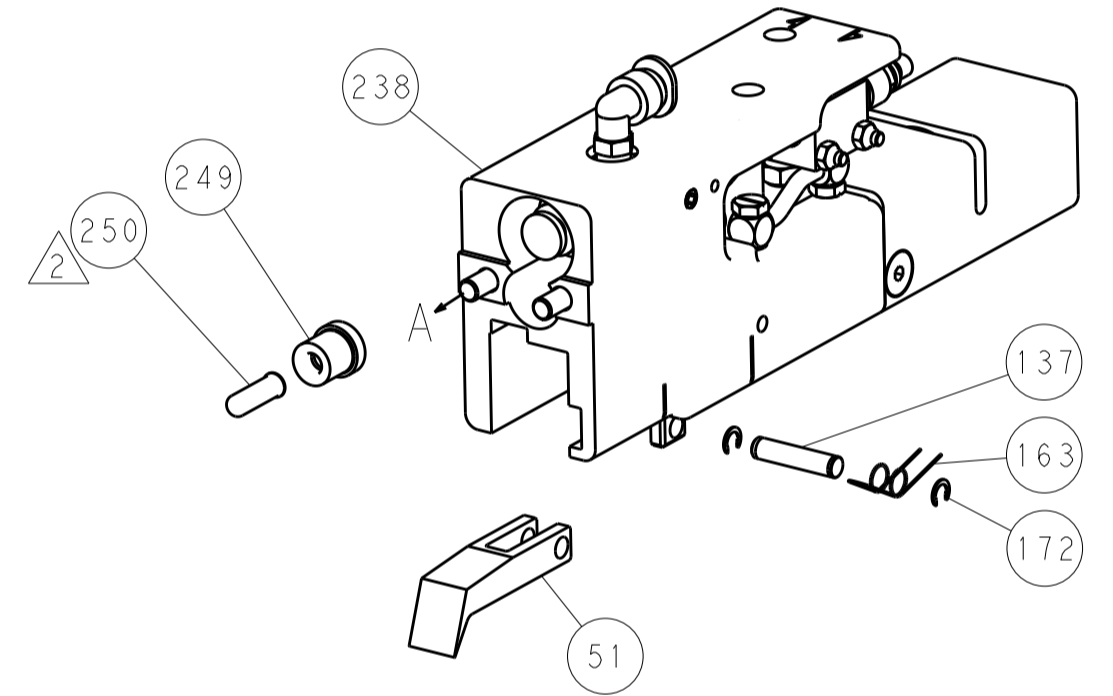


HOLDDOWN SET-UP

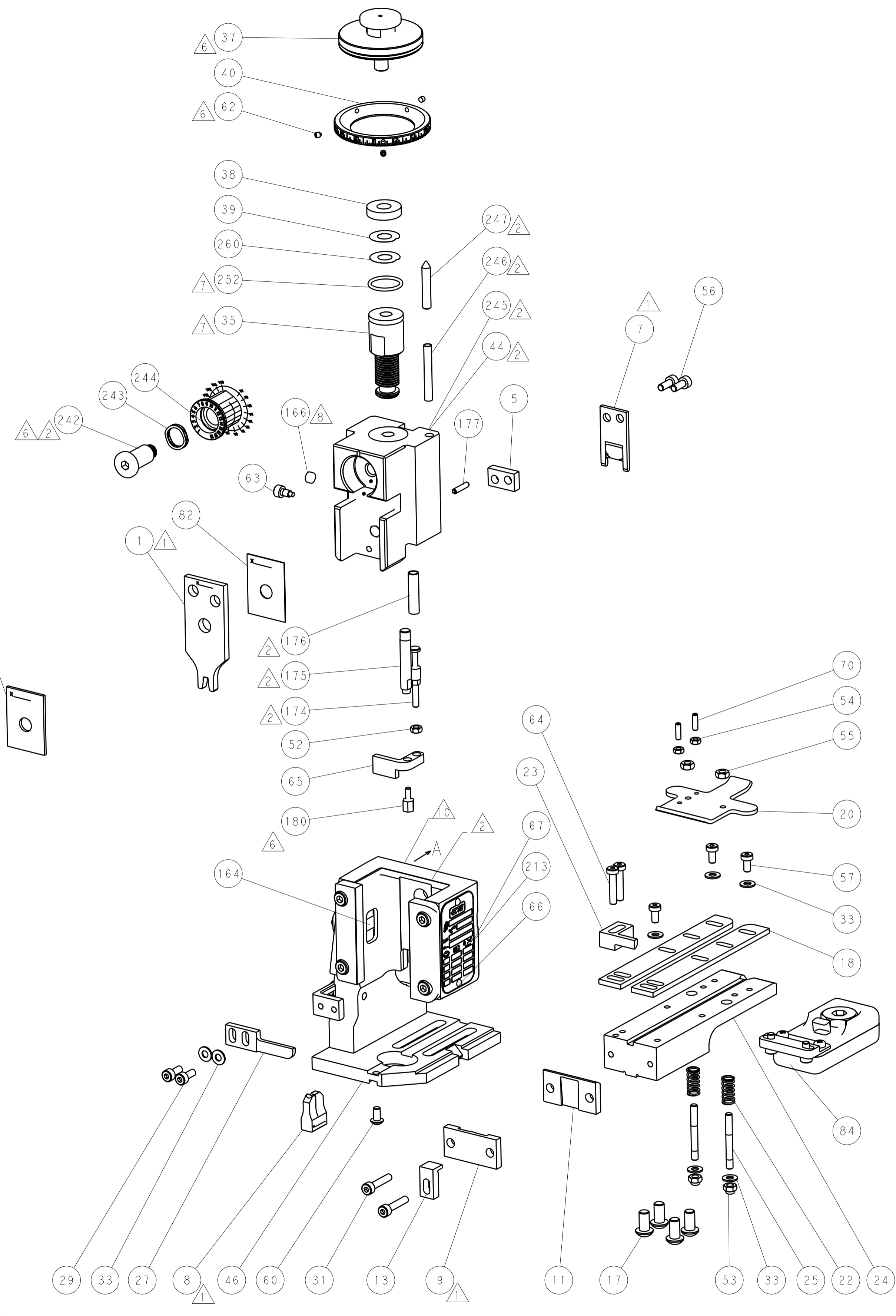
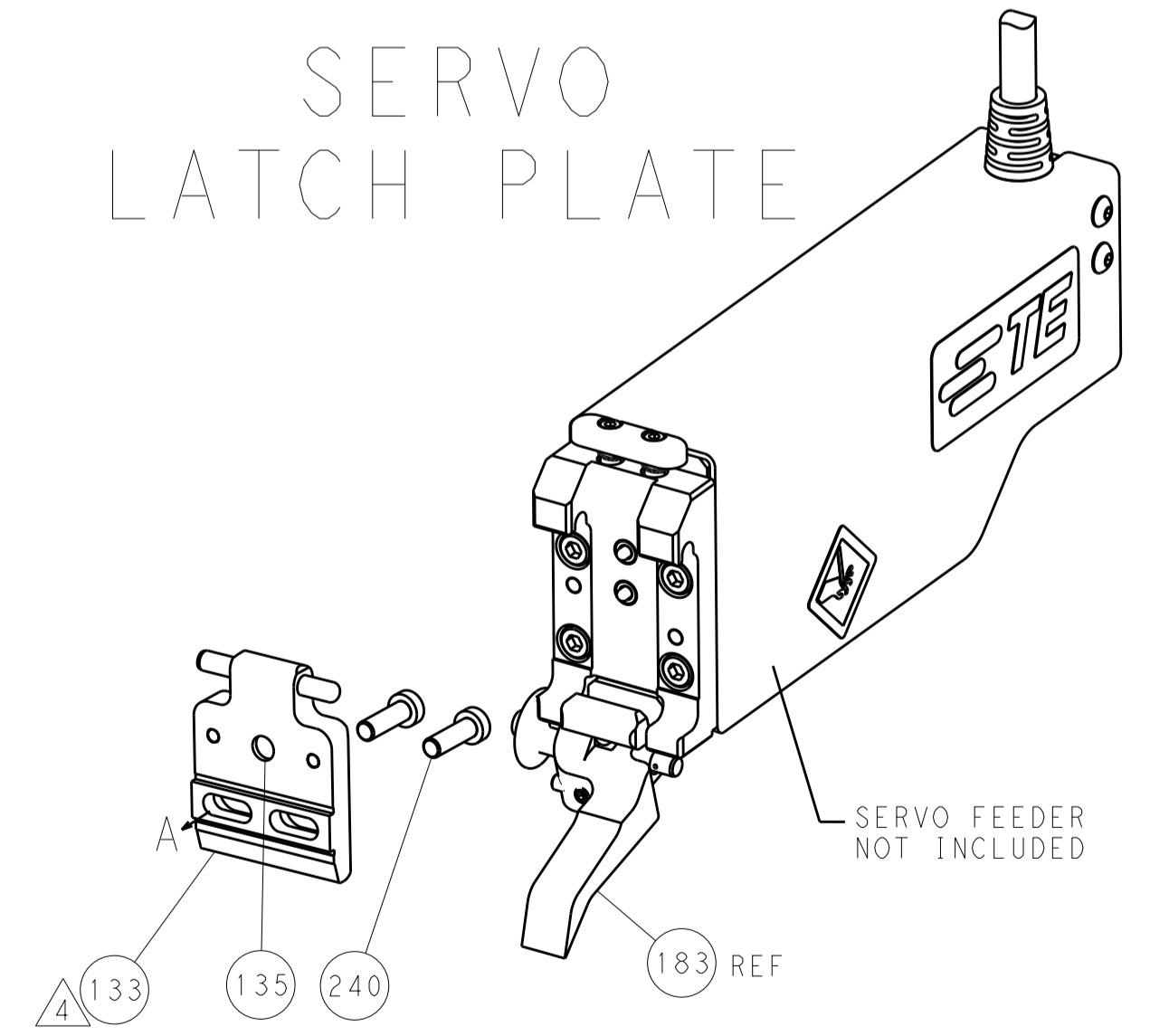
FEED TYPE  
MECHANICAL



PNEUMATIC



SERVO  
LATCH PLATE



CAM POSITIONS



**ATLANTIC VERSION**  
 Shown on sheets 1 of 4 & 2 of 4  
 (Pacific version shown on sheets 3 of 4 & 4 of 4)

DIMENSIONS:		TOLERANCES UNLESS OTHERWISE SPECIFIED:		DWN J.HOU 11JUNE2014		TE Connectivity	
mm	0 PLC ±0.5	1 PLC ±0.5	2 PLC ±0.13	3 PLC ±0.013	4 PLC ±0.001	APVD H.GUO 11JUNE2014	Harrisburg, PA 17105-3608
MATERIAL:		FINISH:		PRODUCT SPEC		NAME	
				APPLICATION SPEC		Ocean End Feed Applicator	
				WEIGHT		SIZE CAGE CODE DRAWING NO	
				Customer Accessible Production Drawing		A11 00779 ©=2150443	
				SCALE 1:1		SHEET 2 OF 4 REV B	

PACIFIC VERSION TERMINATOR INTERFACE ADAPTER	PART NUMBER	REVISION	DESCRIPTION	FEED TYPE	APPLICATOR STYLE CONVERSION CHART						
					CONVERT TO	PART NUMBERS REQUIRED					
	2-2150443-1	B	FINE CRIMP HEIGHT ADJUST	MECHANICAL	PNEUMATIC FEED	2119950-1	2119792-2	-	2119641-2	-	2063440-1
					SERVO LATCH PLATE	2119951-1	1901697-1	8-2150443-5	-	-	2168400-7 (QUANTITY 2)
					SMART APPLICATOR	2161326-1	-	8-2150443-4	-	-	-
	2-2150443-2	B	FINE CRIMP HEIGHT ADJUST	PNEUMATIC	MECHANICAL FEED	2119949-1	2063961-1	5-18022-5	2119653-2	-	-
					SERVO LATCH PLATE	2119951-1	1901697-1	8-2150443-5	-	-	2168400-7 (QUANTITY 2)
					SMART APPLICATOR	2161326-1	-	8-2150443-4	-	-	-
	2-2150443-5	B	FINE CRIMP HEIGHT ADJUST	SERVO LATCH PLATE	MECHANICAL FEED	2119949-1	2063961-1	5-18022-5	2119653-2	-	-
					PNEUMATIC FEED	2119950-1	2119792-2	-	2119641-2	-	2063440-1
	2-2150443-7	B	FINE CRIMP HEIGHT ADJUST	NONE	-	-	-	-	-	-	-
	7-2150443-7	A	CRIMP TOOLING KIT	-	-	-	-	-	-	-	-

APPLICATOR DATA		
CRIMP SIZE	TYPE	
WIRE 3.30 mm [.130]	F	
INSUL 4.57 mm [.180]	OV	
APPL INSTRUCTIONS 408-10390		

TERMINAL DATA: TE TERMINAL		TE CRIMP SPECIFICATION	
TERMINAL NAME: .250 SRS FAST-IN-ON RECEPTACLE			
WIRE STRIP LENGTH 5.55-6.31 mm [.218-.248 IN]		INSULATION DIAMETER RANGE 3.30-4.50 mm [.130-.177 IN]	
TERMINAL APPLICATION SPECIFICATION	114-2025	-	-
TERMINALS APPLIED			
TE TERMINAL	TE TERMINAL	TE TERMINAL	TE TERMINAL
160913-1	160913-2	160913-3	160913-4

WIRE SIZE	CRIMP HEIGHT mm [INCH]	CRIMP HEIGHT REFERENCE SETTING
4.00mm2	2.38 +/- 0.05 [.094 +/- .002]	6.3
3.50mm2	2.27 +/- 0.05 [.089 +/- .002]	7.8
3.00mm2	2.16 +/- 0.05 [.085 +/- .002]	8.5

- RECOMMENDED SPARE PARTS
- GREASE BEARING SURFACES LIGHTLY
- LUBRICATE DAILY PER THE APPLICATOR INSTRUCTION SHEET SUPPLIED WITH THE APPLICATOR.
- APPLICATOR SPECIFIC DATA TO BE ENTERED INTO BLANK MEMORY CHIP AT ASSEMBLY. SEE BELOW FOR PART NUMBER:  
 MECHANICAL FEED WITH "SMART APPLICATOR" CONVERSION: 8-2150443-4  
 PNEUMATIC FEED WITH "SMART APPLICATOR" CONVERSION: 8-2150443-4  
 SERVO FEED WITH "FINE CRIMP HEIGHT ADJUST": 8-2150443-5
- ADJUSTMENT OF THE STRIPPER MAY BE REQUIRED WHEN MOVING THE APPLICATOR BETWEEN BENCH AND LEADMAKER APPLICATIONS.
- APPLY PART NUMBER 1-23419-5 LOCTITE TO THREADS OF ITEMS 62 & 180. APPLY PART NUMBER 2-23419-6 LOCTITE TO THREADS OF ITEMS 242.
- GREASE THREADS, GROOVE AND O-RING ON ITEMS 139 & 153.
- MAGNET, ITEM 166 MUST BE ORIENTED CORRECTLY IN ORDER TO PROPERLY ACTUATE THE COUNTER.
- CRIMP HEIGHT REFERENCE SETTING WAS THE SETTING USED WHEN THE APPLICATOR WAS QUALIFIED AT THE FACTORY. ADJUSTMENT MAY BE NECESSARY WHEN RUNNING APPLICATOR IN THE FIELD.
- SPARE FEED CAM STORAGE LOCATION REFER TO INSTRUCTION SHEET FOR ADDITIONAL INFORMATION.
- THE RECOMMENDED SET-UP FOR END FEED APPLICATORS IS POST-FEED WITH ITEM 2119653-1. THE APPLICATOR CAN BE CONFIGURED FOR PRE-FEED WITH ITEM 2119652-1 BUT MAY ENCOUNTER PROBLEMS WITH SOME APPLICATIONS. FEED ISSUES OR TERMINAL JAMMING MAY OCCUR IN THE PRE-FEED CONFIGURATION.
- FIGURES 2 OR 4 INC. ARE ONLY APPLICABLE FOR THIS APPLICATION.
- THE APPLICATOR WAS DESIGNED FOR THE APPLICATION OF FLY WIRE.

**\*WARNING**  
 ON INSTALLATION, SET WIRE DISC, ITEM 40 TO LARGEST WIRE SIZE SETTING. USE OF SETTINGS BELOW MINIMUM REQUIRED CRIMP HEIGHT SETTING WILL CAUSE DAMAGE TO CRIMP TOOLING.

ITEM NO	DESCRIPTION	ITEM NO
- 1 1 1 1	2119782-1 FINE ADJUST HEAD ASM, PACIFIC STYLE	251
- - - 1 -	2119640-1 PUSH ROD, AIR FEED	250
- - - 1 -	2079988-1 BUSHING, LCH5-12, MISUMI	249
- 1 1 1 1	1-22279-3 SPRING, COMPRESSION	246
- 1 1 1 1	2119082-7 CAM, SNAIL, INSULATION ADJUSTMENT	244
- 1 1 1 1	2079764-1 WASHER, WAVE SPRING, CREST-TO-CREST	243
- 1 1 1 1	2119083-1 RETAINER, INSULATION DIAL	242
-77-27-25-22-21	PART NO DESCRIPTION	ITEM NO

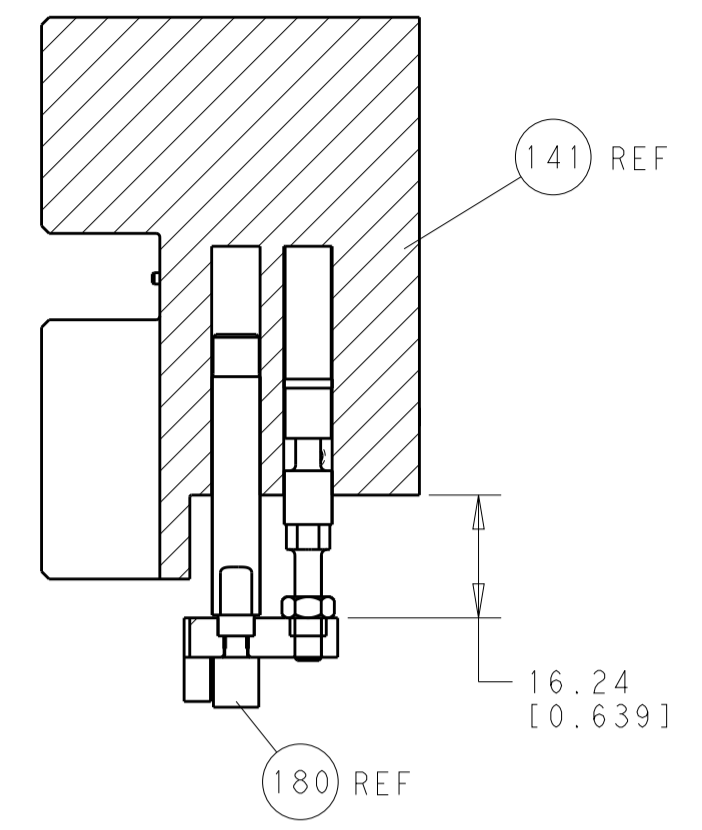
**PACIFIC VERSION**  
 Shown on sheets 3 of 4 & 4 of 4  
 (Atlantic version shown on sheets 1 of 4 & 2 of 4)

SET UP GAUGE	LOC	DIST	REVISIONS			
2119599-2	A	66	REV	DATE	BY	APPV
-	-	-	SEE SHEET 1	-	-	-

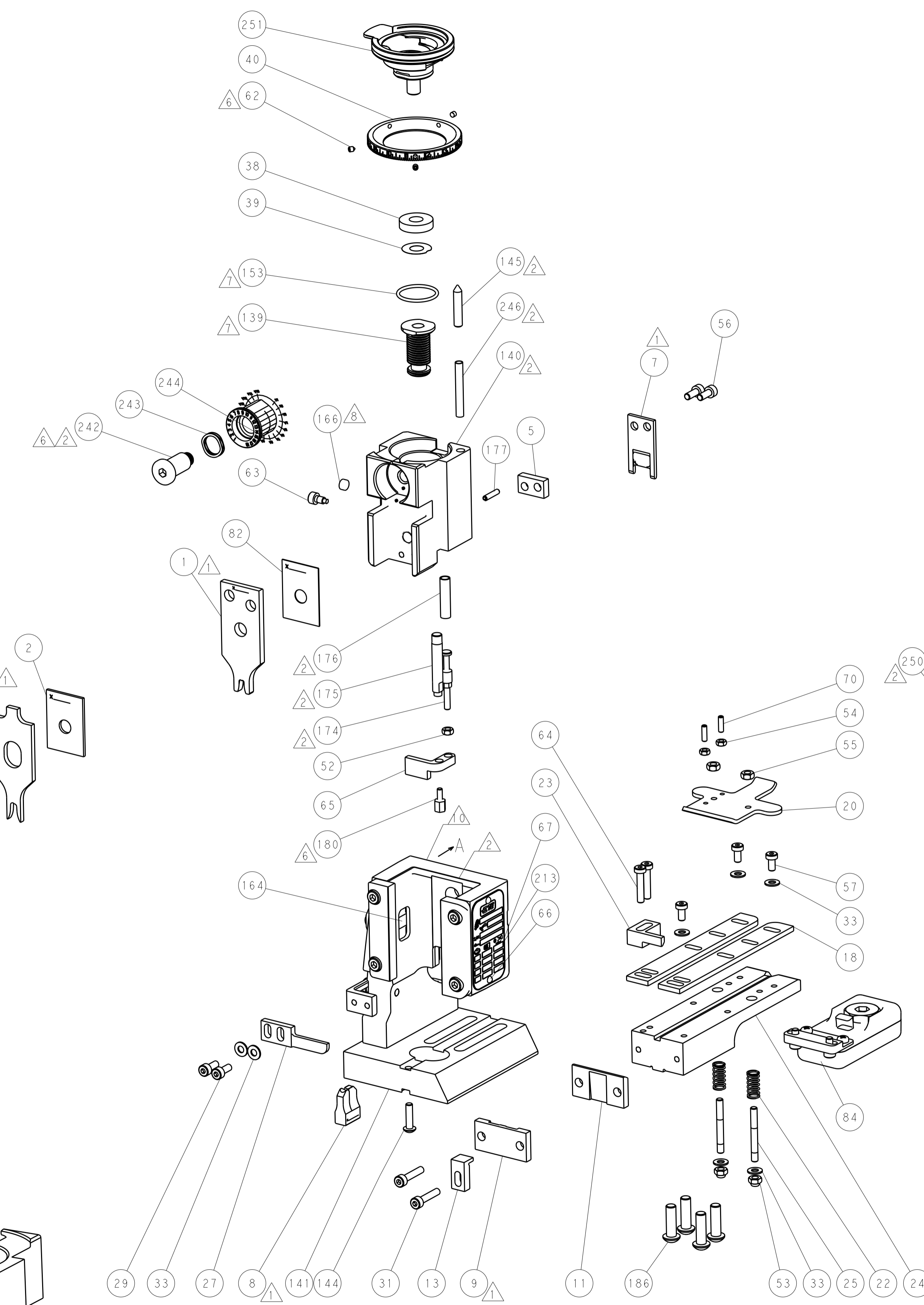
- - 2 - -	2168400-7	SHCS, LOW HEAD, RoHS, M5 X 10	240
- - - - 1	2119580-1	MECHANICAL FEED ASSEMBLY	239
- - - 1 -	2063440-1	AIR FEED MODULE	238
- - 1 - -	2119740-2	TAG, IDENTIFICATION	213
- 4 4 4 4	2079383-9	SCR, BHSC, RoHS (M6 X 20)	186
- - REF - -	1901697-1	FEED FINGER ASSEMBLY, EF	183
- 1 1 1 1	1-1752354-1	STANDOFF, HOLD-DOWN	180
- 1 1 1 1	6-993111-6	PIN, SLOTTED SPRING 3.0 X 14.0	177
- 1 1 1 1	8-22280-7	SPRING, COMPRESSION	176
- 1 1 1 1	1752353-2	GUIDE PIN, HOLDDOWN	175
- 1 1 1 1	1901680-2	GUIDE PIN, HOLDDOWN	174
- - - 2 -	21045-3	RING, RETAIN, EXTERN, 3/16 CRESCENT	172
- 1 1 1 1	994969-1	MAGNET, RARE EARTH HIGH ENERGY	166
- REFREFREFREF	994970-2	COUNTER, MAGNETIC	164
- - - 1 -	240638-1	SPRING, FEED FINGER	163
- 1 1 1 1	8-21084-1	O-RING, .801 ID, .070 DIA. MAT.	153
- - - 1 -	2119641-2	FEED CAM, AIR FEED	152
- 1 1 1 1	2119798-2	DETENT PIN	145
- 1 1 1 1	2079383-8	SCR, BHSC, RoHS (M4 X 16)	144
- - - - 1	2119653-2	FEED CAM, POST FEED	142
- 1 1 1 1	2119655-6	APPLICATOR BASIC ASSEMBLY, EF	141
- 1 1 1 1	2119651-1	RAM, ASIAN STYLE, END FEED	140
- 1 1 1 1	2119092-2	BOLT, ADJUSTMENT	139
- - - 1 -	3-23627-7	PIN, RETAIN, GRVD, 3/16 X .854	137
- - REF - -	SEE NOTE 4	MEMORY CHIP, PROGRAMMED	135
- - 1 - -	1633743-1	SERVO FEED LATCH ASM	133
- 1 1 1 1	2119955-2	ASSY, LUBRICATOR, END FEED	84
- 1 1 1 1	455888-4	SPACER, CRIMPER	82
- 1 1 1 1	2119956-2	DOCUMENTATION PACKAGE	71
- 2 2 2 2	2-18032-2	SCR, SET, FLT POINT M3 X 10.0	70
- 1 - 1 1	2119740-1	TAG, IDENTIFICATION	67
- 2 2 2 2	2168078-1	SCREW, DRIVE, RH, RoHS, 2 x .188	66
- 1 1 1 1	1901681-5	HOLDDOWN, TERMINAL	65
- 2 2 2 2	2168400-5	SHCS, LOW HEAD, RoHS, M4 X 20	64
- 1 1 1 1	2119793-1	LIMITER, ADJUSTMENT BOLT	63
- 3 3 3 3	992763-5	SCR, SET, SOC, CONE POINT, M3 X 4.0	62
- - - - 1	5-18022-5	SCR, HEX HD CAP, M4 X 6.0	59
- - - - 1	2063961-1	FEED FINGER	58
- 3 3 3 3	2168400-4	SHCS, LOW HEAD, RoHS, M4 X 8	57
- 2 2 2 2	1-2168083-0	SCR, SKT HD CAP, RoHS, M4 X 10	56
- 2 2 2 2	5018030-2	NUT, HEX, REG, RoHS, M4	55
- 2 2 2 2	5018030-1	NUT, HEX, REG, RoHS, M3	54
- 2 2 2 2	986965-8	NUT, LOCK, HEX, TORQUE (M4)	53
- 1 1 1 1	1-5018030-0	NUT, HEX, REG, RoHS, M3.5	52
- - - 1 -	2119792-2	PAWL, EF, AIR	51
- - - 1 2	18023-9	SCR, SKT HD CAP M4 X 6.0	49
- - - - 1	2119652-1	FEED CAM, PRE FEED	48
- 1 1 1 1	2079383-7	SCR, BHSC, RoHS (M8 X 25)	41
- 1 1 1 1	2119645-1	DISC, NUMBERED FA WIRE ADJUSTMENT	40
- 1 1 1 1	2119957-1	APPLICATOR SHIM PACK	39
- 1 1 1 1	1-2119644-3	RAM WASHER, PRECISION	38
- 7 7 7 7	1-18028-2	WASHER, FLAT, REG M4	33
- 2 2 2 2	2168083-9	SCR, SKT HD CAP, RoHS, M4 X 20	31
- 2 2 2 2	1-2168083-0	SCR, SKT HD CAP, RoHS, M4 X 10	29
- 1 1 1 1	240639-1	STRIPPER (MACHINING)	27
- 2 2 2 2	1320906-1	STUD, THREADED	25
- 1 1 1 1	1752371-6	PLATE, STRIP GUIDE	24
- 1 1 1 1	240825-3	PLATE, STRIP HOLD DOWN	23
- 2 2 2 2	2-22281-3	SPRING, COMPRESSION	22
- 1 1 1 1	1752373-4	DRAG	20
- 2 2 2 2	1901259-6	GUIDE, LOWER STRIP	18
- 1 1 1 1	1752360-1	SPACER, HOLD-DOWN	13
- 1 1 1 1	240833-4	PLATE, REAR SHEAR	11
- - - - -	-	-	10
- 1 1 1 1	1-690482-0	PLATE, FRONT SHEAR	9
1 1 1 1 1	1333221-3	ANVIL, EF .130	8
- 1 1 1 1	1-2217206-3	BLADE, SLUG	7
- - - - -	-	-	6
- 1 1 1 1	2-240641-9	SPACER	5
- 1 1 1 1	238009-1	BLOCK, FL CRIMPER SPACER	4
1 1 1 1 1	2119785-8	CRIMPER, INSULATION OVERLAP PREMIUM	3
- 1 1 1 1	1-455888-5	SPACER, CRIMPER	2
1 1 1 1 1	4-1490019-4	CRIMPER, WIRE PREMIUM	1
-77-27-25-22-21	PART NO	DESCRIPTION	ITEM NO

DIMENSIONS:	TOLERANCES UNLESS OTHERWISE SPECIFIED:	DATE	BY	APPV	NAME
mm	0 PLC ±.5 1 PLC ±.5 2 PLC ±.5 3 PLC ±.5 4 PLC ±.5 ANGLES ±.0001	11 JUNE 2014	J. HOU	Y. YIN	TE Connectivity Harrisburg, PA 17105-3608
MATERIAL:		SCALE	SHEET	OF	REV
FINISH:		1:1	3	4	B

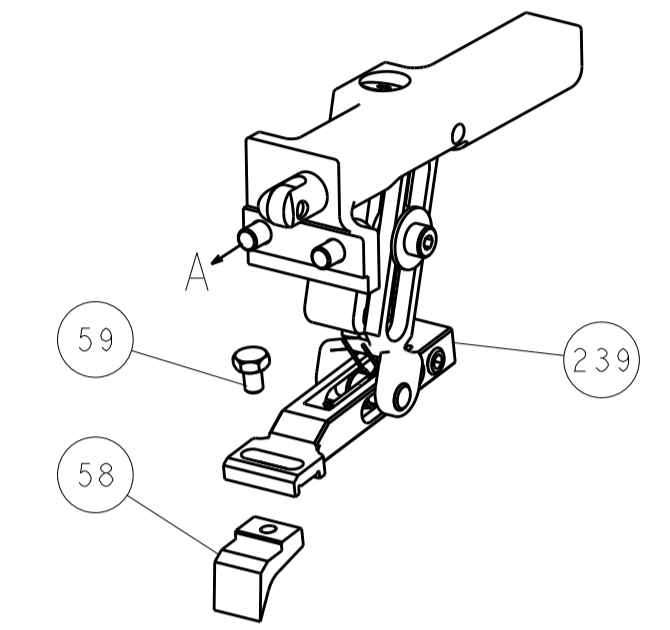
LOC		DIST		REVISIONS			
A	66	P	LTM	DESCRIPTION	DATE	DWN	APVD
		-	-	SEE SHEET 1	-	-	-



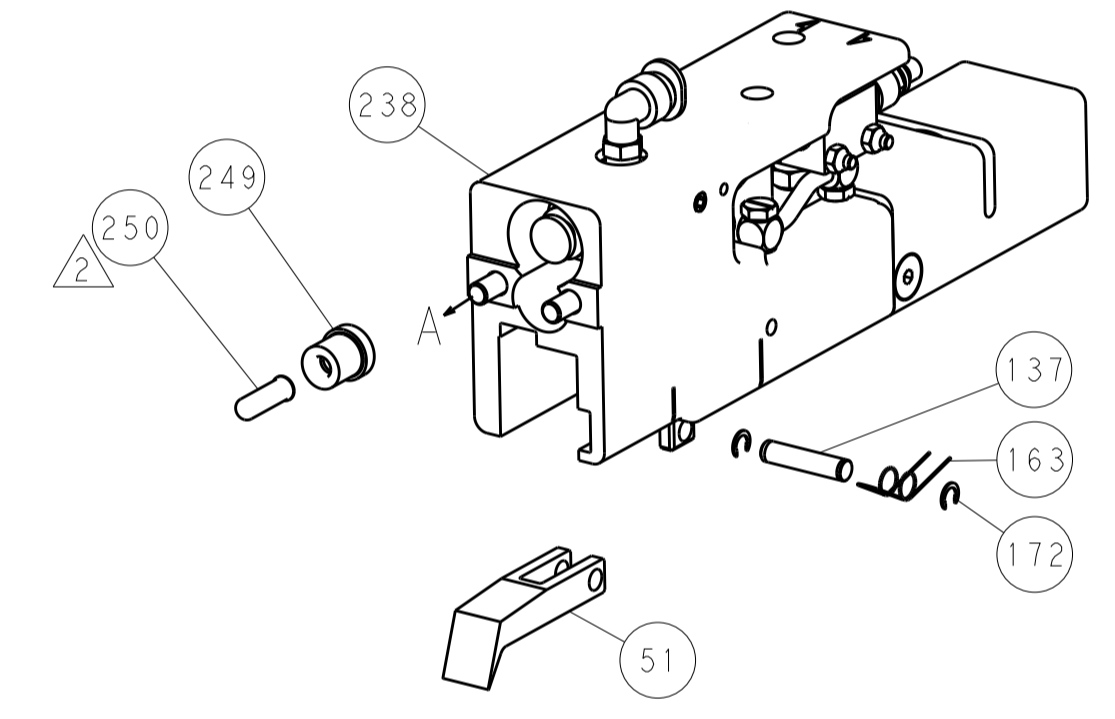
HOLDDOWN SET-UP



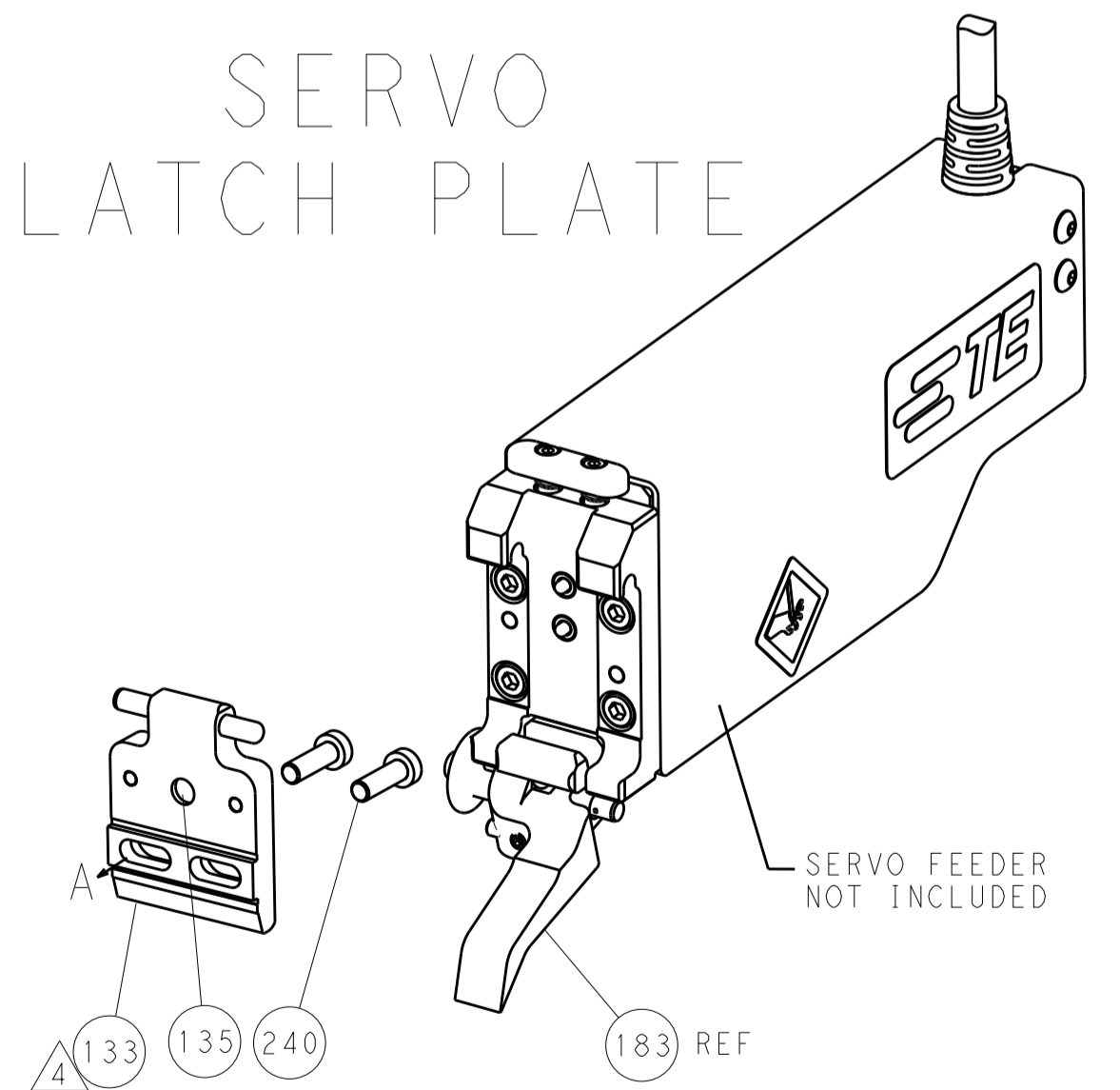
FEED TYPE  
MECHANICAL



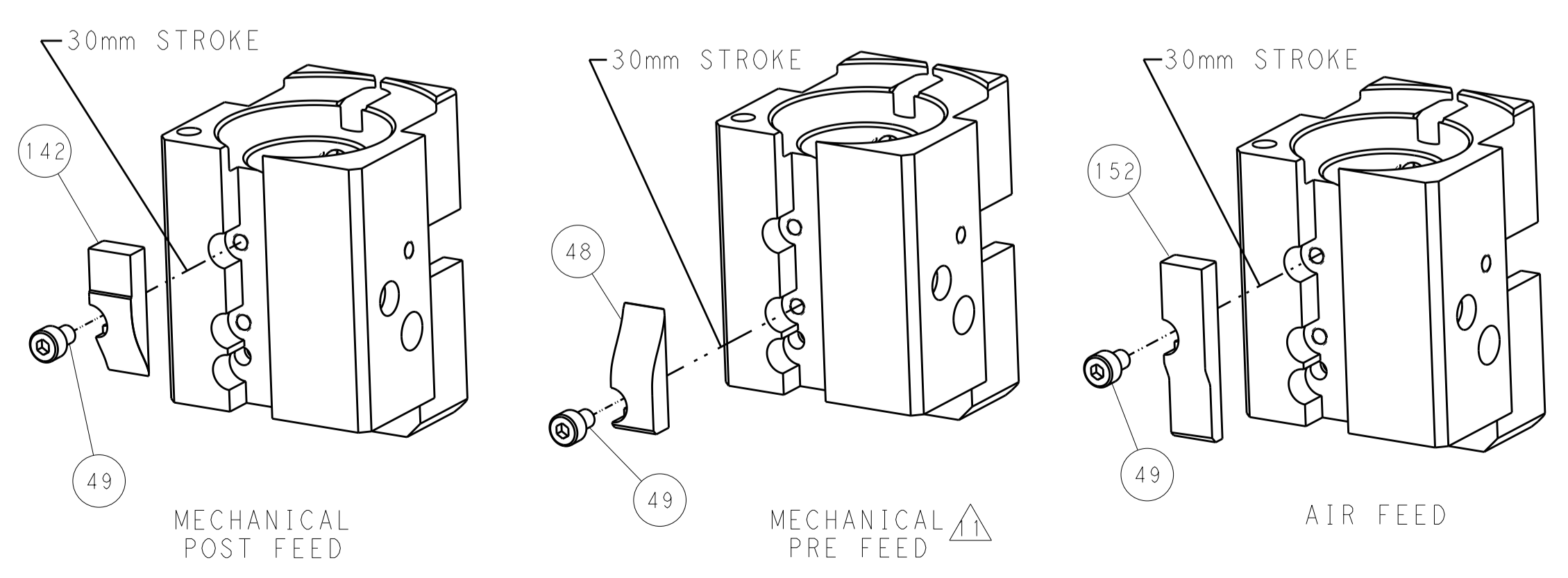
PNEUMATIC



SERVO  
LATCH PLATE



CAM POSITIONS



**PACIFIC VERSION**  
Shown on sheets 3 of 4 & 4 of 4  
(Atlantic version shown on sheets 1 of 4 & 2 of 4)

DIMENSIONS:		TOLERANCES UNLESS OTHERWISE SPECIFIED:		DWN: J. HOU 11JUNE2014		TE Connectivity	
mm	0 PLC ±0.5	1 PLC ±0.5	2 PLC ±0.13	3 PLC ±0.13	CHK: Y. YIN 11JUNE2014	Harrisburg, PA 17105-3608	
	4 PLC ±0.013	5 PLC ±0.001	6 PLC ±0.001	APVD: H. GUO 11JUNE2014	NAME: Ocean End Feed Applicator		
MATERIAL:	FINISH:	WEIGHT:	SCALE: 1:1	SIZE: A1	CAGE CODE: 00779	DRAWING NO: C=2150443	RESTRICTED TO:
			SHEET 4 OF 4	Customer Accessible Production Drawing			REV B