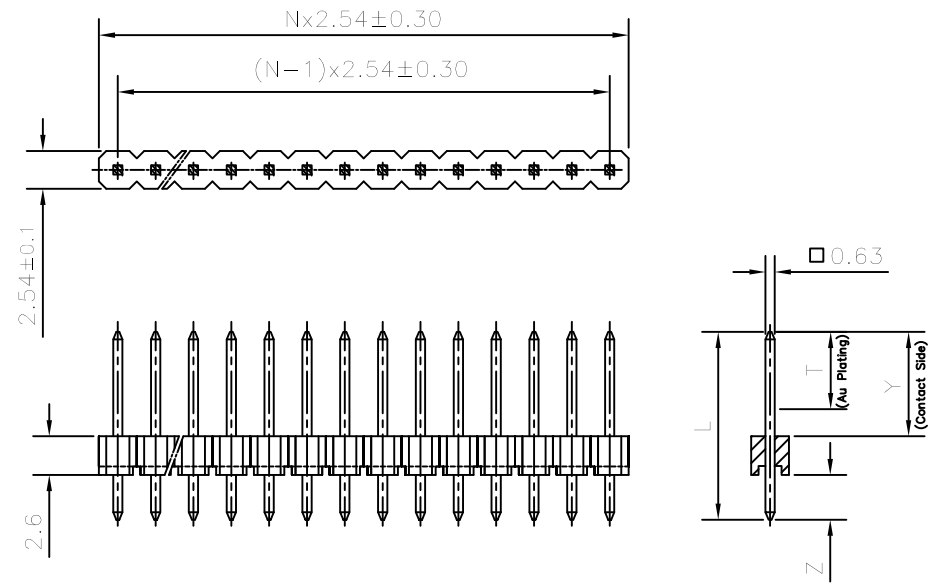
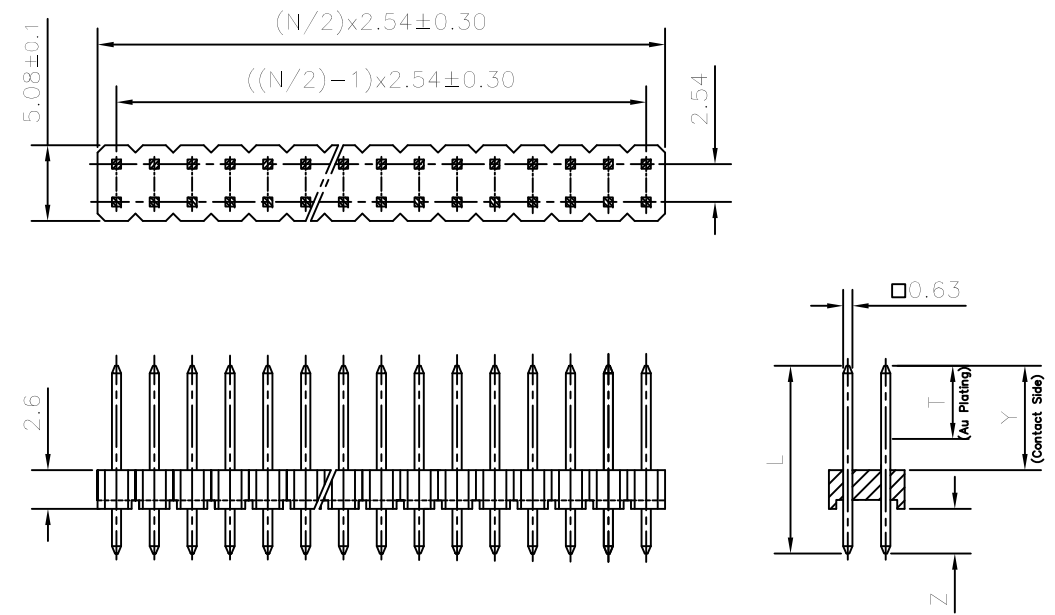


SINGLE ROW

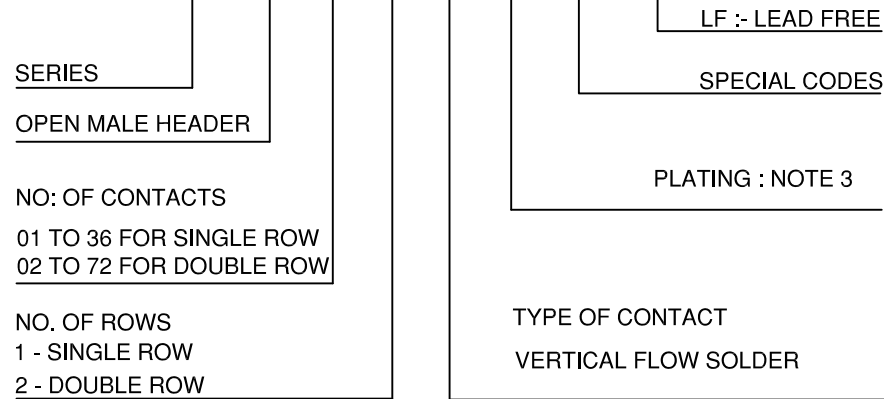


DOUBLE ROW



ORDERING INFORMATION

8614 - 00 - XX - X - YO - X - XXX - XX



NO: OF CONTACTS
01 TO 36 FOR SINGLE ROW
02 TO 72 FOR DOUBLE ROW

NO. OF ROWS
1 - SINGLE ROW
2 - DOUBLE ROW

TYPE OF CONTACT
VERTICAL FLOW SOLDER

13	8614-00-XX-X-YO-X-313	4.5	21.0	5.7	12.76
12	8614-00-XX-X-YO-X-314	5.8	19.6	7.0	10.06
11	8614-00-XX-X-YO-X-315	4.5	18.3	5.7	10.06
10	8614-00-XX-X-YO-X-316	4.5	15.8	5.7	7.56
09	8614-00-XX-X-YO-X-317	4.8	13.5	6.0	4.96
08	8614-00-XX-X-YO-X-318	14.2	21.0	15.4	3.06
07	8614-00-XX-X-YO-X-319	4.6	11.9	5.8	3.46
06	8614-00-XX-X-YO-X-320	4.2	18.3	12.7	3.06
05	8614-00-XX-X-YO-X-321	5.5	12.5	6.7	3.26
04	8614-00-XX-X-YO-X-322	5.8	12.5	7.0	2.96
03	8614-00-XX-X-YO-X-323	4.6	11.3	5.8	2.96
02	8614-00-XX-X-YO-X-324	7.3	13.5	8.5	2.46
01	8614-00-XX-X-YO-X-325	4.5	10.8	5.7	2.56
SL No.	OEN PART NO:	T	L±0.3	Y±0.2	Z±0.2
			DIMENSIONS		

NOTES:

- 1, THE REMAINING AREA ON THE CONTACT SIDE FOLLOWING THE DIMENSION 'T' SHOULD BE PLATED WITH GOLD FLASH
- 2, THE PRODUCT (LF) MEETS EUROPEAN UNION DIRECTIVES AND OTHER COUNTRY REGULATIONS AS DESCRIBED IN GS-47-004
3. FOR PLATING DETAILS AND TECHNICAL SPECIFICATION REFER DRAWING : C-8614-0000

mat'l. code NOTE 3		surface ISO 1302		tolerance ISO 406 ISO 1101		projection MM		product family 8614	
litr		ecn no		dr		date		title 8614 OPEN HEADER (STRAIGHT SPILL)	
A		106-0179		AB		2006-08-29		8614 OPEN HEADER (STRAIGHT SPILL)	
B		108-0006		MINI		2008-01-17		8614 OPEN HEADER (STRAIGHT SPILL)	
C		109-0184		GT		2009-09-05		8614 OPEN HEADER (STRAIGHT SPILL)	
D		110-0077		GT		2010-03-22		8614 OPEN HEADER (STRAIGHT SPILL)	
E		110-0136		GT		2010-06-23		8614 OPEN HEADER (STRAIGHT SPILL)	
F		ELX-1-16863		GM		2014-01-27		8614 OPEN HEADER (STRAIGHT SPILL)	
sheet index		revision sheet		E		1		type Product Customer Drawing	