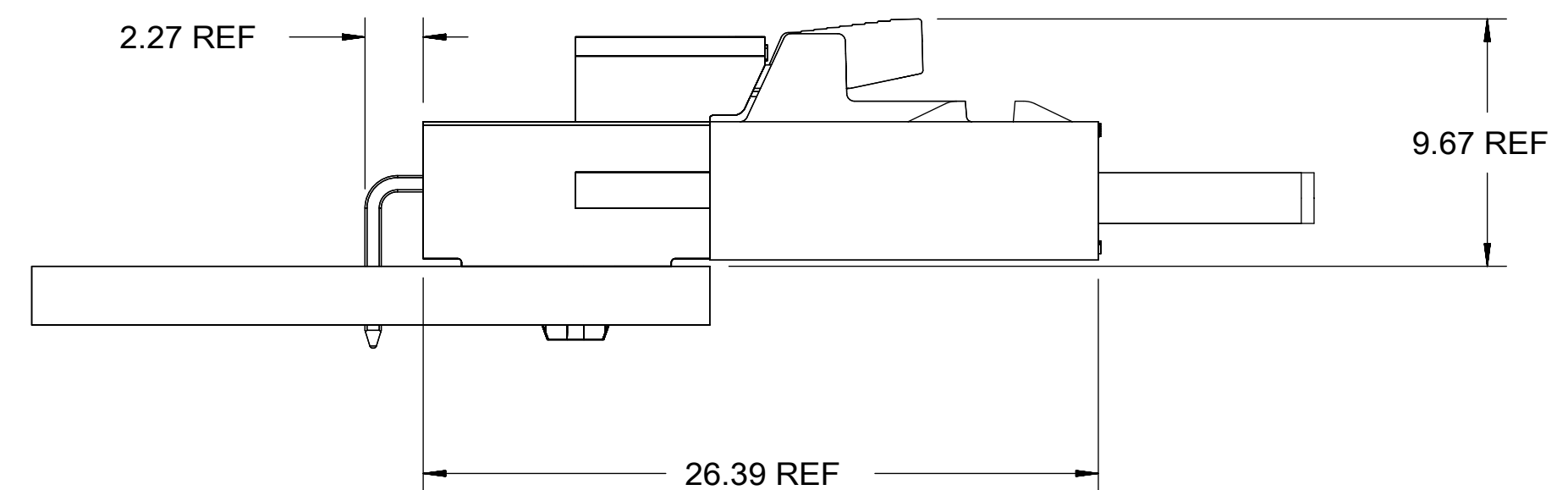


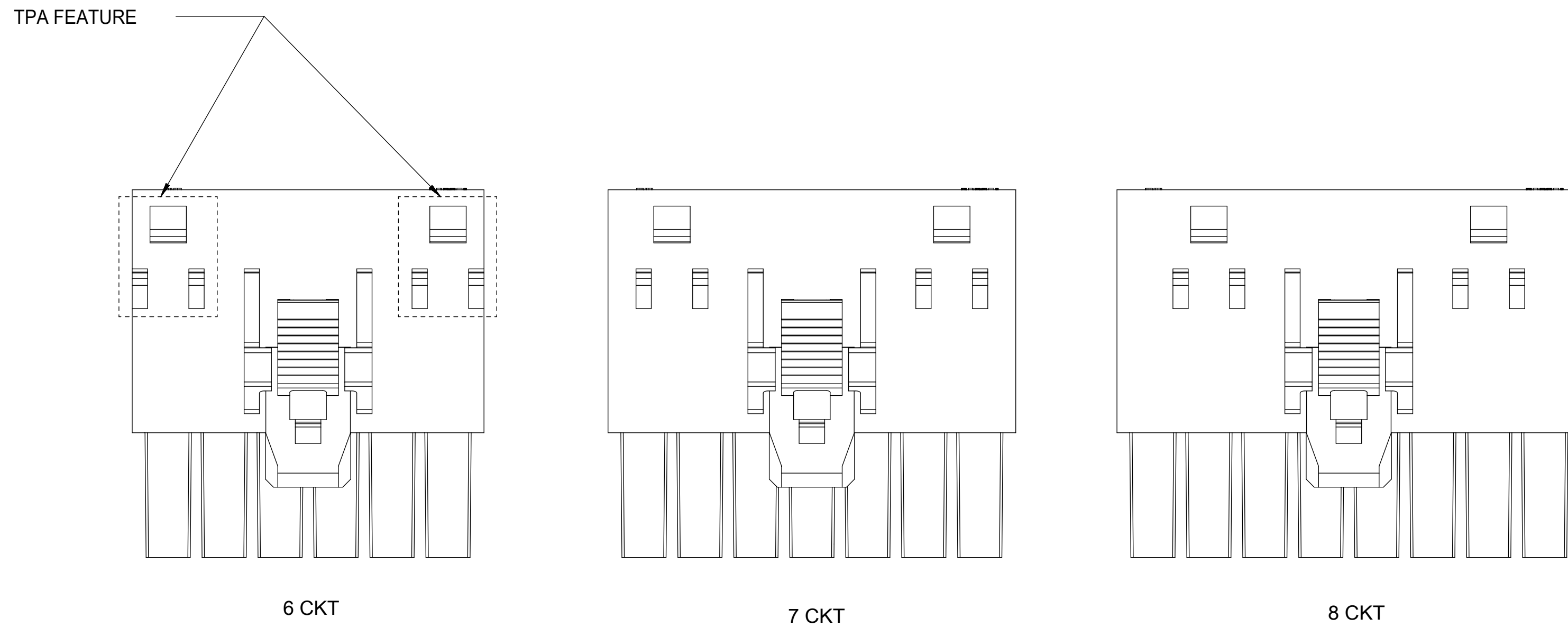
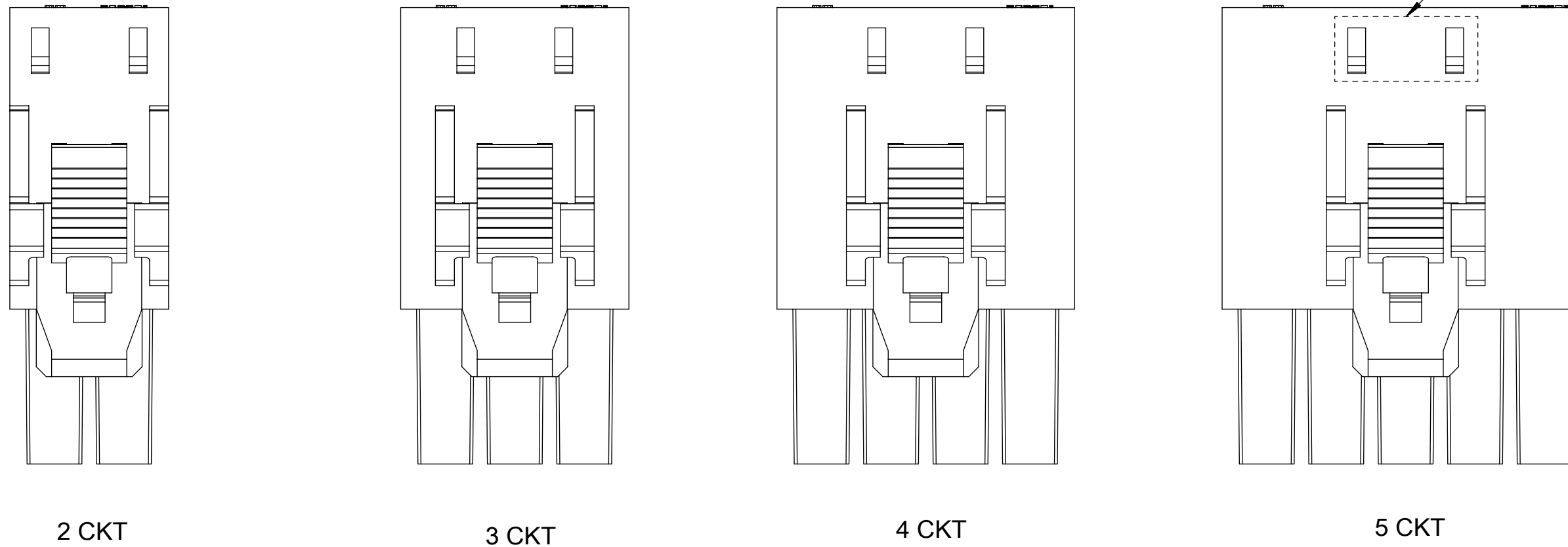
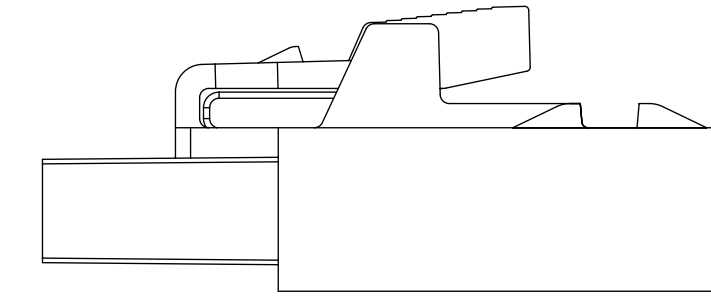
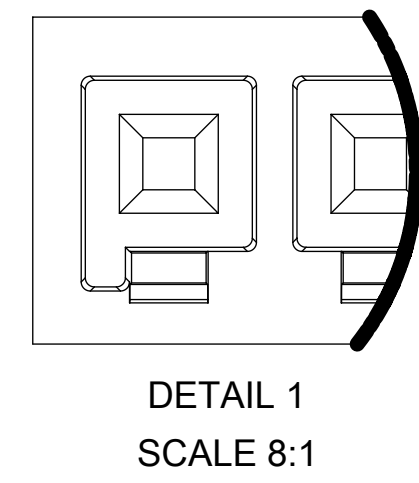
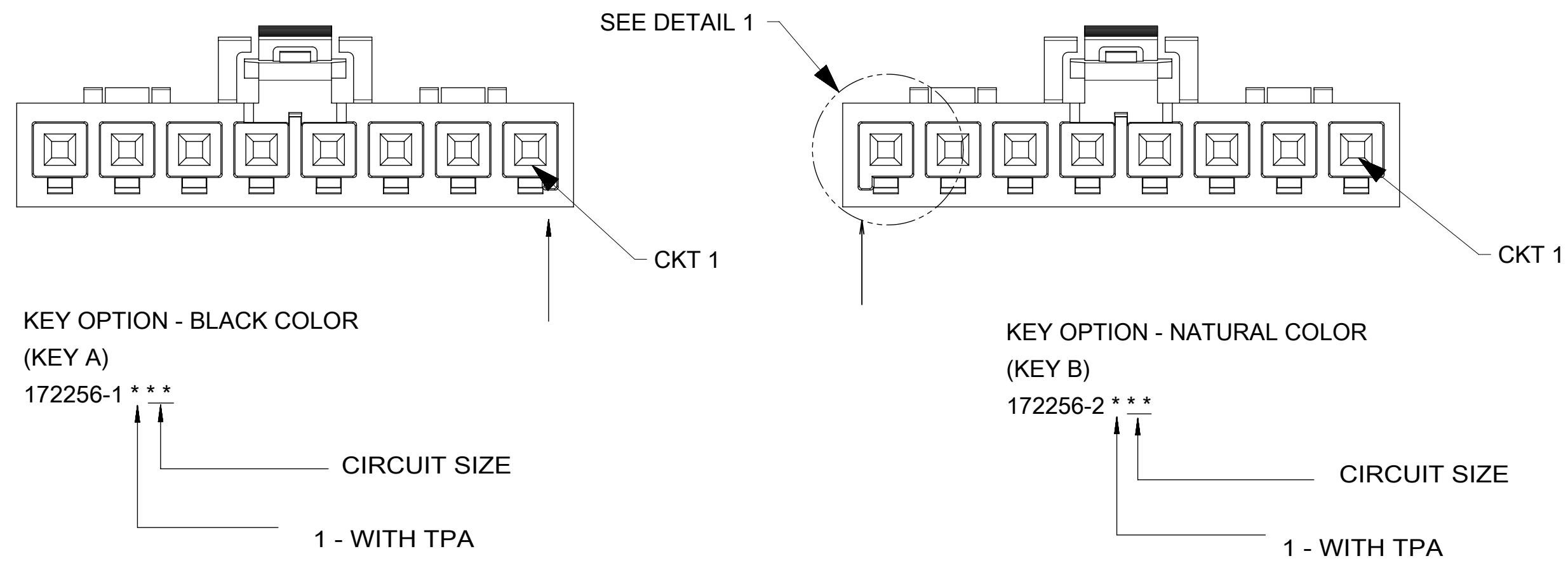
TERMINAL ORIENTATION



NOTES:

1. MATERIAL :  
OPTION 1: NYLON UL94 V-O BLACK  
OPTION 2: NYLON UL94 V-O NATURAL
2. PARTS TO BE PACKAGED PER PK-172323-0010
3. PRODUCT SPECIFICATION PS-172323-0001
4. PART MATES WITH MOLEX R/A HEADER ASSEMBLY 172310 AND VERTICAL HEADER ASSEMBLY 172286, 172287 SERIES.
5. TO USE WITH 172253 SERIES TERMINALS
6. TO USE WITH 172264 TPA
7. PARTS CONFORM TO CLASS "B" REQUIREMENTS OF COSMETIC SPECIFICATION PS-45499-002
8. APPLICATION SPECIFICATION AS-172323-0001

THIS DRAWING CONTAINS INFORMATION THAT IS PROPRIETARY TO MOLEX ELECTRONIC TECHNOLOGIES, LLC AND SHOULD NOT BE USED WITHOUT WRITTEN PERMISSION											
QUALITY SYMBOLS		GENERAL TOLERANCES (UNLESS SPECIFIED)				DIMENSION UNITS		SCALE			
$\nabla$ = 0 $\nabla$ = 0 $\nabla$ = 0 $\nabla$ = 0 $\nabla$ = 0 $\nabla$ = 0 $\nabla$ = 0 $\nabla$ = 0 $\nabla$ = 0		DRWN: PPEREZ03 CHKD: RHODGE APPR:				MM		4:1			
EC NO: 107866 DRWN: PPEREZ03 CHKD: RHODGE APPR:		ANGULAR TOL $\pm$ 4 PLACES $\pm$ 3 PLACES $\pm$ 2 PLACES $\pm$ 0.25 1 PLACE $\pm$ 0.5 0 PLACES $\pm$				DRWN BY: DROSCA DATE: 2014/03/06		APPR BY: JCOMERCI DATE: 2014/04/24		PRODUCT CUSTOMER DRAWING	
A8		DRAFT WHERE APPLICABLE MUST REMAIN WITHIN DIMENSIONS				DRAWING SIZE: D		THIRD ANGLE PROJECTION		SERIES: 172256 MATERIAL NUMBER: SD-172256-0001 CUSTOMER: GENERAL MARKET	
RELEASE STATUS		RELEASE DATE		DOCUMENT NUMBER: SD-172256-0001		DOC TYPE: PSD		DOC PART: 000		SHEET NUMBER: 1 OF 2	



TPA LATCH OPTION

WITH TPA ATTACH FEATURE					
PART NO.	UL	COLOR	CIRCUIT SIZE	KEY OPTION	DIM B
172256-1102	V-0	BLACK	2	KEY A	8.00
172256-1103	V-0	BLACK	3	KEY A	11.50
172256-1104	V-0	BLACK	4	KEY A	15.00
172256-1105	V-0	BLACK	5	KEY A	18.50
172256-1106	V-0	BLACK	6	KEY A	22.00
172256-1107	V-0	BLACK	7	KEY A	25.50
172256-1108	V-0	BLACK	8	KEY A	29.00
172256-2102	V-0	NATURAL	2	KEY B	8.00
172256-2103	V-0	NATURAL	3	KEY B	11.50
172256-2104	V-0	NATURAL	4	KEY B	15.00
172256-2105	V-0	NATURAL	5	KEY B	18.50
172256-2106	V-0	NATURAL	6	KEY B	22.00
172256-2107	V-0	NATURAL	7	KEY B	25.50
172256-2108	V-0	NATURAL	8	KEY B	29.00

WITHOUT TPA ATTACH FEATURE					
PART NO.	UL	COLOR	CIRCUIT SIZE	KEY OPTION	DIM B
172256-1002	V-0	BLACK	2	KEY A	8.00
172256-1003	V-0	BLACK	3	KEY A	11.50
172256-1004	V-0	BLACK	4	KEY A	15.00
172256-1005	V-0	BLACK	5	KEY A	18.50
172256-1006	V-0	BLACK	6	KEY A	22.00
172256-1007	V-0	BLACK	7	KEY A	25.50
172256-1008	V-0	BLACK	8	KEY A	29.00
172256-2002	V-0	NATURAL	2	KEY B	8.00
172256-2003	V-0	NATURAL	3	KEY B	11.50
172256-2004	V-0	NATURAL	4	KEY B	15.00
172256-2005	V-0	NATURAL	5	KEY B	18.50
172256-2006	V-0	NATURAL	6	KEY B	22.00
172256-2007	V-0	NATURAL	7	KEY B	25.50
172256-2008	V-0	NATURAL	8	KEY B	29.00

<b>QUALITY SYMBOLS</b> F = 0 E = 0 D = 0 C = 0 B = 0 A = 0 Z = 0 Y = 0 X = 0 W = 0 V = 0	THIS DRAWING CONTAINS INFORMATION THAT IS PROPRIETARY TO MOLEX ELECTRONIC TECHNOLOGIES, LLC AND SHOULD NOT BE USED WITHOUT WRITTEN PERMISSION				
	2016/08/25	2016/03/31	GENERAL TOLERANCES (UNLESS SPECIFIED)	DIMENSION UNITS	
	DRWN BY: PPEREZ03	CHKD BY: RHODGE	ANGULAR TOL ± °	SCALE	
	REV APPR:		4 PLACES ±	MM	
			3 PLACES ±	4:1	
			2 PLACES ± 0.25	DRWN BY: DROSCA	
			1 PLACE ± 0.5	DATE: 2014/03/06	
			0 PLACES ±	CHKD BY: DATE	
			DRAFT WHERE APPLICABLE MUST REMAIN WITHIN DIMENSIONS	APPR BY: JCOMERCI	
				DATE: 2014/04/24	
A8		DRAWING SIZE: D	THIRD ANGLE PROJECTION	<p>ULTRA-FIT RECEPTACLE 2-8 CKTS SINGLE ROW</p> <p>PRODUCT CUSTOMER DRAWING</p> <p>SERIES: 172256 MATERIAL NUMBER: 000 CUSTOMER: GENERAL MARKET</p> <p>DOCUMENT NUMBER: SD-172256-0001 DOC TYPE: PSD DOC PART: 000 SHEET NUMBER: 2 OF 2</p>	
RELEASE STATUS		RELEASE DATE			
19		18			
17		16			