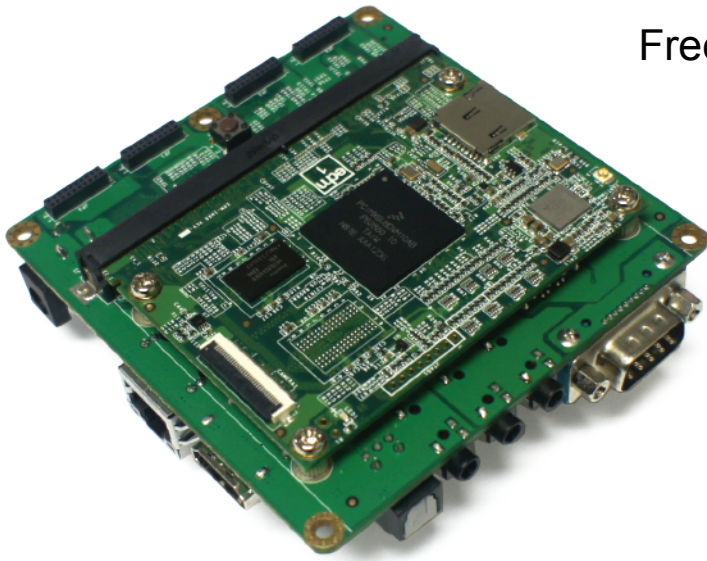
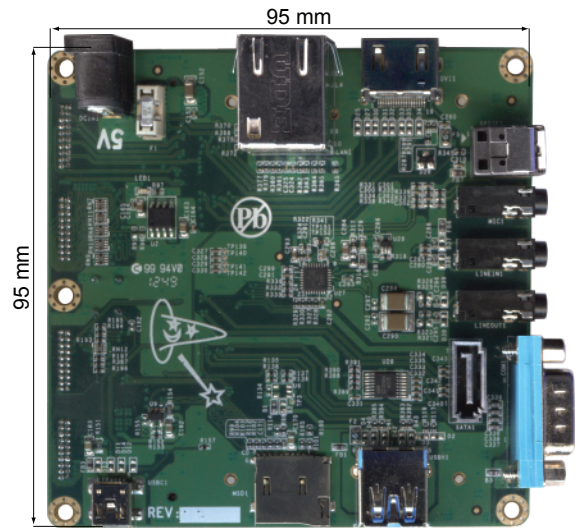


**WANDBOARD.ORG**



Freescale i.MX6 Cortex-A9  
Low cost open source community  
Development Board

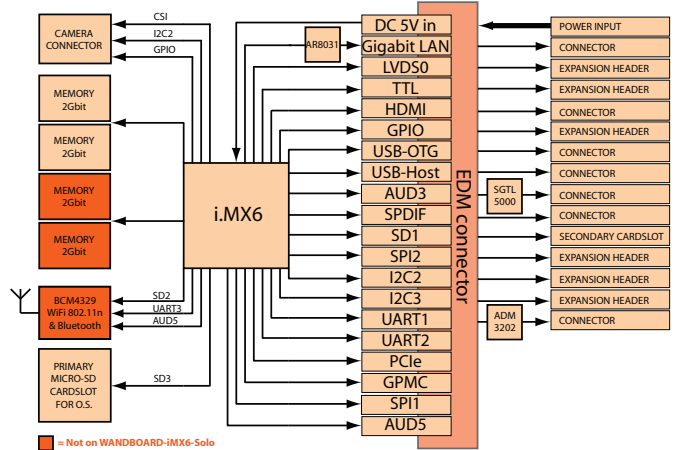
## Dimensional drawing



## Specifications

	Wandboard Solo	Wandboard Dual	Wandboard Quad
<b>Processor</b>	i.MX6 Solo	i.MX6 DualLite	i.MX6 Quad
<b>Cores</b>	ARM Cortex-A9 Single core @ 1GHz	ARM Cortex-A9 Dual core @ 1GHz	ARM Cortex-A9 Quad core @ 1GHz
<b>Memory</b>	512 MB DDR3	1 GB DDR3	2 GB DDR3
<b>Audio</b>	✓	✓	✓
<b>Optical S/PDIF</b>	✓	✓	✓
<b>HDMI</b>	✓	✓	✓
<b>Camera interface</b>	✓	✓	✓
<b>micro SD cardslot</b>	2	2	2
<b>Serial port</b>	✓	✓	✓
<b>Expansion Header</b>	✓	✓	✓
<b>USB</b>	✓	✓	✓
<b>USB OTG</b>	✓	✓	✓
<b>SATA connector</b>	X	X	✓
<b>Gigabit LAN</b>	✓	✓	✓
<b>WIFI (802.11n)</b>	X	✓	✓
<b>Bluetooth</b>	X	✓	✓

## Block diagram



## Order information

- |              |                          |
|--------------|--------------------------|
| wbsolo       | Wandboard i.MX6 Solo     |
| wbdual       | Wandboard i.MX6 DualLite |
| wbquad       | Wandboard i.MX6 Quad     |
| wbenclosure  | Wandboard enclosure      |
| wbantennakit | Wandboard antenna kit    |



Complete Schematics, Source Code and Documentation can be found on [www.wandboard.org](http://www.wandboard.org)