

520353

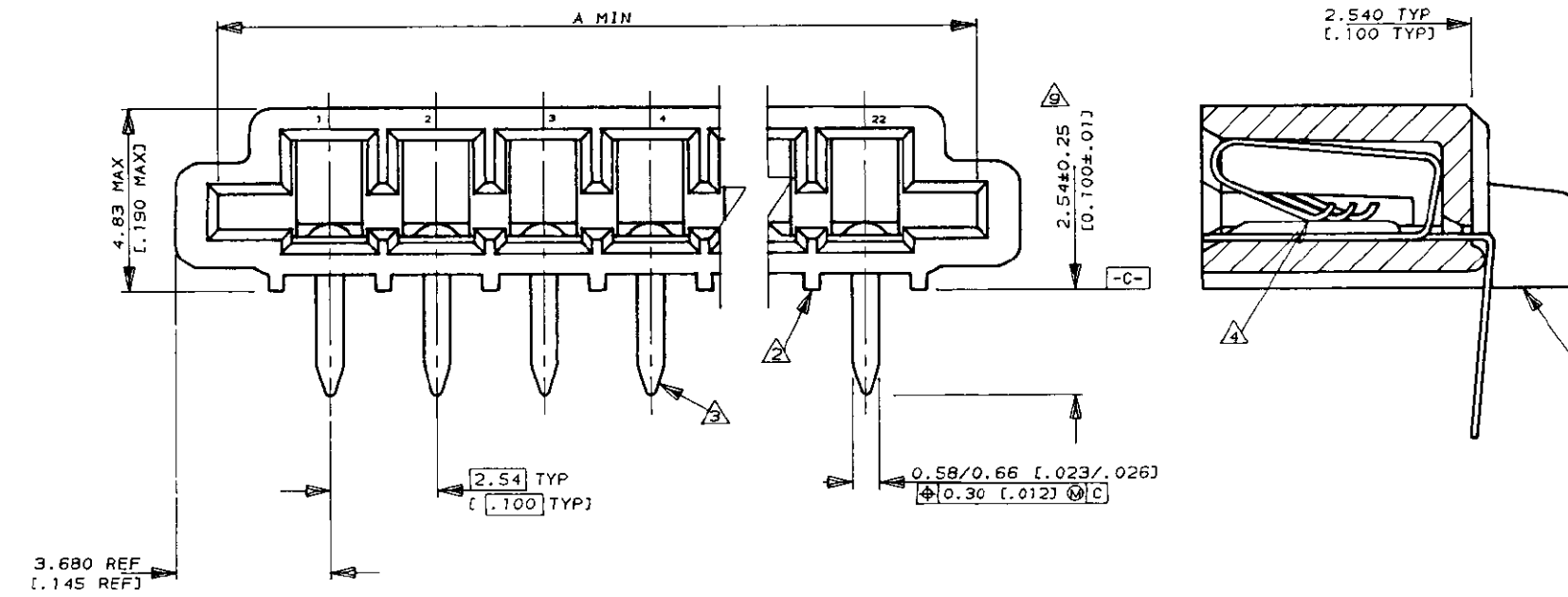
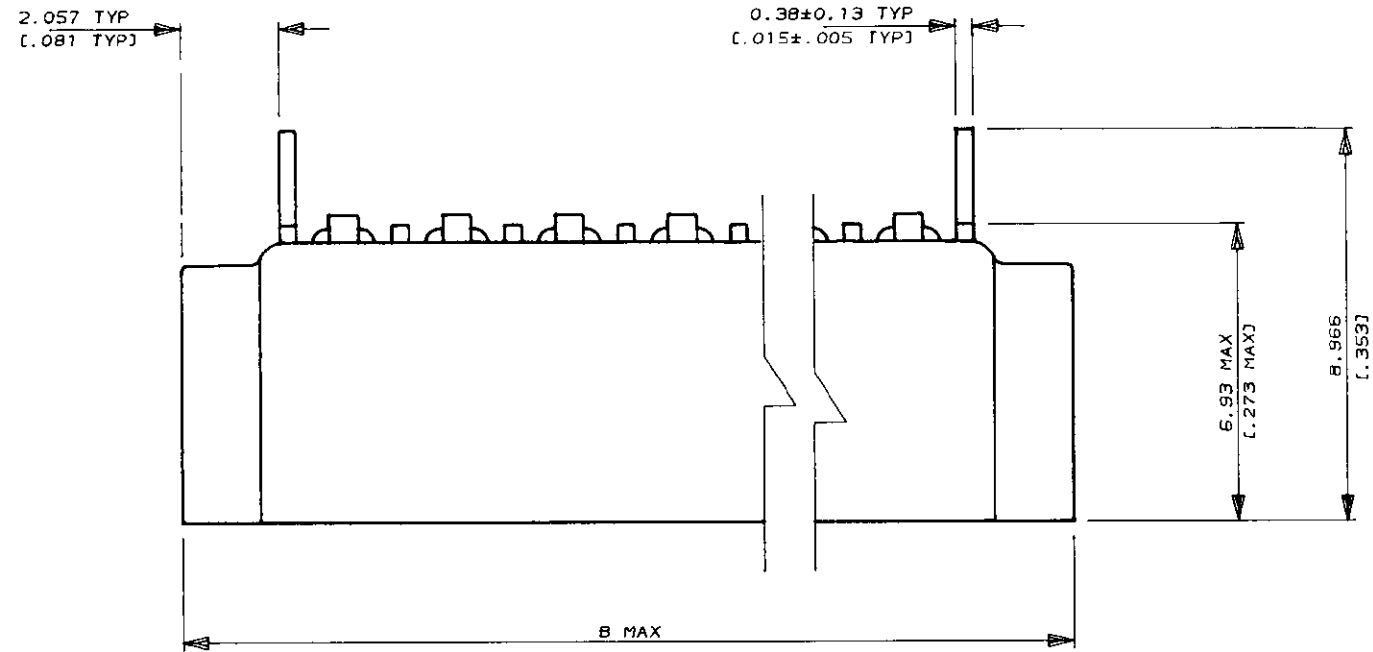
NUMBER

METRIC
(3rd ANGLE PROJECTION)

METRIC

DIMENSIONS IN MM (INCHES). DO NOT SCALE PRINT

PRINT LIST



NOTES

- 1 CONNECTOR WILL ACCEPT FLEXIBLE PRINTED CIRCUIT OR FLAT FLEXIBLE CABLE ON 2.54 [.100] CENTERS IN A THICKNESS RANGE OF 0.127 TO 0.381 [.005 TO .015] IN CONTACT AREA
- △ STAND-OFFS PREVENT SOLVENT ENTRAPMENT
- △ LEAD-IN ON PINS FOR EASE OF INSERTION INTO BOARD
- △ SEQUENTIAL CONTACTS REDUCE CABLE INSERTION FORCE
- △ STABILIZING WING MAY BE REMOVED BY CUSTOMER IF NECESSARY
- 6 ACCEPTS CABLE OR CIRCUITRY WITH EXPOSED CONDUCTORS FACING TOWARD OR AWAY FROM THE BOARD SURFACE
- 7 REFER TO APPLICATION SPEC 114-2062
- △ MATERIAL
HOUSING : GLASS REINFORCED POLYESTER THERMOPLASTIC UL 94 V0 RATED, BLACK
CONTACT : PHOS BRONZE WITH MATTE TIN FINISH.
- △ AREA INDICATED SHALL MEET SOLDERABILITY SPEC 109-11-1
- △ OBSOLETE PARTS: OBSOLETE CIS STREAMLINING PER D.RENAUD/D.SINISI

	LEAD FREE				SUPERSEDED	
	POS	A	B	POS	A	B
520353-2	22	58.57 [2.306]	60.78 [2.393]	2-520353-2		
520353-1	21	56.09 [2.206]	58.24 [2.293]	2-520353-1		
520353-0	20	53.49 [2.106]	55.70 [2.193]	2-520353-0		
520353-9	19	50.95 [2.006]	53.16 [2.093]	1-520353-9		
520353-8	18	48.41 [1.906]	50.62 [1.993]	1-520353-8		
520353-7	17	45.87 [1.806]	48.08 [1.893]	1-520353-7		
520353-6	16	43.33 [1.706]	45.54 [1.793]	1-520353-6		
520353-5	15	40.79 [1.606]	43.00 [1.693]	1-520353-5		
520353-4	14	38.25 [1.506]	40.46 [1.593]	1-520353-4		
520353-3	13	35.71 [1.406]	37.92 [1.493]	1-520353-3		
520353-2	12	33.17 [1.306]	35.38 [1.393]	1-520353-2		
520353-1	11	30.63 [1.206]	32.84 [1.293]	1-520353-1		
520353-0	10	28.09 [1.106]	30.30 [1.193]	1-520353-0		
520353-9	9	25.55 [1.006]	27.76 [1.093]	520353-9		
520353-8	8	23.01 [.906]	25.22 [.993]	520353-8		
520353-7	7	20.47 [.806]	22.68 [.893]	520353-7		
520353-6	6	17.93 [.706]	20.14 [.793]	520353-6		
520353-5	5	15.39 [.606]	17.60 [.693]	520353-5		
520353-4	4	12.85 [.506]	15.06 [.593]	520353-4		
520353-3	3	10.31 [.406]	12.52 [.493]	520353-3		
520353-2	2	7.77 [.306]	9.98 [.393]	520353-2		

				Copyright ©1993		Copyright ©1993						
				TE MFG (S) PTE LTD.		ALL RIGHTS RESERVED.						
M3	ECR-10-022530	KK	HMR	07FEB11	(WIRE RANGE)	(INSULATION DIA.)	(NAME)	TRIOMATE HORIZONTAL CABLE ENTRY FOR 1.57 [.062] THK P.C. BOARD				
M2	ECO-10-000445	KK	AEG	12JAN10	mm ² (AWG -)	mm ²						
M1	REVISED ECR-06-004332	PM	KS	21FEB0	(MATERIAL)	(FINISH) CONTACTS	(GENERAL TOLERANCE)	SIZE	LOC	(No.)	520353	
M	REVISED FR00-0011-04	SD	PCH	19FEB04	△	MATTETIN/LEAD PLATED	±0.38	A3	DY			
L	REDRAWN DY/EC/184	LWY	SL	30.7.93	DR. WYLEE	DE. A. SCH	[±.015]	(SCALE)	REV.	SHEET	M3 1 OF 1	
LTR	(REVISION RECORD)	DR	CHK	DATE	CHK. SALLY	APP. PETER de JONG	6:1					

(CUSTOMER DRAWING)