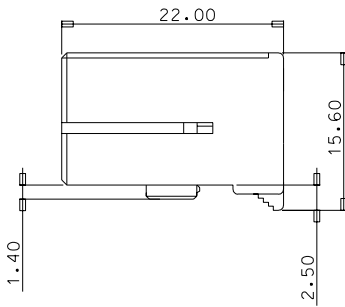
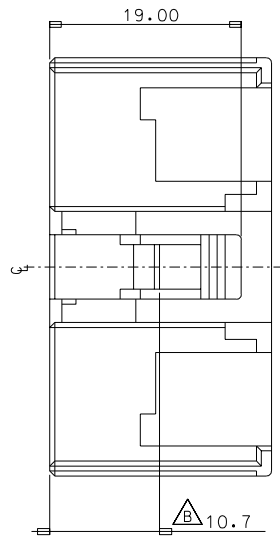
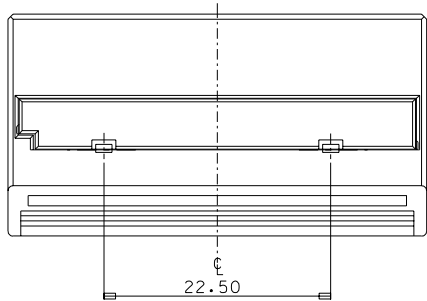
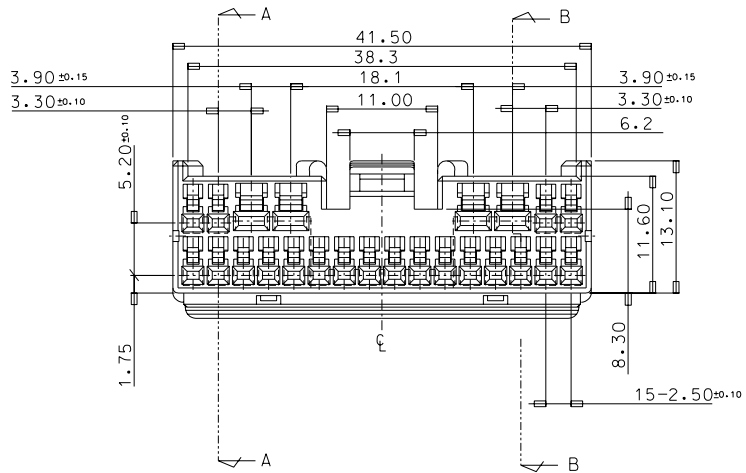
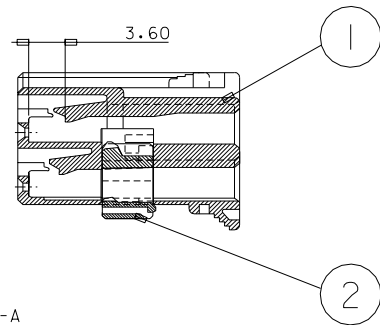


DWG. NO. SD-35896-002  
 SIMILAR ITEM  
 PROJECT NO.  
 C  
 B  
 DO NOT SCALE DRAWING DIMENSION IN METRIC

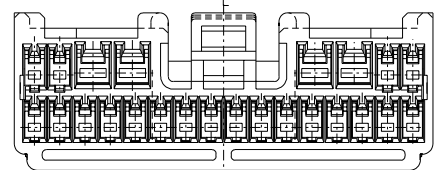
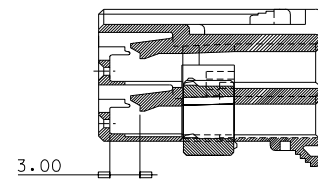
NO.	PART NO.	PART NAME	MATERIAL	REMARK
I-1	35896-2490	.040/090 F/HSG 24P	POLYESTER	WHITE
I-2	35896-2491	.040/090 F/HSG 24P	POLYESTER	BLACK
I-3	35896-2495	.040/090 F/HSG 24P	POLYESTER	GRAY
4	35896-2483	.040/090 FEMALE TPA 24P	POLYESTER	YELLOW



SECTION B-B



SECTION A-A



NOTE

- MATERIAL & FINISH: SEE TABLE
- APPLICATION: .040/090 MALE HOUSING ASS'Y 24P(ENG. NO.:35897-2410)

3	358962415	35896-2415
2	358962411	35896-2411
1	358962410	35896-2410
NO.	MATERIAL NO.	ENG. NO.

DIMENSIONS:		SHT	REV
<input type="checkbox"/> mm	<input type="checkbox"/> INCH	<input type="checkbox"/> mm	<input checked="" type="checkbox"/> INCH
		REVISE ON CAD ONLY	

RELEASE TO MANUFACTURING EC NO.: KOR2002-0139 DRWN: H.C.RHO 02/06/25 CHK: H.C.RHO 02/06/25 APPR: C.W.LEE 02/06/25	QUALITY SYMBOLS MAJOR CRITICAL	GENERAL TOLERANCES: (UNLESS SPECIFIED)		SCALE 2:1	DESIGN UNITS <input checked="" type="checkbox"/> mm <input type="checkbox"/> INCH	THIRD ANGLE PROJECTION	TITLE: .040/090 FEMALE HOUSING ASS'Y 24P		
		4 PLACES	±0.	±.	DRAWN BY & DATE 00/06/09 H.C.RHO				
		3 PLACES	±0.	±.	CHECKED BY & DATE 00/06/09 B.K.CHOI				
		2 PLACES	±0.2	±.	APPROVED BY & DATE 00/06/09 C.W.LEE				
1 PLACE	±0.3	±.	ANGULAR: ± 1 °		CAD FILENAME 49FHA24	MATERIAL NO. SEE CHART	DRAWING NO. SD-35896-002	SHEET NO. 1 OF 1	
DRAFT WHERE APPLICABLE MUST REMAIN WITHIN DIMENSIONS		THIS DRAWING CONTAINS INFORMATION THAT IS PROPRIETARY TO MOLEX INCORPORATED AND SHOULD NOT BE USED WITHOUT WRITTEN PERMISSION.						SIZE B	

MOLEX MOLEX INCORPORATED