


Power supply unit - EMG 45-NZG/G 5/SI - 2954963

Please be informed that the data shown in this PDF Document is generated from our Online Catalog. Please find the complete data in the user's documentation. Our General Terms of Use for Downloads are valid (<http://download.phoenixcontact.com>)

Voltage regulator module with fixed-voltage regulator, input 10 V-16 V AC/ 12 V-23 V DC, output 5 V DC/1 A



Key commercial data

| | |
|--------------------------------------|---|
| Packing unit | 1 PCE |
| GTIN |  4 017918 117856 |
| Weight per Piece (excluding packing) | 183.3 GRM |
| Custom tariff number | 85044082 |
| Country of origin | Germany |

Technical data

Dimensions

| | |
|--------|-------|
| Width | 45 mm |
| Height | 86 mm |
| Depth | 75 mm |

Ambient conditions

| | |
|---------------------------------|----------------|
| Degree of protection | IP20 |
| Ambient temperature (operation) | 0 °C ... 55 °C |

Input data

| | |
|-----------------------------|---------------------|
| Nominal input voltage | 12 V AC 10 % |
| Nominal input voltage range | 12 V DC ... 16 V DC |
| AC frequency range | 60 Hz ... 50 Hz |
| Nominal power consumption | approx. 41 VA |

Power supply unit - EMG 45-NZG/G 5/SI - 2954963

Technical data

Input data

| | |
|------------|-------------------------------|
| Input fuse | 1.25 A (normal-blow (5 x 20)) |
|------------|-------------------------------|

Output data

| | |
|------------------------------|------------------------------|
| Nominal output voltage | 5 V DC $\pm 4\%$ |
| Output current | 1 A |
| Residual ripple | ≤ 150 mV _{PP} |
| Type of protection | Thermo-electronic disconnect |
| Protective circuit/component | Varistor |

General

| | |
|---------------------------|------------------------------------|
| Net weight | 178 g |
| Operating voltage display | Green LED |
| Operating mode | 100% operating factor |
| Mounting position | Vertical, horizontal |
| Assembly instructions | Can be aligned with spacing = 5 mm |

Connection data, input

| | |
|--|---------------------|
| Connection method | Screw connection |
| Conductor cross section solid min. | 0.2 mm ² |
| Conductor cross section solid max. | 4 mm ² |
| Conductor cross section stranded min. | 0.2 mm ² |
| Conductor cross section stranded max. | 2.5 mm ² |
| Conductor cross section AWG/kcmil min. | 24 |
| Conductor cross section AWG/kcmil max | 14 |
| Stripping length | 8 mm |
| Screw thread | M3 |

Connection data, output

| | |
|--|---------------------|
| Connection method | Screw connection |
| Conductor cross section solid min. | 0.2 mm ² |
| Conductor cross section solid max. | 4 mm ² |
| Conductor cross section stranded min. | 0.2 mm ² |
| Conductor cross section stranded max. | 2.5 mm ² |
| Conductor cross section AWG/kcmil min. | 24 |
| Conductor cross section AWG/kcmil max | 14 |
| Stripping length | 8 mm |

Power supply unit - EMG 45-NZG/G 5/SI - 2954963

Classifications

eCl@ss

| | |
|------------|----------|
| eCl@ss 4.0 | 27040702 |
| eCl@ss 4.1 | 27040702 |
| eCl@ss 5.0 | 27242213 |
| eCl@ss 5.1 | 27242213 |
| eCl@ss 6.0 | 27049003 |
| eCl@ss 7.0 | 27049003 |
| eCl@ss 8.0 | 27049003 |

ETIM

| | |
|----------|----------|
| ETIM 2.0 | EC001039 |
| ETIM 3.0 | EC001039 |
| ETIM 4.0 | EC002045 |
| ETIM 5.0 | EC002045 |

UNSPSC

| | |
|---------------|----------|
| UNSPSC 6.01 | 30211502 |
| UNSPSC 7.0901 | 39121004 |
| UNSPSC 11 | 39121004 |
| UNSPSC 12.01 | 39121004 |
| UNSPSC 13.2 | 39121004 |

Approvals

Approvals

Approvals

GOST

Ex Approvals

Approvals submitted

Approval details

Power supply unit - EMG 45-NZG/G 5/SI - 2954963

Approvals



Accessories

Accessories

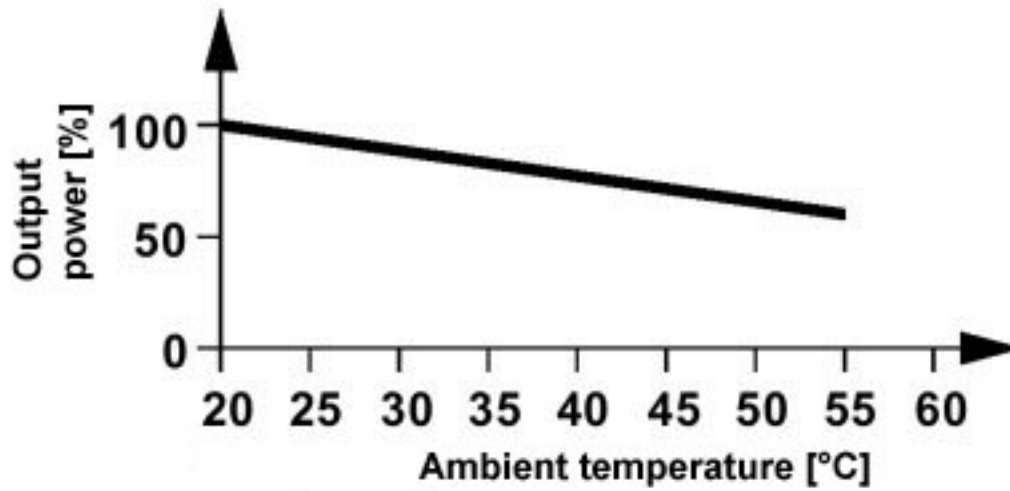
Marking material - EMG-GKS 12 - 2947035



Equipment marker, width 12 mm

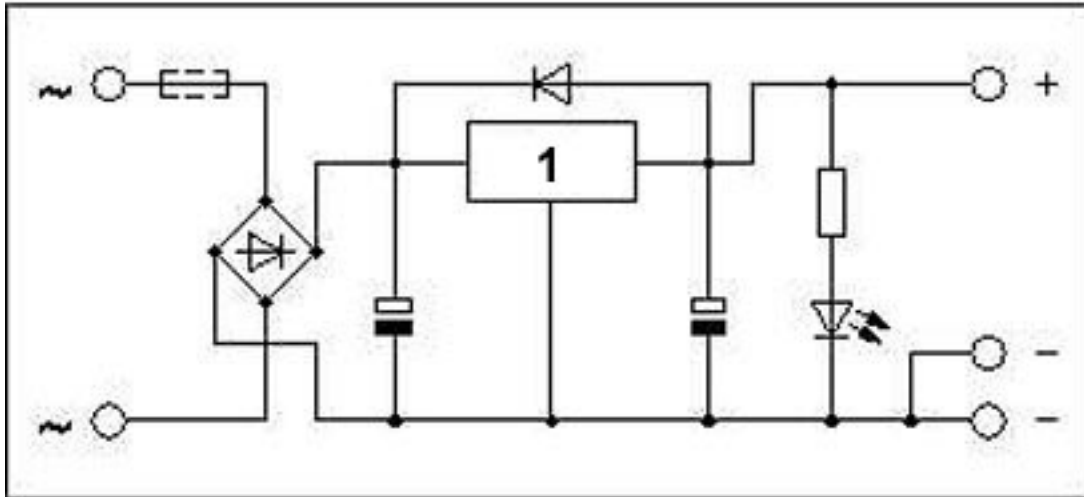
Drawings

Diagram



Power supply unit - EMG 45-NZG/G 5/SI - 2954963

Circuit diagram



1 = regulator