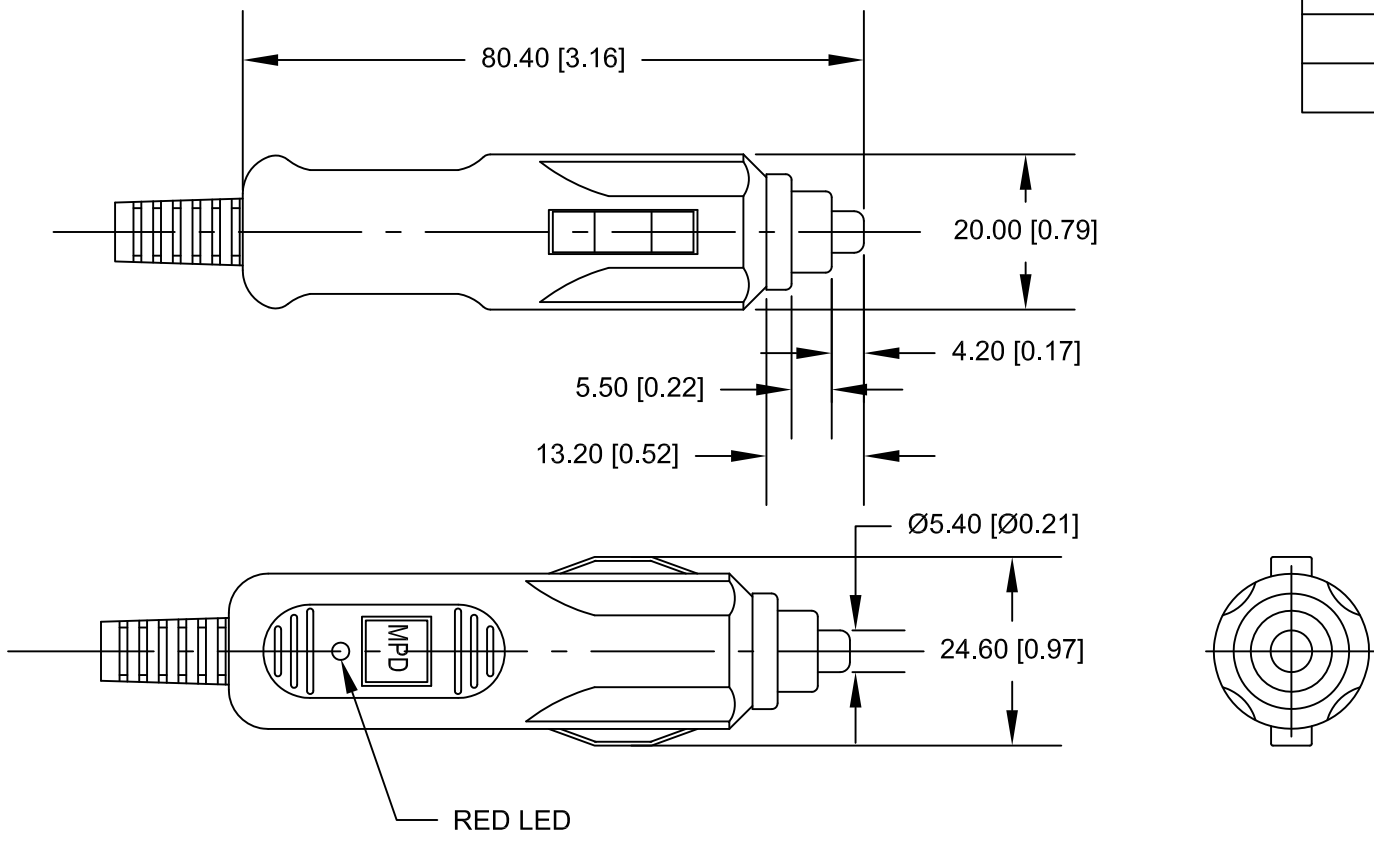



Date	SYM	REVISION RECORD	AUTH	DR.	CK.
02/19/16	A	ADDED DIM. Ø80.40 REMOVED DIM. 97.00	T.B.	B.S.	



SPECIFICATION:
 BODY: HIGH IMPACT ABS, UL94V-HB, FILE NO. E56070(S)
 COLOR: BLACK
 CENTER CONTACT: BRASS, NICKEL PLATED
 SLIDING CONTACT: PHOS. BRONZE, NICKEL PLATED
 SPRING: PHOS. BRONZE WIRE
 WIRE STRAIN RELIEF: PVC
 LED: RED, 3mm 12V
 FUSE: 250V, 5AMP, 3AG 6.35mm X 30mm (1/4"X1 1/4")
 RATED AT 18 HOURS, CONTINUOUS DUTY
 5AMP'S MAX WITH CORRECT FUSE
 ROHS 2 COMPLIANT

Tolerance (Inches)	 Memory Protection Devices, Inc 200 Broad Hollow Road, Farmingdale, New York 11735		
	Decimal ±.5 (.020)	Scale	Drawn By B.S. Approved By T.B.
Fractional ±.8 (.030)	Title CIGARETTE PLUG FOR 21 OR 22.2mm DIA. SOCKETS		
Angular ± 3°	Date 02/19/16	Drawing Number APP-001-5AMP	