

REFERENCE SPECIFICATIONS

-NFC 93425 (in compliance with HE 507)

PHYSICAL CHARACTERISTICS

-INSULATOR MATERIAL: THERMOPLASTIC UL94V0  
 -CONTACT MATERIAL: PHOSPHOR BRONZE ( signal contact )  
 GOLD OVER NICKEL

-ACCESSORIES: STAINLESS STEEL or BRASS,  
 cadmium plated yellow passivation  
 -SHELLS: STEEL, cadmium plated yellow passivation

ELECTRICAL CHARACTERISTICS

-NOMINAL CURRENT: 7.5A  
 -CONTACT RESISTANCE: <= 7.3 m ohms signal  
 -CONTACT/CONTACT : >=1000 V  
 -CONTACT/GROUND : >=1200 V  
 -INSULATION RESISTANCE: >=5000 MOhms

ENVIRONMENTAL CHARACTERISTICS

- CLIMATIC CATEGORY: 55/125/21  
 TEMPERATURE RANGE -55°C TO +125°C  
 DAMP HEAT STEADY STATE 56 DAYS  
 SALT SPRAY 48 HOURS

MECHANICAL CHARACTERISTICS

- RETENTION AGAINST TORQUE: - Threaded insert: 0.7 N.m minimum  
 - Female screw : 0.5 N.m minimum

# DBML13W3P043N

Series ←

Shell size: **E A B C D** ←  
 see sheet 3

**M** :characteristic  
 for the DM series

Front accessory definition  
 see sheet 2

**Blank** :without accessory

**O** :threaded insert M3

**L** :threaded insert UNC 4-40

**V** :female screw UNC 4-40

**F** :floating mounting

Layout of contacts ←

Contacts ←

**P** :Pin

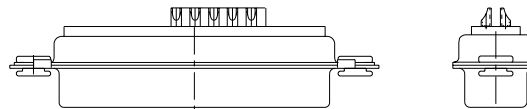
Plating ←

**Blank** solder bucket 500 matings/unmatings

**043** solder bucket 500 matings/unmatings for harsh environment

**N** :obligatory indication for HE 507 series ←

13W3 FOR EXAMPLE



rev	ecn no	dr	date
A	LS06-0174	MPE	2006/11/14
B	LS07-0273	MPE	2007/10/30
-	-	-	-
-	-	-	-
-	-	-	-
-	-	-	-

www.fciconnect.com		surface	tolerance std	projection	mm
		ISO 1302	ISO 406 ISO 1101	⊕	←
		TOLERANCES UNLESS OTHERWISE SPECIFIED			
Dr	M PESSON	2006/11/14	ANGULAR	0.X ±0.3	size A2 Scale 2:1
Eng	P LEGARE	2006/11/14	LINEAR	0.xx ±0.1	
Chr	P LEGARE	2006/11/14	0° ±2°	0.xxx ±0.05	ECN LS07-0273
Appr	P LEGARE	2006/11/14	Product family	- Spec ref	
FCJ		SUB MALE DMW	cat no	C01-8637-1754	Rev. B
		mixed power+solder bucket	cat no	CUSTOMER	sheet 1 of 7

Copyright FCJ.

1 2 3 4 5 6 7 8

A

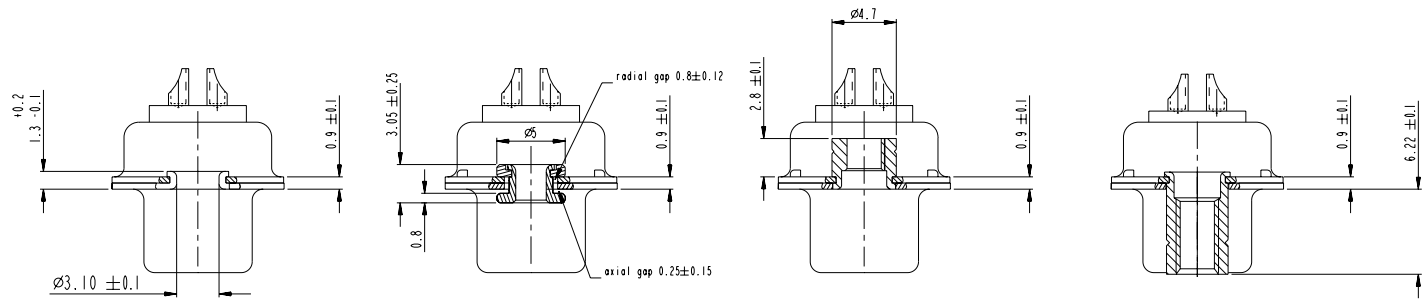
B

C

D

E

F



FRONT ACCESSORY	<b>Blank</b> without	<b>F</b> floating mounting	<b>L</b> insert M3 <b>O</b> insert UNC 4.40	<b>V</b> female screw UNC 4.40
-----------------	----------------------	----------------------------	--	--------------------------------

PART NUMBER	FRONT ACCESSORY
D*MxWxPN	without
D*MFxWxPN	Floating mounting
D*MLxWxPN	insert M3
D*MOxWxPN	insert UNC 4.40
D*MVxWxPN	female screw UNC 4.40
D*MxWxP043N	without
D*MFxWxP043N	Floating mounting
D*MLxWxP043N	insert M3
D*MOxWxP043N	insert UNC 4.40
D*MVxWxP043N	female screw UNC 4.40

shell size LAYOUTS

#	xWx
E	5W1
A	11W1
A	7W2
B	21W1
B	17W2
B	13W3
B	9W4
C	25W3
C	21WA4
C	27W2
D	47W1
D	24W7
D	36W4



Copyright FCJ.

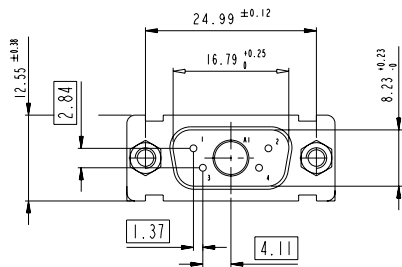
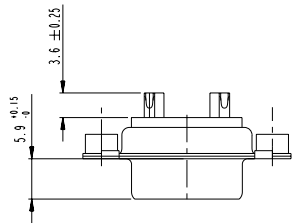
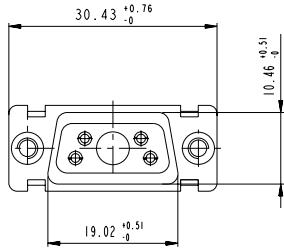
www.fciconnect.com		surface ISO 1302	tolerance std ISO 406 ISO 1101	projection size A2	mm Scale 2:1
Dr M PESSON 2006/11/14		TOLERANCES UNLESS OTHERWISE SPECIFIED		ECN LS07-0273	
Eng P LEGARE 2006/11/14	ANGULAR	0.X	±0.3	Spec ref	
Chr P LEGARE 2006/11/14	LINEAR	0.XX	±0.1	Product family	
Appr P LEGARE 2006/11/14	0° ±2°	0.XXX	±0.05	SUB MALE DMW	
mixed power+solder bucket		catalog no		dwg no C01-8637-1754	Rev. B
				CUSTOMER	sheet 2 of 7

SCALE: 4

REV 7 - 2006-04-17

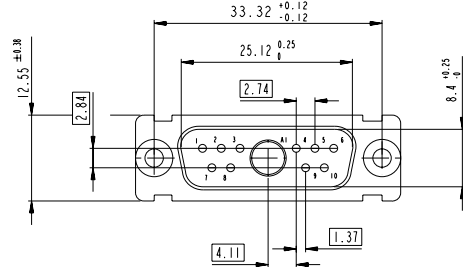
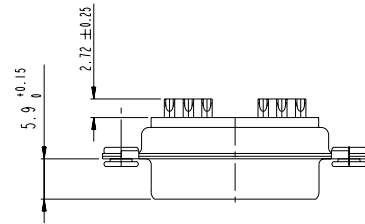
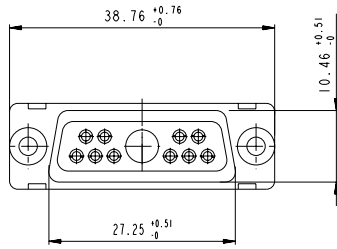
1 2 3 4 5 6 7 8

5W1

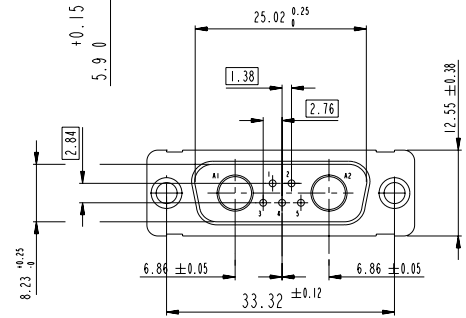
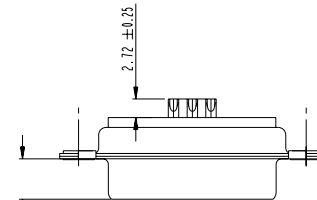
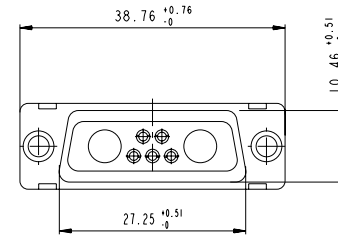


Floating signal contacts

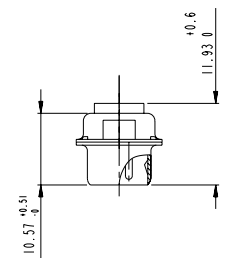
11W1



7W2

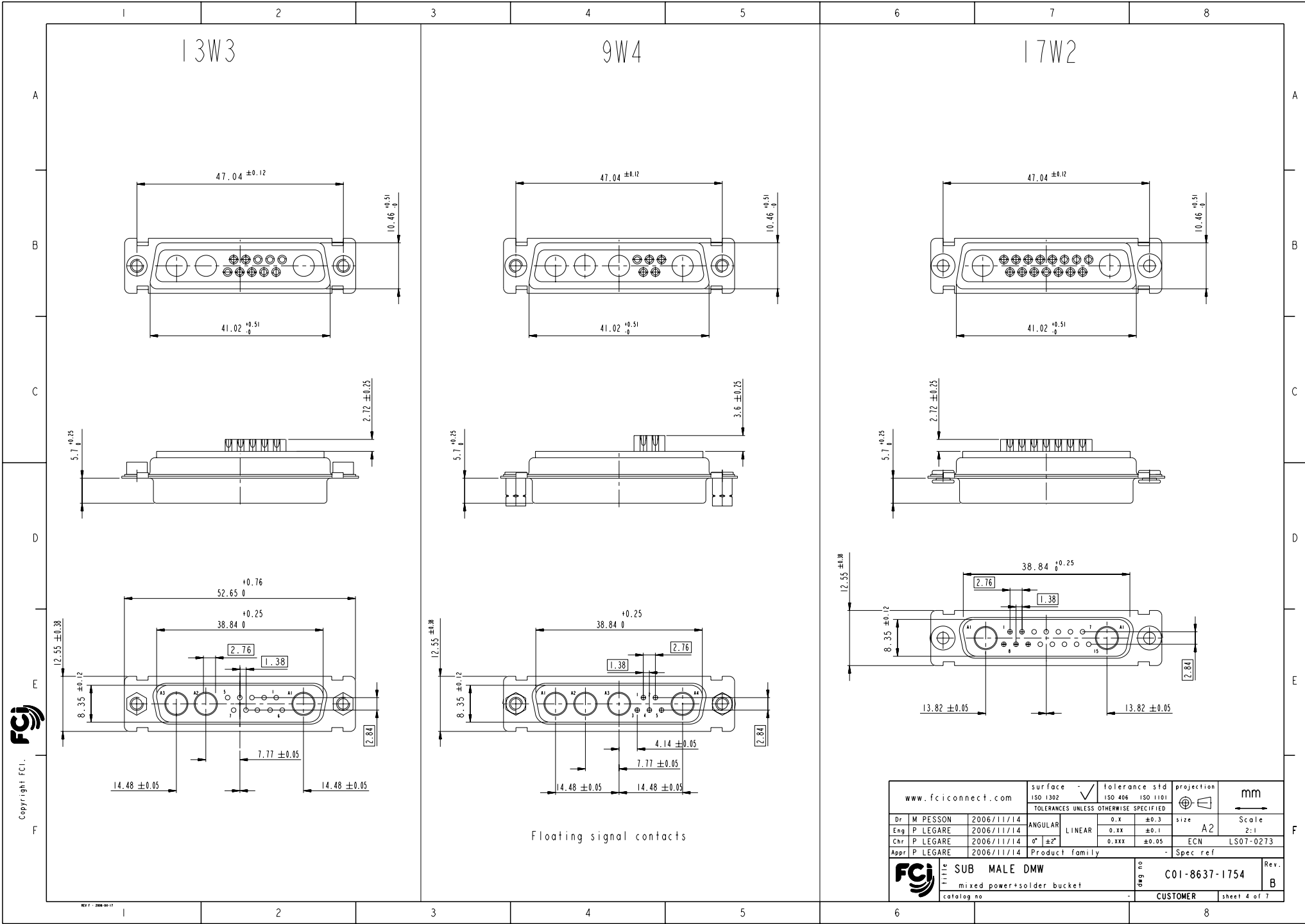


SIDE VIEW FOR LAYOUTS: E A B C



Copyright FCI.

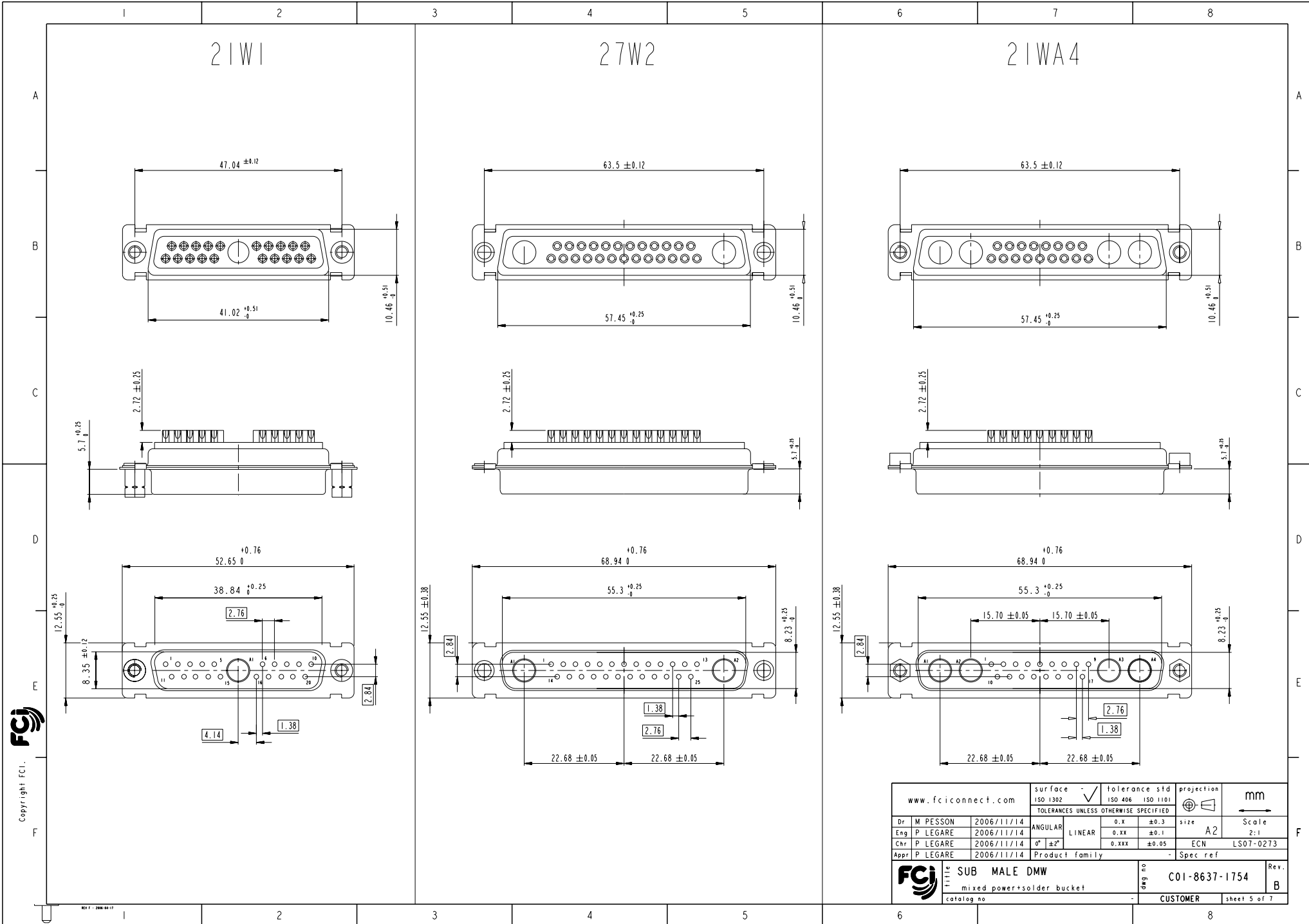
www.fciconnect.com		surface ISO 1302	tolerance std ISO 406 ISO 1101	projection ISO 1101	mm
		TOLERANCES UNLESS OTHERWISE SPECIFIED			
Dr	M PESSON	2006/11/14	ANGULAR	0.X ±0.3	size A2 Scale 2:1
Eng	P LEGARE	2006/11/14	LINEAR	0.XX ±0.1	
Chr	P LEGARE	2006/11/14	0° ±2°	0.XXX ±0.05	ECN LS07-0273
Appr	P LEGARE	2006/11/14	Product family	-	Spec ref
<b>TITLE</b> SUB MALE DMW mixed power+solder bucket catalog no		<b>dwg no</b> C01-8637-1754		<b>Rev.</b> B	
CUSTOMER			sheet 3 of 7		



Copyright FCJ

Floating signal contacts

www.fciconnect.com		surface ISO 1302	tolerance std ISO 406 ISO 1101	projection mm
		TOLERANCES UNLESS OTHERWISE SPECIFIED		
Dr M PESSON	2006/11/14	ANGULAR	0.X ±0.3	size A2 Scale 2:1
Eng P LEGARE	2006/11/14	LINEAR	0.XX ±0.1	ECN LS07-0273
Chr P LEGARE	2006/11/14	0° ±2°	0.XXX ±0.05	Spec ref
Appr P LEGARE	2006/11/14	Product family		
<b>TITRE</b> SUB MALE DMW mixed power+solder bucket catalog no		ang no C01-8637-1754	Rev. B	sheet 4 of 7

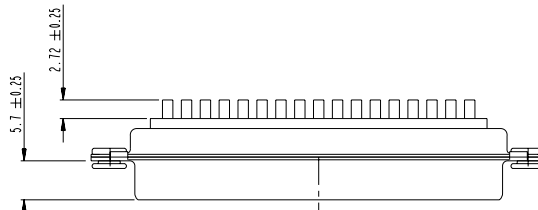
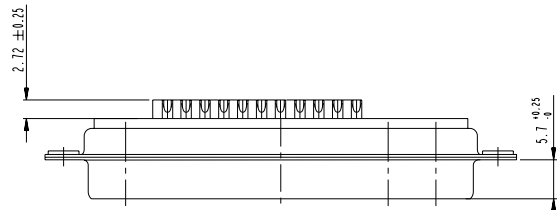
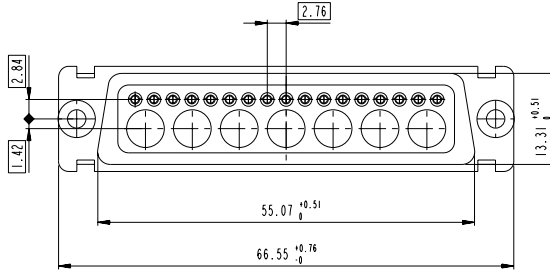
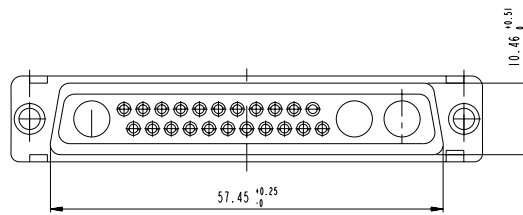


Copyright FCI.

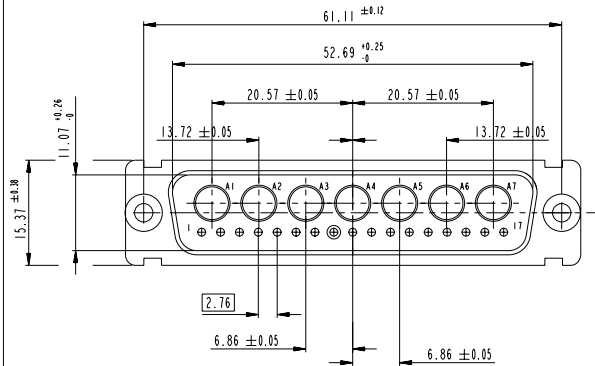
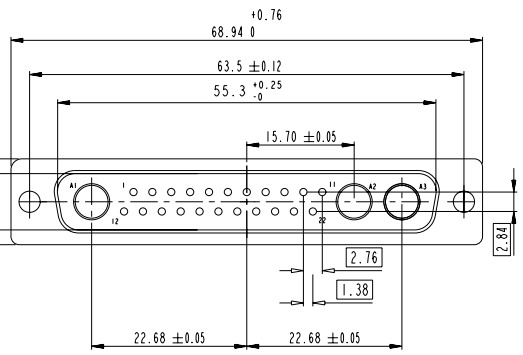
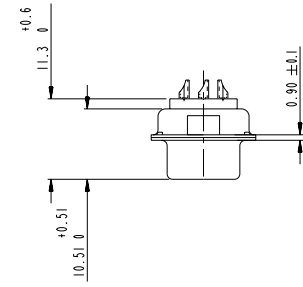
www.fciconnect.com		surface ISO 1302	tolerance std ISO 406 ISO 1101	projection mm
		TOLERANCES UNLESS OTHERWISE SPECIFIED		
Dr	M PESSON	2006/11/14	0.X ±0.3	size A2
Eng	P LEGARE	2006/11/14	0.XX ±0.1	Scale 2:1
Chr	P LEGARE	2006/11/14	0.XXX ±0.05	ECN LS07-0273
Appr	P LEGARE	2006/11/14	Product family	Spec ref
<b>SUB MALE DMW</b> mixed power+solder bucket catalog no		<b>SUB MALE DMW</b> mixed power+solder bucket catalog no	drg no <b>C01-8637-1754</b>	Rev. <b>B</b>
CUSTOMER			sheet 5 of 7	

25W3

24W7

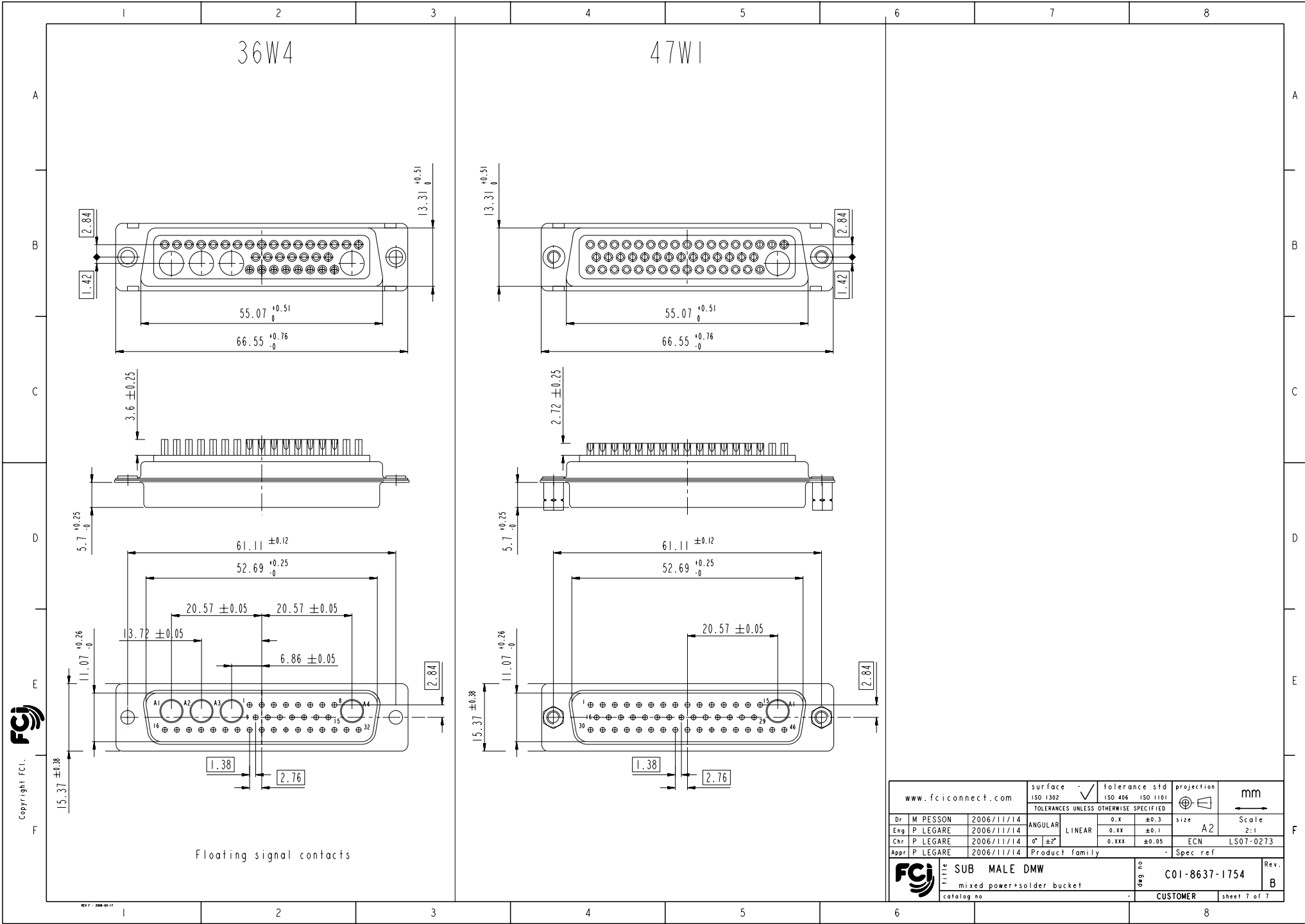


SIDE VIEW FOR LAYOUT: D



Copyright FCI

www.fciconnect.com		surface ISO 1302	tolerance std ISO 406 ISO 1101	projection mm
		TOLERANCES UNLESS OTHERWISE SPECIFIED		
Dr M PESSON	2006/11/14	ANGULAR	0.X ±0.3	size A2 Scale 2:1
Eng P LEGARE	2006/11/14	LINEAR	0.XX ±0.1	ECN LS07-0273
Chr P LEGARE	2006/11/14	0° ±2°	0.XXX ±0.05	Spec ref
Appr P LEGARE	2006/11/14	Product family		
FCI SUB MALE DMW		title	001-8637-1754	Rev. B
mixed power+solder bucket		cat no	CUSTOMER	sheet 6 of 7



Copyright FCI.

www.fciconnect.com		surface	ISO 1302	tolerance std	ISO 406	ISO 1101	projection	mm
		TOLERANCES UNLESS OTHERWISE SPECIFIED						
Dr	M PESSON	2006/11/14	ANGULAR	0.X	±0.3	size	A2	Scale
Eng	P LEGARE	2006/11/14	LINEAR	0.XX	±0.1	ECN	LS07-0273	2:1
Chr	P LEGARE	2006/11/14	0° ±2°	0.XXX	±0.05	Product family	-	Spec.ref
Appr	P LEGARE	2006/11/14						
FCI		SUB MALE DMW		mixed power+solder bucket		cat no	C01-8637-1754	Rev.
								B
						CUSTOMER	sheet 7 of 7	