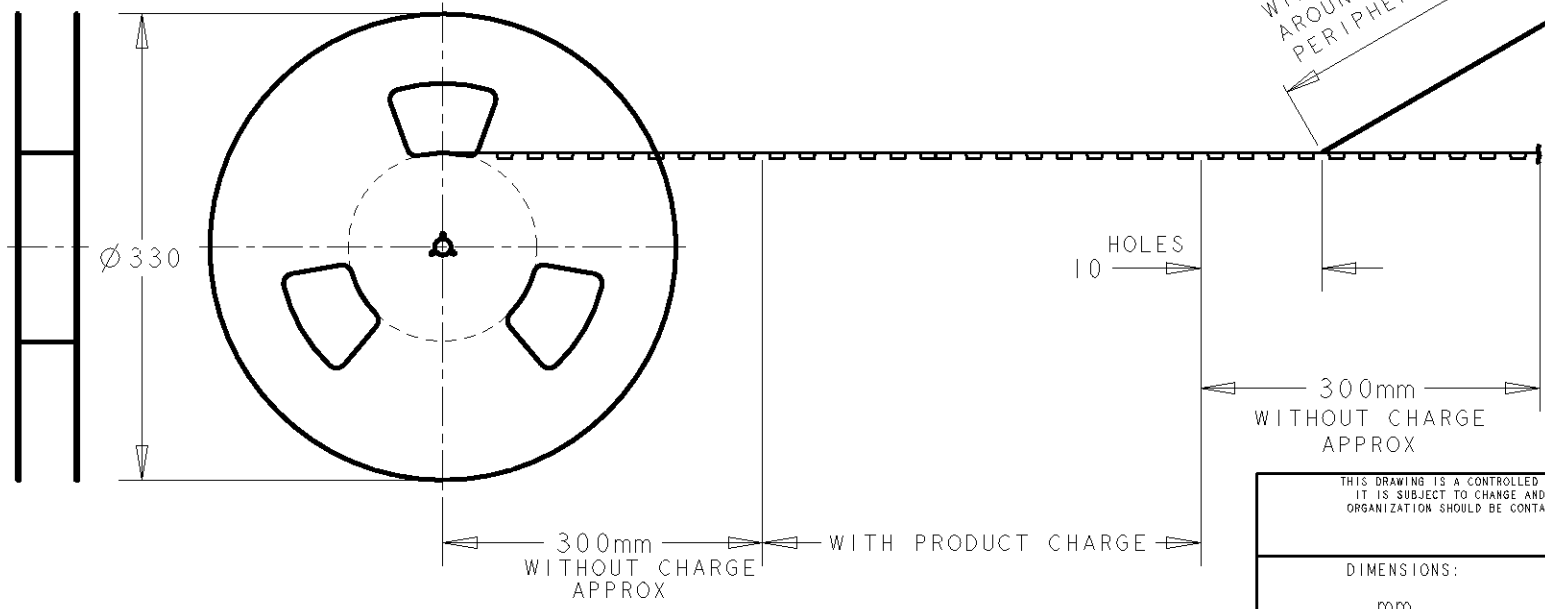
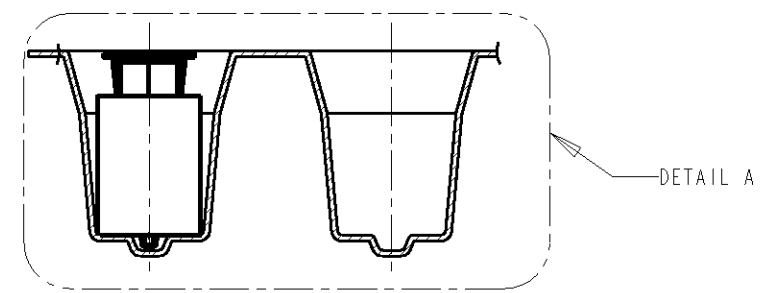
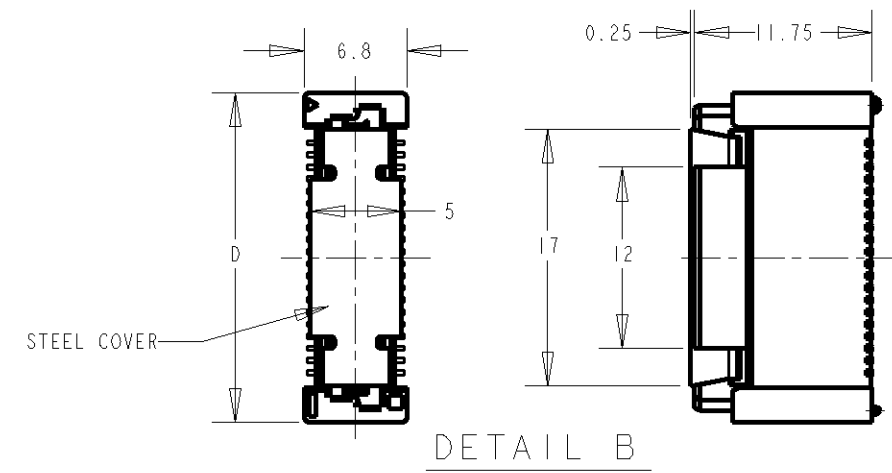
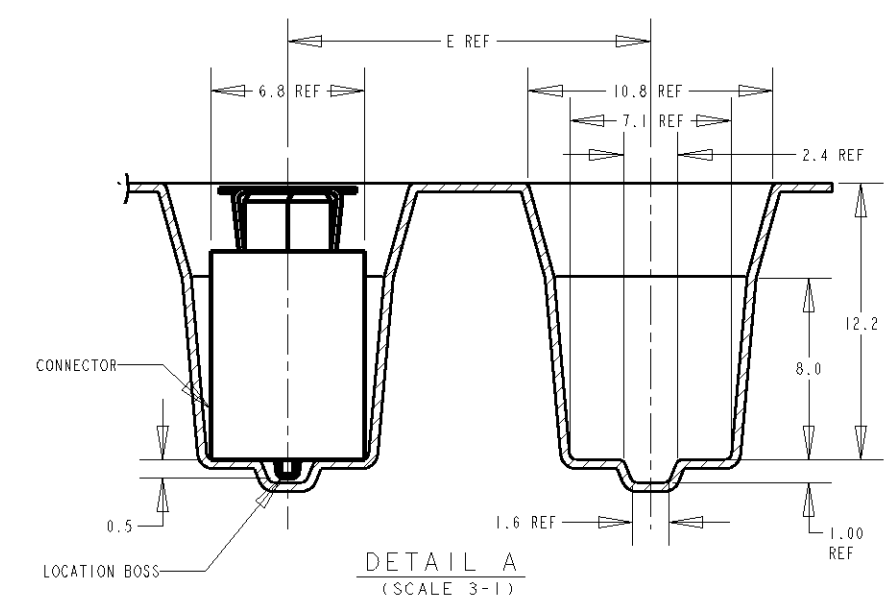
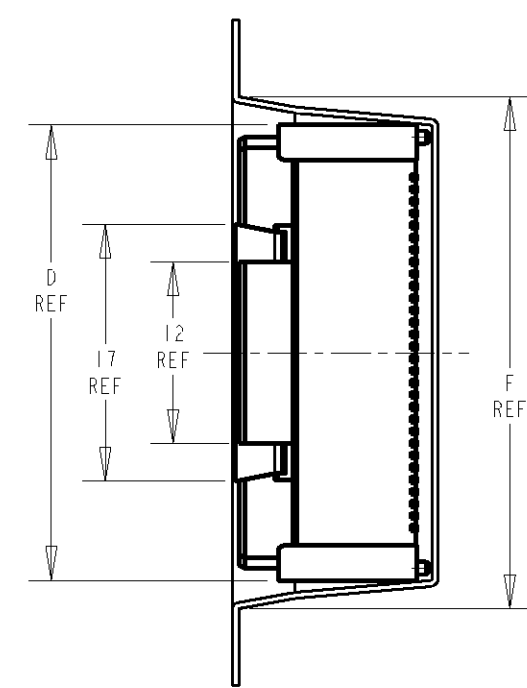
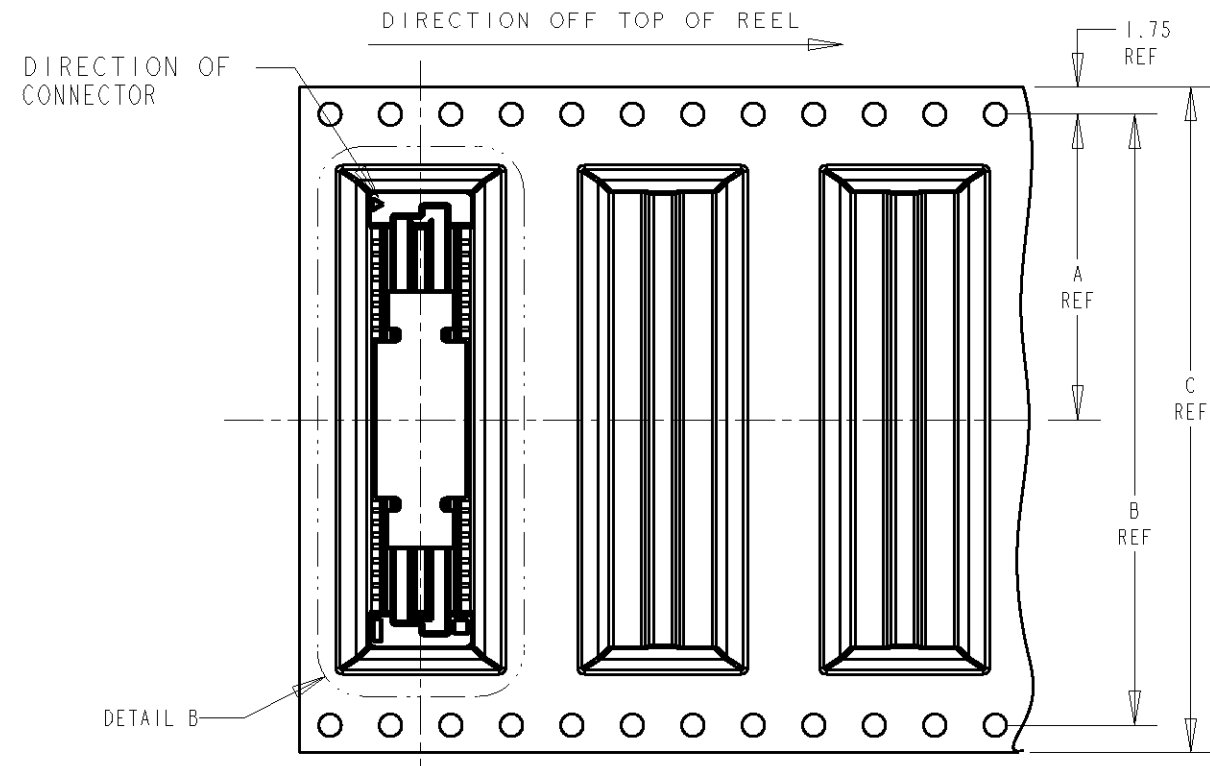


THIS DRAWING IS UNPUBLISHED. RELEASED FOR PUBLICATION .19
 © COPYRIGHT 19 BY AMP INCORPORATED. ALL RIGHTS RESERVED.

LOC	DIST	REVISIONS			
P	LTR	DESCRIPTION	DATE	DWN	APVD
DY	-	0 NPR FP00-0227-04	16SEP04	FTAN	LSF



REMARKS	QTY	F	E	D	C	B	A	CONNECTOR P/N	POS	PART NO.
AVAILABLE	200	81.8	16	77.8	104	100.4	50.2	5-6123212-9	180	0-5084618-9
	200	73.8	16	69.8	88	84.4	42.2	5-6123212-8	160	0-5084618-8
	200	65.8	16	61.8	88	84.4	42.2	5-6123212-6	140	0-5084618-6
	200	57.8	16	53.8	72	68.4	34.2	5-6123212-5	120	0-5084618-5
	200	49.8	16	45.8	72	68.4	34.2	5-6123212-4	100	0-5084618-4
	200	41.8	16	37.8	56	52.4	26.2	5-6123212-3	80	0-5084618-3
	200	33.8	16	29.8	44	40.4	20.2	5-6123212-2	60	0-5084618-2
	200	25.8	16	21.8	44	40.4	20.2	5-6123212-1	40	0-5084618-1

<small>THIS DRAWING IS A CONTROLLED DOCUMENT FOR AMP INCORPORATED. IT IS SUBJECT TO CHANGE AND THE CONTROLLING ENGINEERING ORGANIZATION SHOULD BE CONTACTED FOR THE LATEST REVISION.</small>		DWN 16SEP04 FLORENCE TAN CHK ERIC TNG APVD SF L FONG PRODUCT SPEC 108-5390 APPLICATION SPEC 114-5254 WEIGHT -	tyco Tyco Electronics Electronics (Singapore) Pte. Ltd. NAME RECEPTACLE ASS'Y 13H TYPE 30Au (0.5 BOSS LENGTH) FOR FH 0.8mm B-T-B CONN. ON TAPING SIZE A3 CAGE CODE 00779 DRAWING NO C-5084618 SCALE 2:1 SHEET 1 OF 1 REV 0
DIMENSIONS: mm 	TOLERANCES UNLESS OTHERWISE SPECIFIED: 0 PLC ± 1 PLC ±0.20 2 PLC ±0.25 3 PLC ± 4 PLC ± ANGLES ± MATERIAL - FINISH -	CUSTOMER DRAWING	