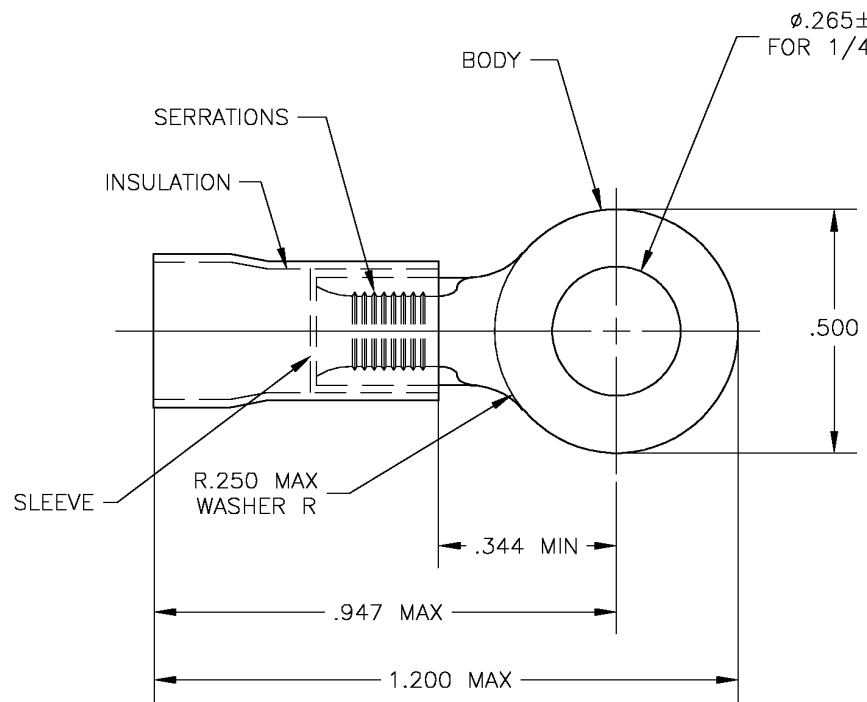


THIS DRAWING IS UNPUBLISHED. RELEASED FOR PUBLICATION
 © COPYRIGHT - BY TYCO ELECTRONICS CORPORATION. ALL RIGHTS RESERVED.

LOC	DIST	REVISIONS			
P	LTR	DESCRIPTION	DATE	DWN	APVD
G	14	K	REV PER 0G3A-0747-03	20NOV03	JR MS



- 1 FOR .150 TO .215 WIRE INSULATION DIA.
- 2 TONGUE THICKNESS IS .049±.002.
- 3 REPLACED BY 35628

OBSOLETE 2-35628-1 	BODY: COPPER PER ASTM B-152 ANNEALED TIN PLATE PER ASTM B-545 INSULATION: PVC, COLOR-YELLOW SLEEVE: COPPER PER ASTM B-152 ANNEALED	35628-0
	P/N ON TAPE	MATERIAL & FINISH

THIS DRAWING IS A CONTROLLED DOCUMENT.		DWN	JR RUTH	20NOV03	Tyco Electronics Corporation Harrisburg, PA 17105
DIMENSIONS: INCHES		CHK	MJ SPICER	20NOV03	
		APVD	MJ SPICER	20NOV03	NAME
TOLERANCES UNLESS OTHERWISE SPECIFIED:		PRODUCT SPEC		PLASTI-GRIP, RING TONGUE, WIRE SIZE: 16-14HD	
0 PLC ± -		APPLICATION SPEC		SIZE	
1 PLC ± -		WEIGHT		CAGE CODE	
2 PLC ± -		CUSTOMER DRAWING		DRAWING NO	
3 PLC ± .008		SCALE		RESTRICTED TO	
4 PLC ± - ± 1'		4:1		A3 00779 C=35628	
MATERIAL		SHEET		1 OF 1	
FINISH		REV		K	