

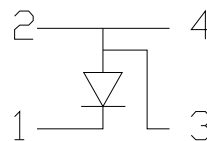
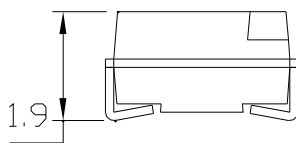
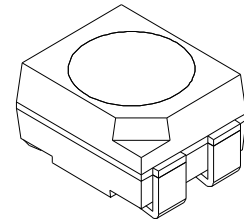
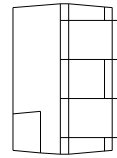
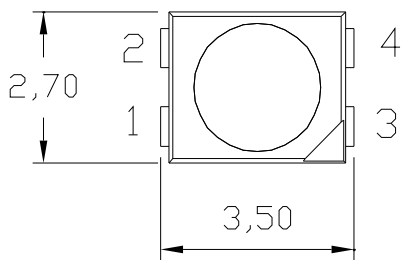
Features:

- Package: white PLCC-4 package
- Small package with high efficiency
- Color coordinates: $x=0.33, y=0.33$ according to CIE 1931
- Thermal resistance: 80K/W
- ESD protection, 2KV HBM
- Soldering methods: SMT

Applications:

- Interior automotive lighting
- Backlighting
- Reading lamp
- Decorative and entertainment lighting

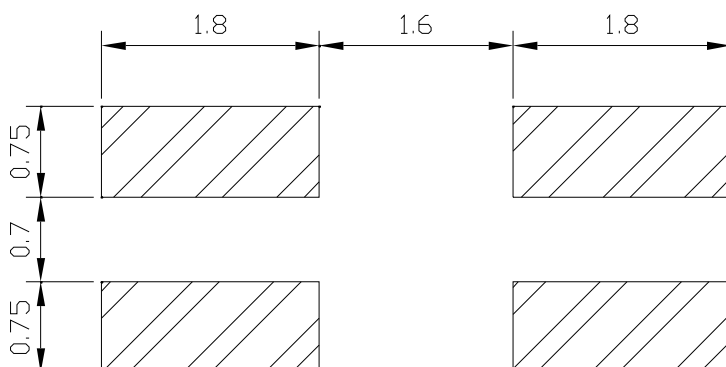
1. Mechanical Dimensions



Notes:

1. Unit: mm
2. Drawings are not to scale.
3. All dimensions are in millimeter.
4. General tolerance is 0.2mm.

Recommended Solder Pad



Notes:

1. Unit: mm
2. Drawings are not to scale.
3. All dimensions are in millimeter.
4. General tolerance is 0.1mm.

2. Absolute Maximum Ratings

Parameter	White series
	Value
DC Forward Current (mA)	150
Peak Pulse Current (mA)	180
LED Junction Temperature	125°C
LED Operating Temperature	-40 °C~110°C
Storage Temperature	-40°C ~120°C
Soldering Temperature	Max 260°C
ESD Sensitivity	2000V HBM
Reverse Voltage	Not design to be driven in reverse bias
	($V_R \leq 5V$)

3. General Characteristics at 150mA

3.1 Luminous Flux at 150mA, $T_a=25^\circ\text{C}$

Color	Part Number	Luminous Flux(lm)		Light Pattern
		Minimum	Typical	
Daylight	VAOS -SP4W4	20	25	Lambertian

Notes:

1. Luminous flux measurement accuracy is 10%

3.2 Optical Characteristics at 150mA, $T_a=25^\circ\text{C}$

Light Pattern	Color	Correlated Color Temperature CCT			Spectral Half-width (nm)	Temperature Coefficient of λ_d (nm/ $^\circ\text{C}$)	Viewing Angle Degree
		Dominant Wavelength λ_d or Peak Wavelength λ_p					
		Min.	Typ.	Max.	$\Delta\lambda_{1/2}$	$\Delta\lambda_d/\Delta T_j$	$2\theta_{1/2}$
Lambertian	Daylight	5000 K	6300 K	7000 K	--	--	120

Notes:

1. CCT measurement accuracy of 200K.

3.3 Electrical Characteristics at 150mA, $T_a=25^\circ\text{C}$

Light Pattern	Color	Forward Voltage V_F (V)			Temperature Coefficient of V_F (mV/ $^\circ\text{C}$)	Thermal Resistance Junction to lead ($^\circ\text{C/W}$) $R\theta_{J-L}$
		Min.	Typ.	Max.		
Lambertian	Daylight		3.5	3.8	-3	

Notes:

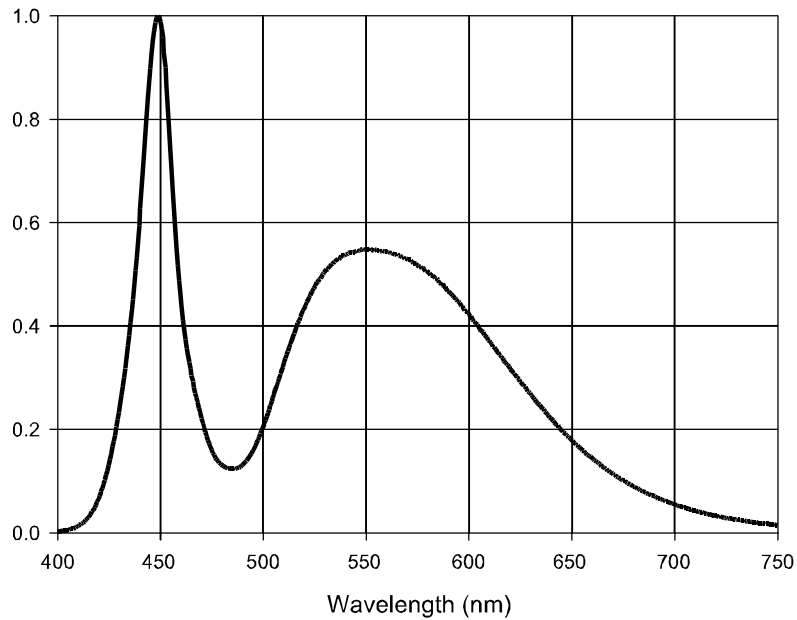
1. V_f measurement accuracy of 0.1V.

Specific binning requirements- please contact our home office

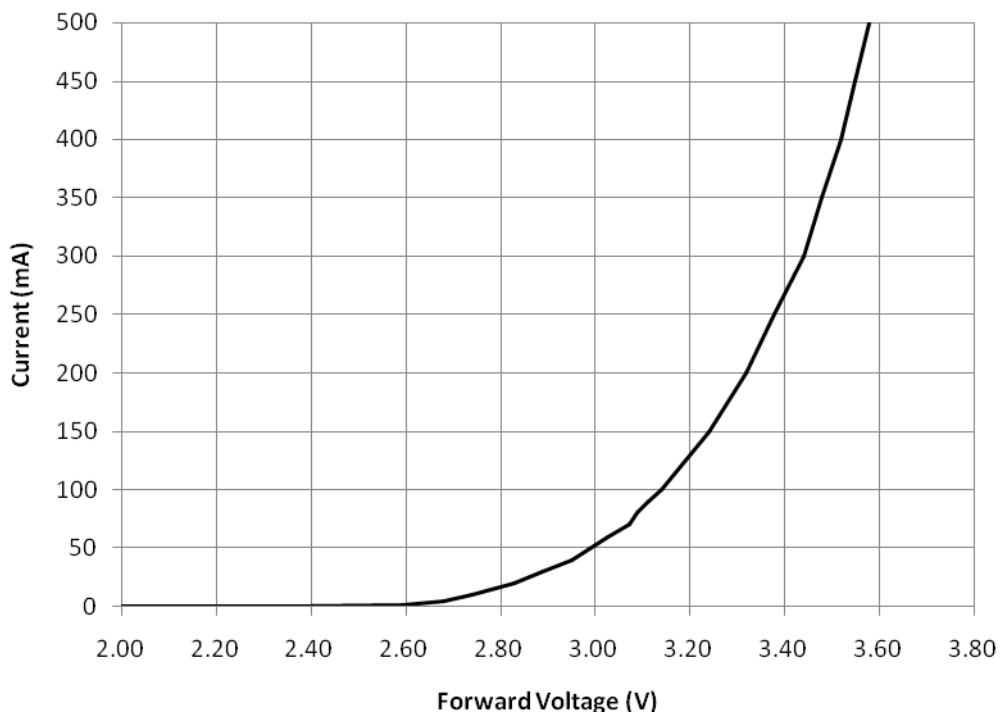


4. Wavelength Spectrum, $T_a=25^\circ\text{C}$

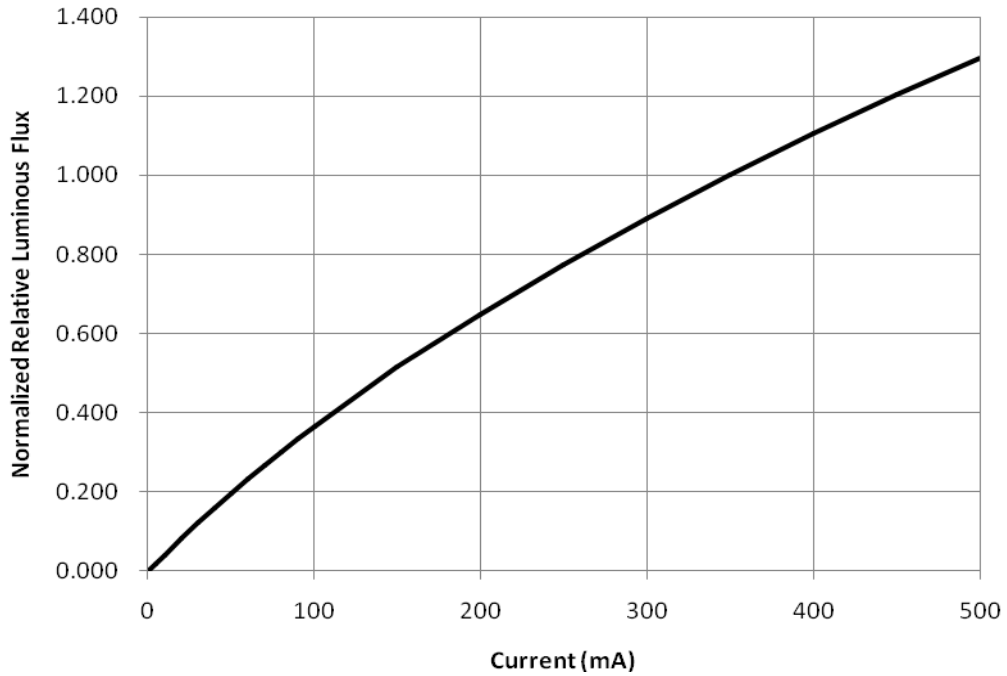
4.1 Daylight



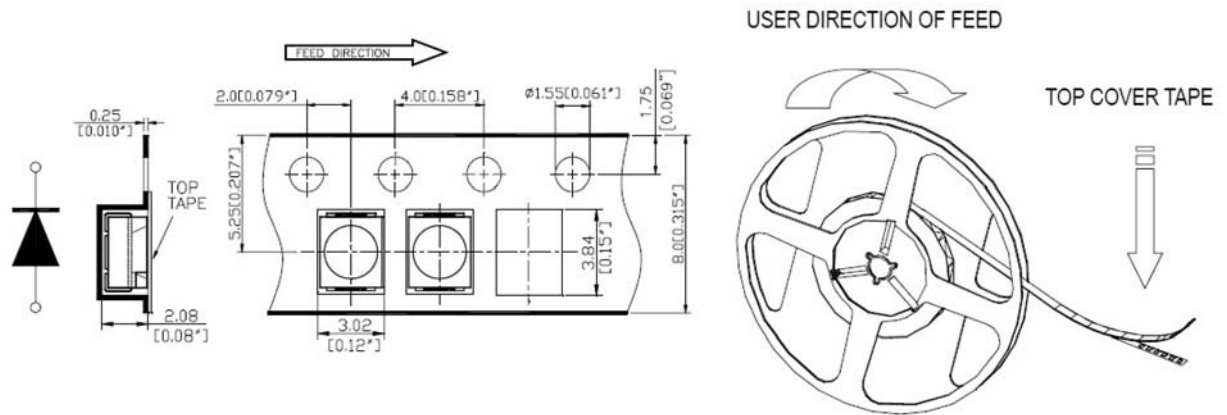
5. Forward I-V Characteristics



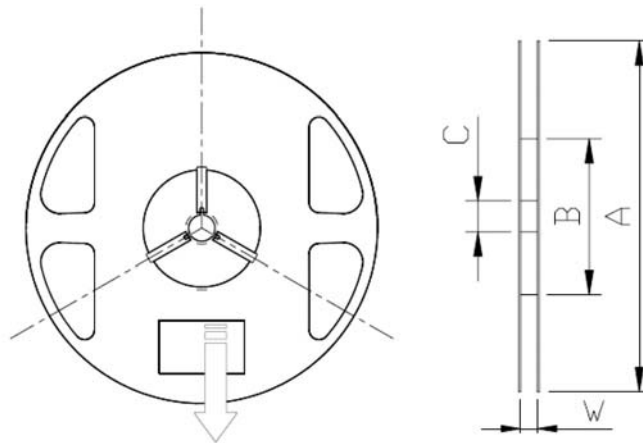
6. Forward L-I Characteristics



7 Packing Information



Dimensions per ANSI/EIA Standard RS-481 All dimensions are in Millimeters (inches).	
A	180[7.09]
B	60[2.36]
C	13.5[0.53]
W	8.4[0.33]
Thickness of top cover tape 0.1[0.004"] MAX	



1. The cathodes is oriented towards the tape sprocket hole in accordance with ANSI/EIA RS-481 specifications.
2. 2000pcs/Reel