

4

3

2

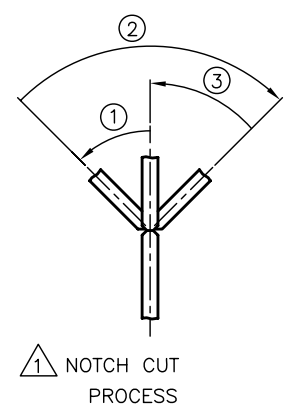
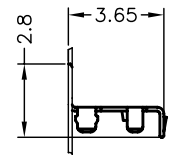
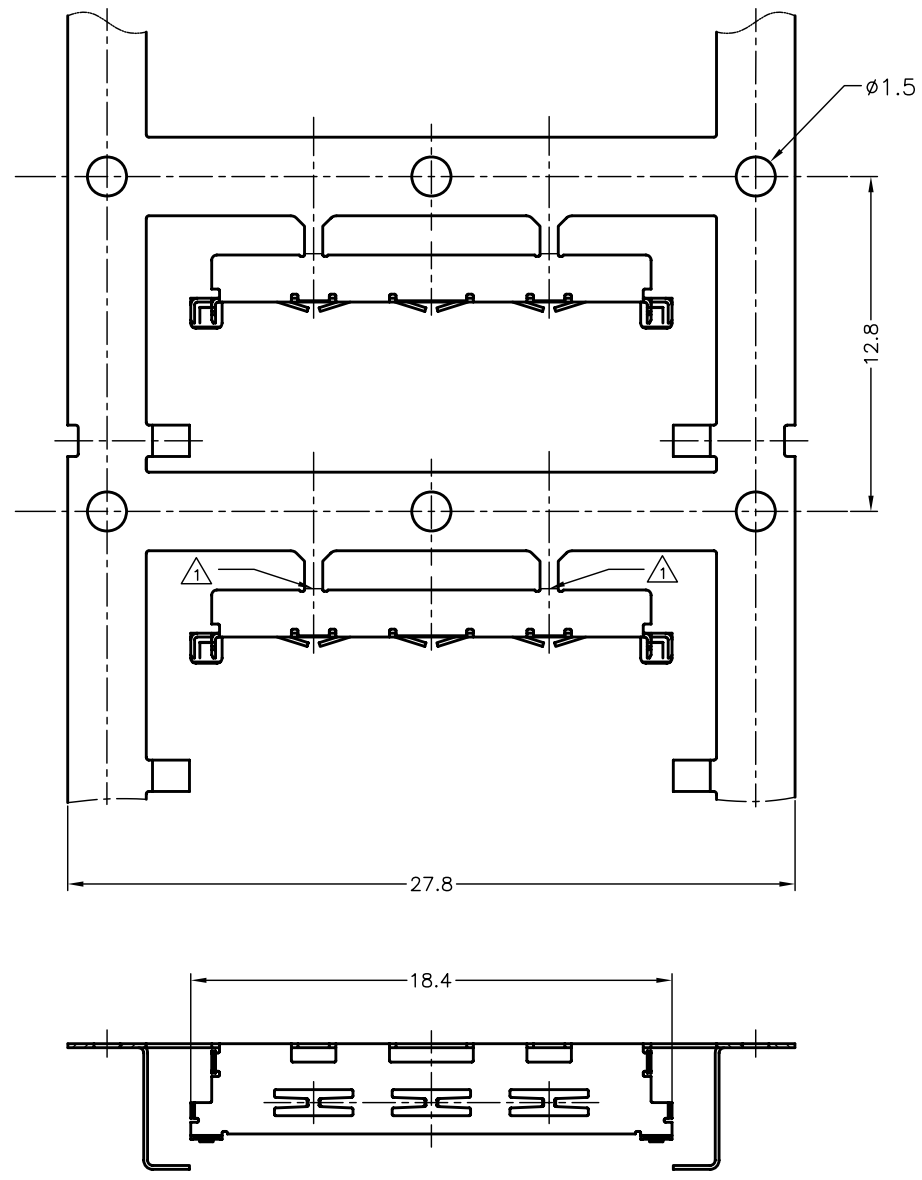
1

THIS DRAWING IS UNPUBLISHED. RELEASED FOR PUBLICATION
 © COPYRIGHT BY TYCO ELECTRONICS CORPORATION. ALL RIGHTS RESERVED.

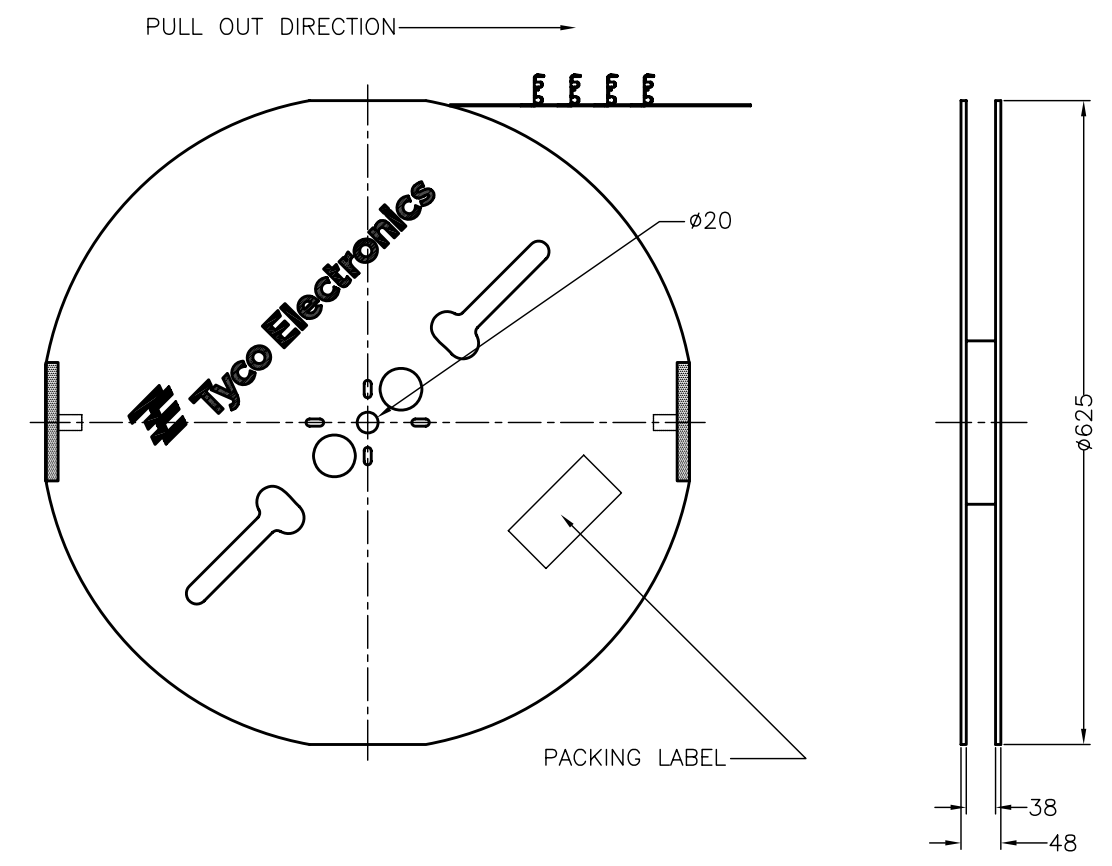
LOC		DIST		REVISIONS			
P	LTR	DESCRIPTION		DATE	DWN	APVD	
	B	REVISED (ECR-09-003087)		10FEB08	P.H	H.K	

2023352-1: AS SHOWN

NOTES
 1. NOTCH SHOULD BE CUT OFF WITHIN 3 PROCESS
 2. QUANTITY: 4000 PCS/REEL



⚠ NOTCH CUT PROCESS



ITEM	NAME	MATERIAL	FINISH/COLOR
①	LOWER SHELL	COPPER ALLOY	NI UNDER PL 0.0013mm MIN.ALL OVER TIN 0.002~0.005mm PL OVER UNDER NI PL

THIS DRAWING IS A CONTROLLED DOCUMENT.		DWN P.HSU 25NOV08	Tyco Electronics Corporation Taipi, Taiwan																					
DIMENSIONS: INCHES		CHK C.WAYDE 25NOV08	Tyco Electronics																					
TOLERANCES UNLESS OTHERWISE SPECIFIED:		APVD H.KODAMA 25NOV08	NAME																					
<table border="1"> <tr><td>0 PLC</td><td>±</td><td>±0.2</td></tr> <tr><td>1 PLC</td><td>-</td><td>±2</td></tr> <tr><td>2 PLC</td><td>±</td><td>±2</td></tr> <tr><td>3 PLC</td><td>±</td><td>±</td></tr> <tr><td>4 PLC</td><td>±</td><td>±</td></tr> <tr><td>ANGLES</td><td>±</td><td>±</td></tr> <tr><td>FINISH</td><td></td><td></td></tr> </table>		0 PLC	±	±0.2	1 PLC	-	±2	2 PLC	±	±2	3 PLC	±	±	4 PLC	±	±	ANGLES	±	±	FINISH			PRODUCT SPEC	
0 PLC	±	±0.2																						
1 PLC	-	±2																						
2 PLC	±	±2																						
3 PLC	±	±																						
4 PLC	±	±																						
ANGLES	±	±																						
FINISH																								
MATERIAL		APPLICATION SPEC																						
WEIGHT		SIZE CAGE CODE DRAWING NO																						
CUSTOMER DRAWING		A2 00779 2023352																						
SCALE 5:1		RESTRICTED TO																						
SHEET 1 of 1		REV B																						

2023352