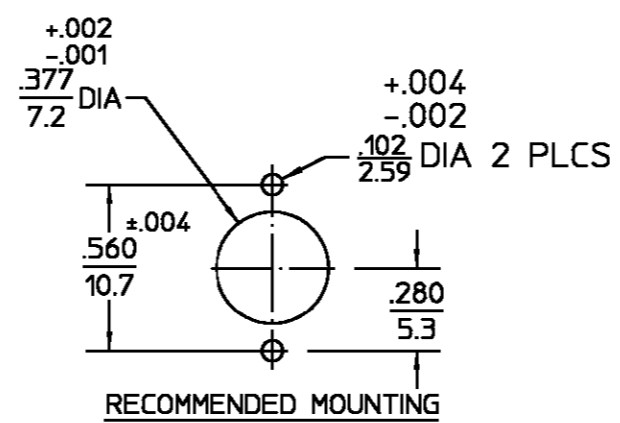


REVISIONS			
REV	DESCRIPTION	DATE	APPROVED
01 ₀	RELEASED		PCV 11/2/95



DESIGNED FOR USE WITH .085 DIA SEMI-RIGID CABLE CABLE ENTRY DIAMETER MINIMUM	
HOUSING	.089
CONTACT	.021

DESIGN CONTROL REQUIRE

ELECTRICAL	MECHANICAL	ENVIRONMENTAL
Nominal Impedance (Ohms) 50	Interface Dimensions DESC SPEC 85071	Temperature Rating -65° to +125°C
Frequency Range (GHz) DC to 22	Mating Characteristics:	Vibration MIL-STD-202, Method 204, Condition D
Volt Rating (VRMS MAX) @ Sea Level 450	Insertion (MAX Lbs) 3	Shock MIL-STD-202, Method 213, Condition I
VSWR 1.05+.005f(GHz) DC to 18 GHz 1.05+.009f(GHz) 18 to 22 GHz	Withdrawal (MIN Oz) 1	Thermal Shock MIL-STD-202, Method 107, Condition B
Insertion Loss (dB MAX) .03x√f(GHz)	Force to Engage (In-Lbs MAX) 3 & Disengage (In-Lbs MAX) 1.5	Moisture Resistance MIL-STD-202, Method 106
RF Leakage (dB MIN) (Interface Only, Fully Mated) -(90-f(GHz))	Center Contact Captivation Axial (Lbs) 6	Corrosion - MIL-STD-202, Method 101, Condition B, 5% Salt Spray
Corona, 70,000 Ft (VRMS MIN) 335	Cable Retention Axial Force (Lbs MIN) 30	
Dielectric Withstanding Voltage (VRMS MIN) @ Sea Level 1000	Torque (In-Oz MIN) 16	
Contact Resistance (Milliohms MAX)	Weight (Grams) 5.4	
Center Contact 2.0		
Outer Contact 2.0		
Cable to Housing 0.5		
RF High Potential @ Sea Level (VRMS MIN @ 5 MHz) 670		
I.R.(Megohms MIN) 5000		

INNER HOUSING BUSHING	STAINLESS STEEL PER ASTM-A484 AND ASTM-A582, TYPE 303	GOLD PLATE PER MIL-G-45204
OUTER HOUSING SPRING WASHER	STAINLESS STEEL PER ASTM-A484 AND ASTM-A582, TYPE 303	PASSIVATE PER QQ-P-35
DIELECTRIC	TFE FLUOROCARBON PER ASTM-D-1457	N/A
CENTER CONTACT CONTACT SLEEVE	BERYLLIUM COPPER PER ASTM B 196, ALLOY C17300, CONDITION H	GOLD PLATE PER MIL-G-45204
CONTACT RING SHIM	BERYLLIUM COPPER PER ASTM B 194, ALLOY C17200, CONDITION H	GOLD PLATE PER MIL-G-45204
RETAINING RING SPRING WASHER	BERYLLIUM COPPER PER ASTM B 194, ALLOY C17200, CONDITION H	NICKEL PLATE PER QQ-N-290

COMPONENT	MATERIAL	FINISH								
UNLESS OTHERWISE SPECIFIED DIMENSIONS ARE IN INCHES										
DRAWN BY JANCAR DATE 10/31/95		AMP Incorporated 140 Fourth Avenue Waltham, MA 02451-7599								
CHECKED BY										
APPD BY PCV DATE 11/2/95										
THESE DRAWINGS AND SPECIFICATIONS ARE THE PROPERTY OF M/A COM INTERCONNECT DIV. AND SHALL NOT BE REPRODUCED OR COPIED OR USED IN WHOLE OR IN PART AS THE BASIS FOR THE MANUFACTURE OR SALE OF ITEM(S) WITHOUT WRITTEN PERMISSION.										
USE ASSY PROCEDURE		TITLE OSP FLOATING FLANGE MOUNT CABLE JACK - DIRECT SOLDER ATTACHMENT								
NO. AP. 408-08263 (45-008)		<table border="1"> <tr> <td>SIZE B</td> <td>CODE IDENT NO. 26805</td> <td>4506-5056-02</td> <td>REV 01₀</td> </tr> <tr> <td>SCALE 3:1</td> <td colspan="2"></td> <td>SHEET 1 OF 1</td> </tr> </table>	SIZE B	CODE IDENT NO. 26805	4506-5056-02	REV 01 ₀	SCALE 3:1			SHEET 1 OF 1
SIZE B	CODE IDENT NO. 26805	4506-5056-02	REV 01 ₀							
SCALE 3:1			SHEET 1 OF 1							

.XXX = in
XX.X = mm