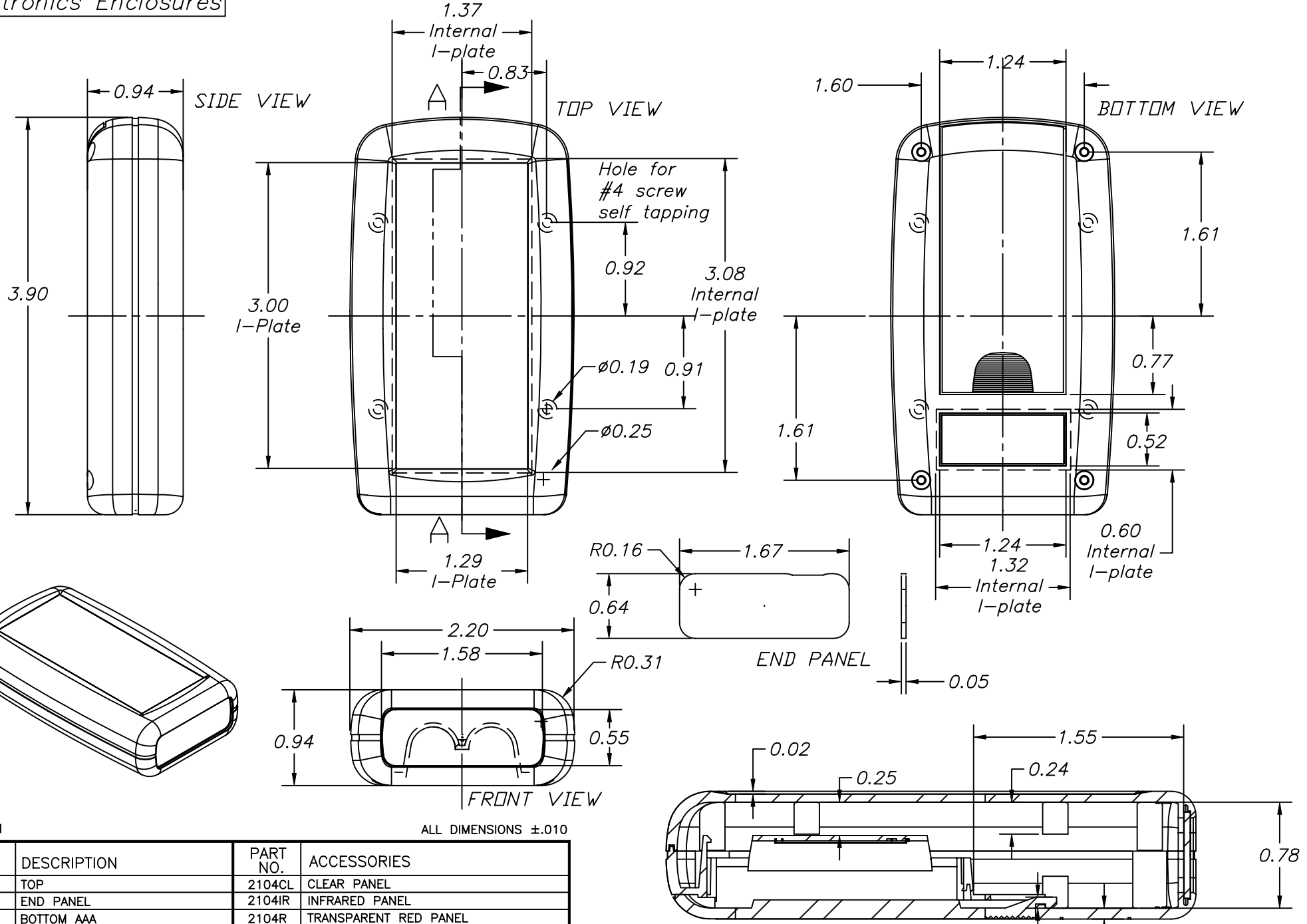


NOTES:
1. WHEN MACHINE OR I PLATES MODIFICATIONS ARE REQUIRED,
USE THE CENTER OF THE ENCLOSURE TO DIMENSION.



5-4-11 ALL DIMENSIONS ± 0.10

PART NO.	DESCRIPTION	PART NO.	ACCESSORIES
1201	TOP	2104CL	CLEAR PANEL
2104	END PANEL	2104IR	INFRARED PANEL
1204	BOTTOM AAA	2104R	TRANSPARENT RED PANEL
6003	SCREW (4)		
71	BATTERY CONTACT (1)		
1205	BATTERY COVER		
76	BATTERY CONTACT (2)		