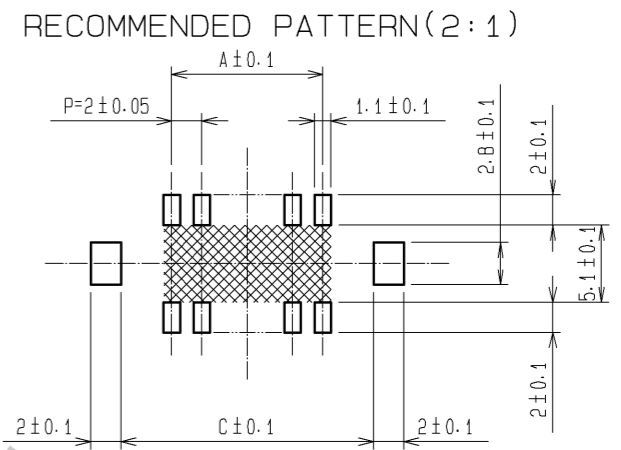
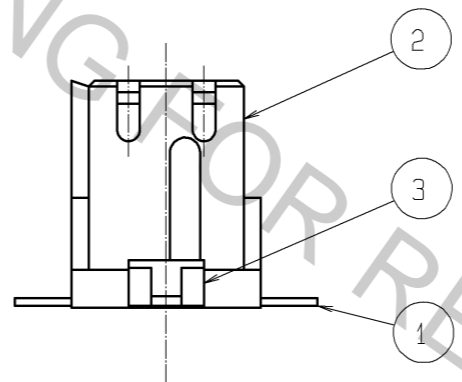


CODE No.	PART No.	NUMBER OF CONTACT	A	B	C
CL0543-2063-0-52	DF11CZ-4DS-2V(52)	4	2.0	8.5	8.7
CL0543-2064-3-52	DF11CZ-6DS-2V(52)	6	4.0	10.5	10.7
CL0543-2065-6-52	DF11CZ-8DS-2V(52)	8	6.0	12.5	12.7
CL0543-2066-9-52	DF11CZ-10DS-2V(52)	10	8.0	14.5	14.7
CL0543-2067-1-52	DF11CZ-12DS-2V(52)	12	10.0	16.5	16.7
CL0543-2068-4-52	DF11CZ-14DS-2V(52)	14	12.0	18.5	18.7
CL0543-2069-7-52	DF11CZ-16DS-2V(52)	16	14.0	20.5	20.7
CL0543-2070-6-52	DF11CZ-18DS-2V(52)	18	16.0	22.5	22.7
CL0543-2071-9-52	DF11CZ-20DS-2V(52)	20	18.0	24.5	24.7
CL0543-2072-1-52	DF11CZ-22DS-2V(52)	22	20.0	26.5	26.7
CL0543-2073-4-52	DF11CZ-24DS-2V(52)	24	22.0	28.5	28.7
CL0543-2074-7-52	DF11CZ-26DS-2V(52)	26	24.0	30.5	30.7
CL0543-2075-0-52	DF11CZ-28DS-2V(52)	28	26.0	32.5	32.7
CL0543-2076-2-52	DF11CZ-30DS-2V(52)	30	28.0	34.5	34.7
CL0543-2078-8-52	DF11CZ-40DS-2V(52)	40	38.0	44.5	44.7

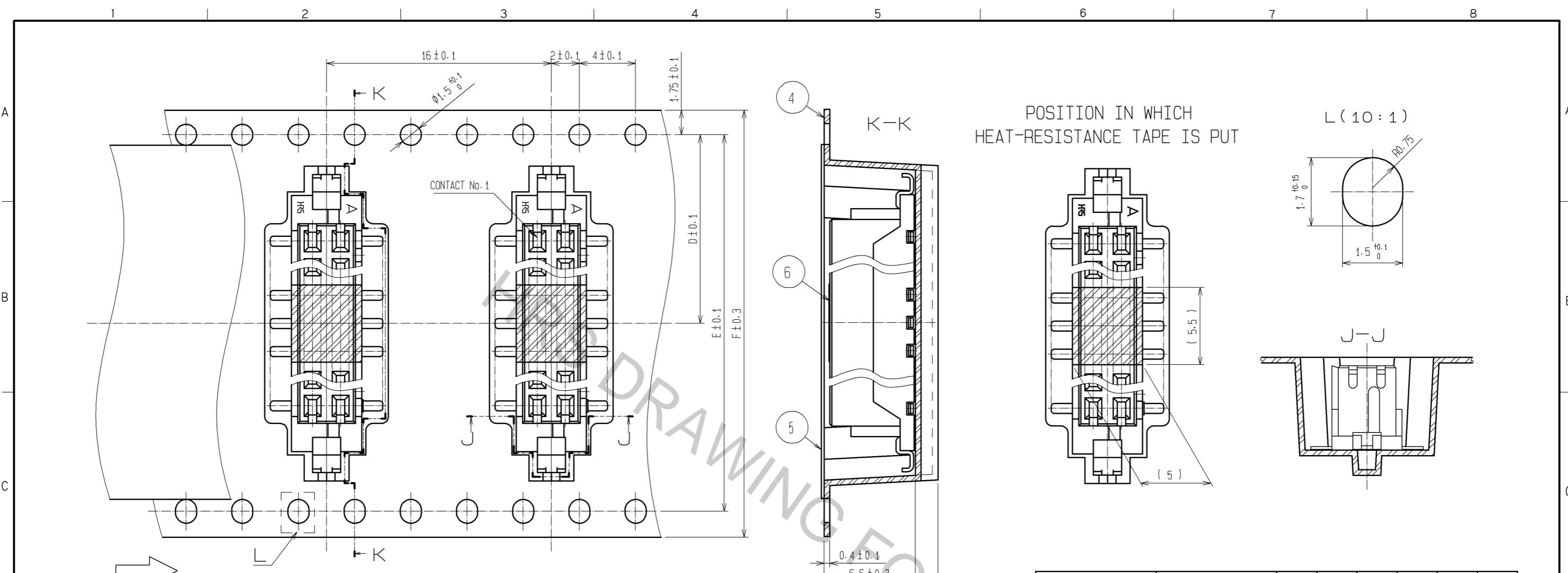


**RECOMMENDED METAL MASK**  
 THICKNESS: 0.15 TO 0.2mm  
 OPENING RATIO: 100%

NOTES ①: IF THERE IS PATTERN ON PART, THERE IS A POSSIBILITY THAT IT WILL MAKE CONTACT WITH THE LEADS.  
 ②: LEAD CO-PLANARITY INCLUDE REINFORCED METAL FITTINGS SHALL BE 0.1mm MAX.

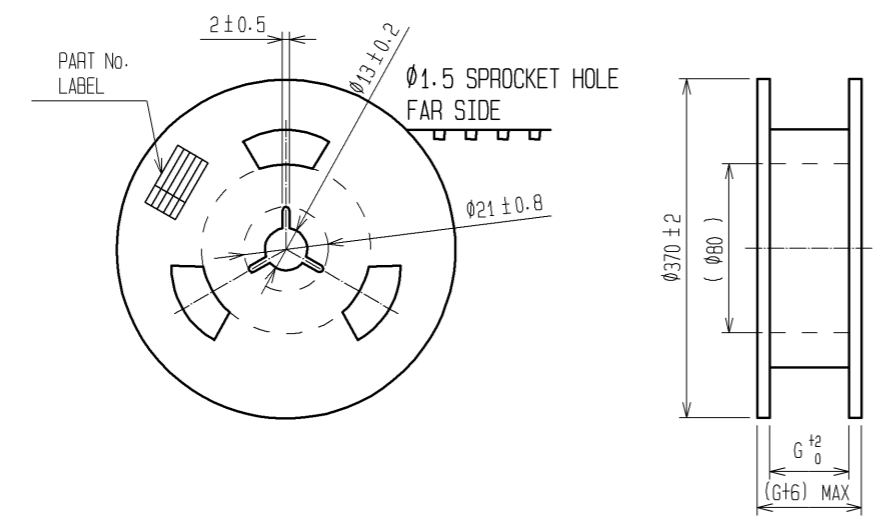
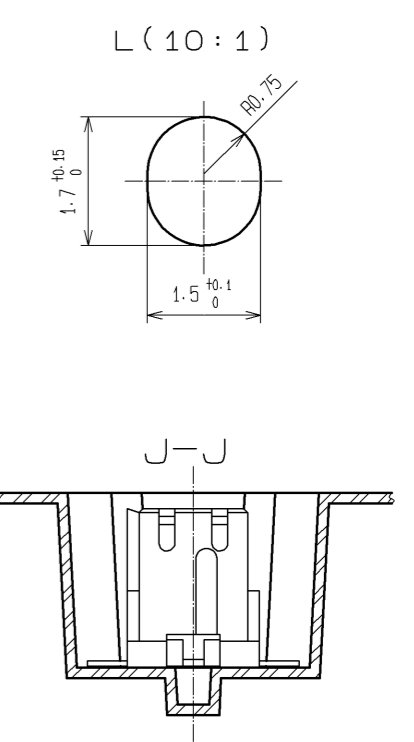
2	POLYAMIDE	UL94V-0, NATURAL (BEIGE)	6	POLYAMIDE	BROWN (HEAT-RESISTANCE TAPE)
1	PHOSPHOR BRONZE	CONTACT AREA : GOLD PLATED 0.2μm min.	5	POLYESTER	CLEAR (COVER TAPE)
		LEAD AREA : TIN PLATED 2μm min.	4	H	CLEAR (EMBOSSED CARRIER TAPE)
		UNDER PLATING: NICKEL PLATED 1μm min.	3	BRASS	TIN PLATED 1μm min.
NO.	MATERIAL	FINISH, REMARKS	NO.	MATERIAL	FINISH, REMARKS

UNITS	SCALE	COUNT	DESCRIPTION OF REVISIONS	DESIGNED	CHECKED	DATE
mm	5 : 1	△				
APPROVED : TS. SAKATA			09.12.16	DRAWING NO. EDC3-328653-00		
CHECKED : TS. FUKUSHIMA			09.12.15	PART NO. DF11CZ-*DS-2V(52)		
DESIGNED : TH. YOSHIZAWA			09.12.15	CODE NO. CL543-		
DRAWN : YK. NAKATSU			09.12.15			



STYLE AND DIMENSION OF REEL

POSITION IN WHICH HEAT-RESISTANCE TAPE IS PUT



- NOTES
- 3 : 1 REEL : 500 CONNECTORS.
  - 4 : AT THE BEGINNING OF THE REEL, 15 COMPONENTS SHALL BE EMPTY.  
AT THE END OF THE REEL, 10 COMPONENTS SHALL BE EMPTY.
  - 5 : DETAIL OF PART No. LABEL IS WRITTEN IN JAPANESE.
  - 6 : THE REEL IS POLYETHYLENE PACKAGED WITH AN DRY AGENT INSIDE FOR MOISTURE-PROOF PACKAGING.
  - 7 : FOR THE STORAGE OF 168 HOURS OR MORE AFTER OPENING THE PACKAGE, KEEP THE PRODUCTS UNDER MOISTURE PROOF CONDITIONS.
  - 8 : EXCEPT ON THE MATING SURFACE, COMPONENT INFLATION DOES NOT AFFECT THE PRODUCTS PERFORMANCE.

SUPPLIER  
QUANTITY  
PART No.  
CODE No.  
DATE OF MANUFACTURED

5 : DETAIL OF PART No. LABEL

生産月日	年 月 日
図番	CL543-****-*-52
品名	DF11CZ-*DS-2V(52)
納入数量	500KO
納入者	ヒロセ電機株式会社

CODE No.	PART No.	NUMBER OF CONTACT	D	E	F	G	H
CL0543-2063-0-52	DF11CZ-4DS-2V(52)	4	11.5	-	24	24.4	PS
CL0543-2064-3-52	DF11CZ-6DS-2V(52)	6	11.5	-	24	24.4	PS
CL0543-2065-6-52	DF11CZ-8DS-2V(52)	8	11.5	-	24	24.4	PS
CL0543-2066-9-52	DF11CZ-10DS-2V(52)	10	14.2	28.4	32	32.4	PS
CL0543-2067-1-52	DF11CZ-12DS-2V(52)	12	14.2	28.4	32	32.4	PS
CL0543-2068-4-52	DF11CZ-14DS-2V(52)	14	20.2	40.4	44	44.4	PS
CL0543-2069-7-52	DF11CZ-16DS-2V(52)	16	20.2	40.4	44	44.4	PS
CL0543-2070-6-52	DF11CZ-18DS-2V(52)	18	20.2	40.4	44	44.4	PS
CL0543-2071-9-52	DF11CZ-20DS-2V(52)	20	26.2	52.4	56	56.4	PS
CL0543-2072-1-52	DF11CZ-22DS-2V(52)	22	20.2	40.4	44	44.4	PS
CL0543-2073-4-52	DF11CZ-24DS-2V(52)	24	26.2	52.4	56	56.4	A-PET
CL0543-2074-7-52	DF11CZ-26DS-2V(52)	26	26.2	52.4	56	56.4	PS
CL0543-2075-0-52	DF11CZ-28DS-2V(52)	28	26.2	52.4	56	56.4	PS
CL0543-2076-2-52	DF11CZ-30DS-2V(52)	30	26.2	52.4	56	56.4	PS
CL0543-2078-8-52	DF11CZ-40DS-2V(52)	40	34.2	68.4	72	72.4	PS

<b>HRS</b>	DRAWING NO.	EDC3-328653-00
	PART NO.	DF11CZ-*DS-2V(52)
	CODE NO.	CL543-