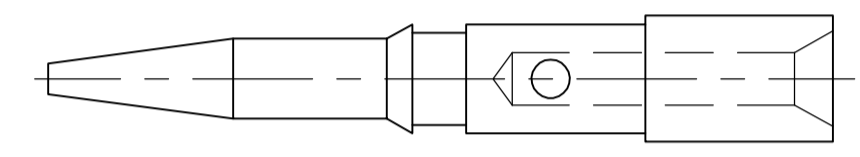
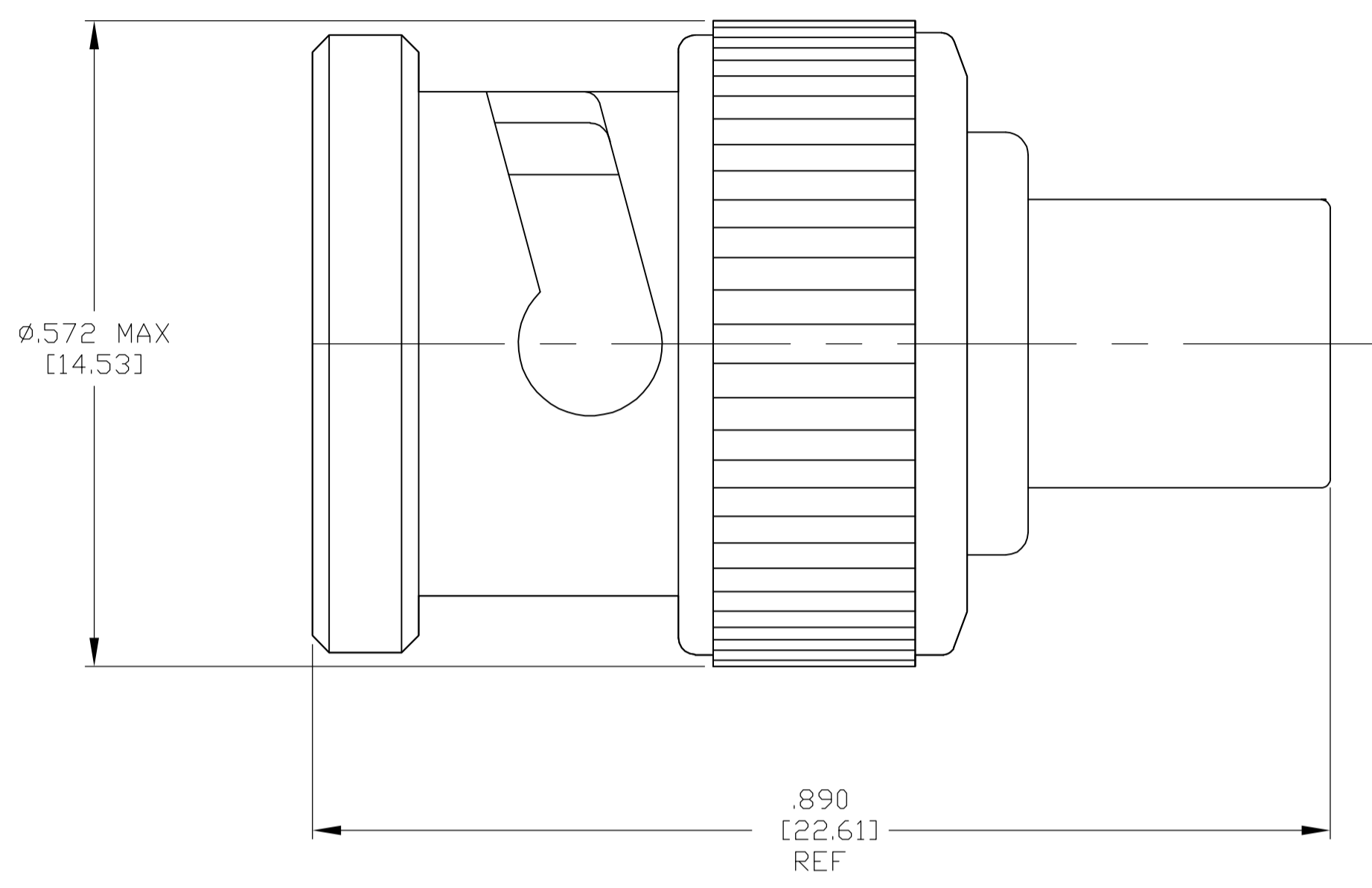
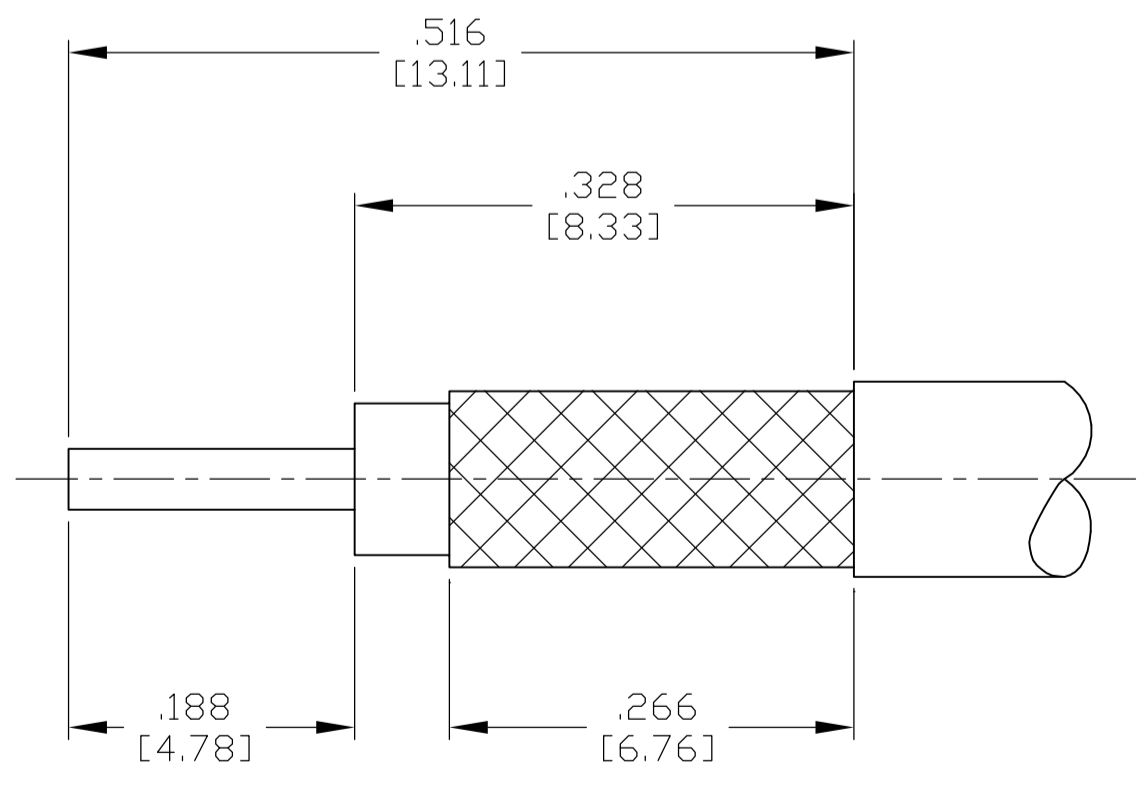


LOC	DIST	REVISIONS				
DF	XO	REV	DESCRIPTION	DATE	DWN	APVD
		0	RELEASED	4-04	CT	RG



- CONTACT AND FERRULE PACKAGED UNASSEMBLED.
- USE PRD CRIMPER 354940-1 WITH DIESET 58436-1.
- FOR USE WITH CABLE: BELDON 9266 AND FM-59.
- HEX CRIMP HEIGHTS:  
 FERRULE: .255 [6.48]  
 CONTACT: .068 [1.73]
- CONNECTOR INDIVIDULLY PACKAGED.



RECOMMENDED STRIP LENGTH

1757099-1  
 PART NUMBER

THIS DRAWING IS A CONTROLLED DOCUMENT.		DWG C.C.THOMAS	23APR04		Tyco Electronics Corporation Harrisburg, Pa 17105-3608	
DIMENSIONS: INCHES		CHK R.GROSS	4-23-04		NAME R.GROSS	PLUG ASSY,BNC
TOLERANCES UNLESS OTHERWISE SPECIFIED:		APVD R.GROSS		PRODUCT SPEC	APPLICATION SPEC	
0 PLC ± -		SIZE A1		CAGE CODE 00779	DRAWING NO 1757099	RESTRICTED TO
1 PLC ± -		WEIGHT		SCALE 8:1		SHEET 1 OF 1
2 PLC ± -		MATERIAL		CUSTOMER DRAWING		REV 0
3 PLC ± .016 [0.41]						
4 PLC ± -						
ANGLES ± -						
FINISH -						