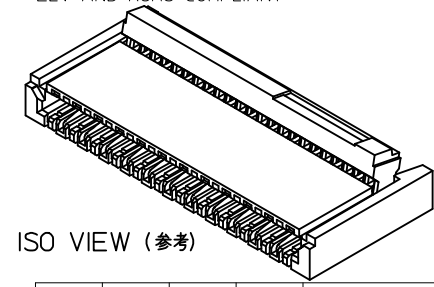
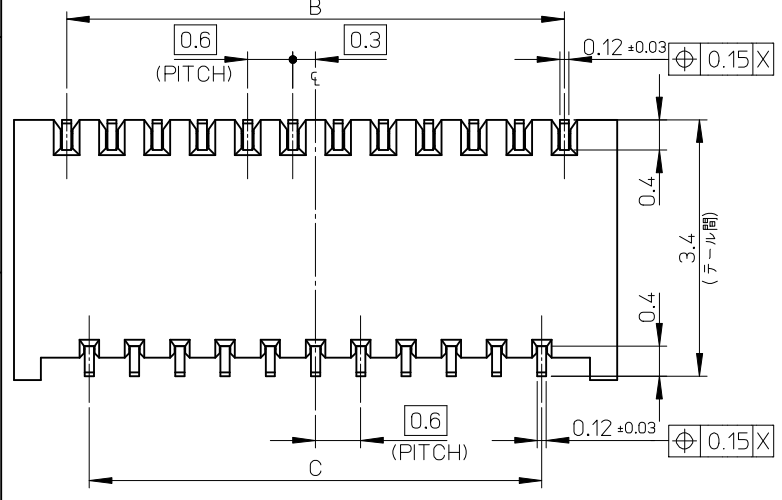
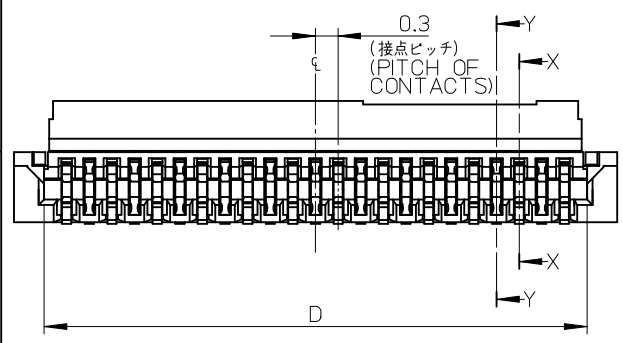
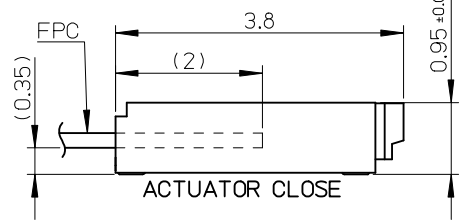
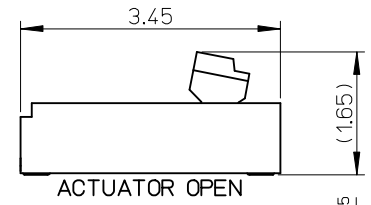
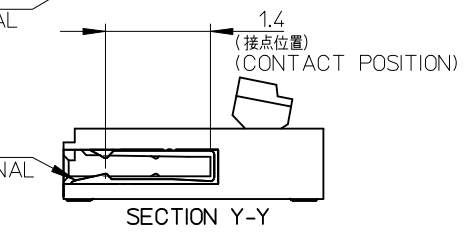
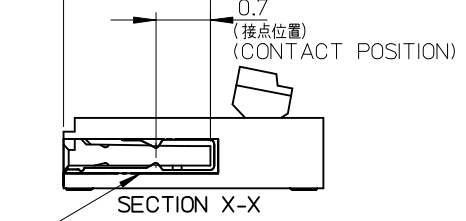
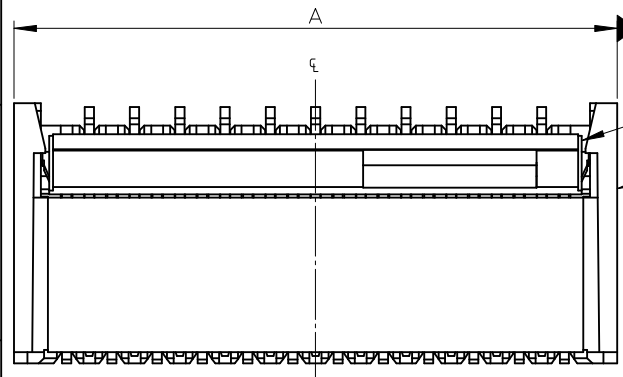


注記 NOTES

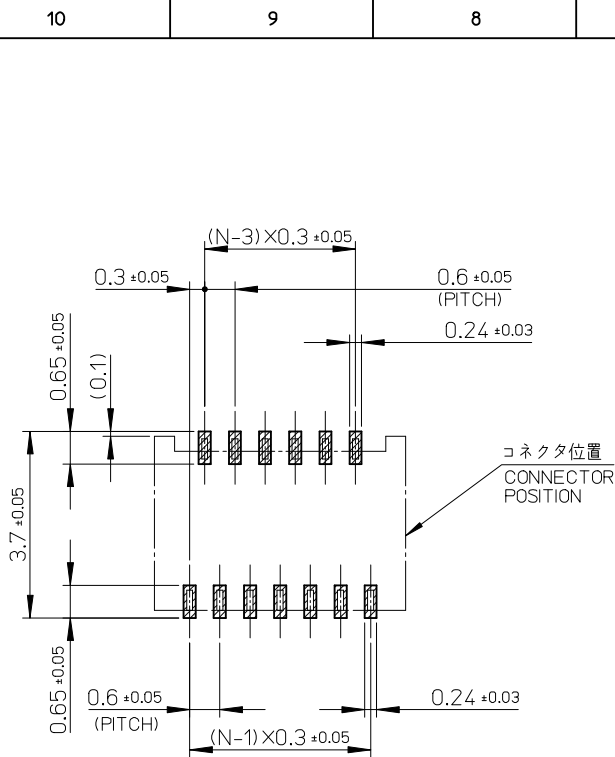
- 使用材料 MATERIALS
 ハウジング : 液晶ポリマー (LCP)、ガラス充填、UL94 V-0、ナチュラル (白色系)
 アクチュエータ: ポリアミド (PA)、ガラス充填、UL94 HB、黒色
 奇数端子 : リン青銅 t=0.12mm
 偶数端子 : リン青銅 t=0.12mm
 HOUSING : LIQUID CRYSTAL POLYMER (LCP)、GLASS FILLED、UL94 V-0、NATURAL (WHITE)
 ACTUATOR : POLYAMIDE (PA)、GLASS FILLED、UL94 HB、BLACK
 ODD TERMINAL : PHOSPHOR BRONZE t=0.12mm
 EVEN TERMINAL : PHOSPHOR BRONZE t=0.12mm
- メッキ仕様 PLATING
 端子 TERMINAL
 テール部: 金メッキ
 接点部: 金メッキ 0.1μm以上
 下地: ニッケルメッキ 1.0μm以上
 TAIL AREA : Gold PLATING
 CONTACT AREA : Gold PLATING 0.1μm MINIMUM
 UNDER PLATING : Nickel PLATING 1.0μm MINIMUM
- 端子の平坦度は0.1mm以下とする
 COPLANALITY OF SOLDER TAILS: 0.1mmMAX.
- ELV及びRoHS適合品
 ELV AND RoHS COMPLIANT



18.6	17.4	18.0	19.4	504740-6100	61
15.6	14.4	15.0	16.4	504740-5100	51
13.8	12.6	13.2	14.6	504740-4500	45
12.6	11.4	12.0	13.4	504740-4100	41
12.0	10.8	11.4	12.8	504740-3900	39
11.4	10.2	10.8	12.2	504740-3700	37
10.2	9.0	9.6	11.0	504740-3300	33
7.2	6.0	6.6	8.0	504740-2300	23
6.0	4.8	5.4	6.8	504740-1900	19
D	C	B	A	EMBOSSED TAPE	CIRCUITS
				ORDER NO. オーダー番号	

CONNECTOR SERIES NO. 504740-**-09

REVISED EC NO: J2015-1144 DR: M. N. SANUMA 2015/03/06 CHK: K. TAKAHASHI 2015/04/13 APPR: Y. NOGAWA 2015/04/14	GENERAL TOLERANCES (UNLESS SPECIFIED)		DIMENSION STYLE MM ONLY		SCALE	DESIGN UNITS METRIC	THIRD ANGLE PROJECTION
	0.25 UNDER	±0.03	DRAWN BY	DATE	TITLE	0.3 FPC CONN. BACK FLIP HGT=0.95MM HOUSING ASSY molex	
	0.25 OVER 0.5 UNDER	±0.05	TONO	2013/07/17			
	0.5 OVER 1.0 UNDER	±0.1	CHECKED BY	DATE			
	1.0 OVER 10 UNDER	±0.2	HIJIMA	2013/07/17			
10 OVER 30 UNDER	±0.25	APPROVED BY	DATE				
30 OVER	±0.3	YNOGAWA	2014/03/05				
ANGULAR	±1 °	MATERIAL NO.		SEE CHART		DOCUMENT NO.	SHEET NO.
DRAFT WHERE APPLICABLE MUST REMAIN WITHIN DIMENSIONS		SIZE A3		THIS DRAWING CONTAINS INFORMATION THAT IS PROPRIETARY TO MOLEX INCORPORATED AND SHOULD NOT BE USED WITHOUT WRITTEN PERMISSION			1 OF 2



参照基板レイアウト(マウント面)

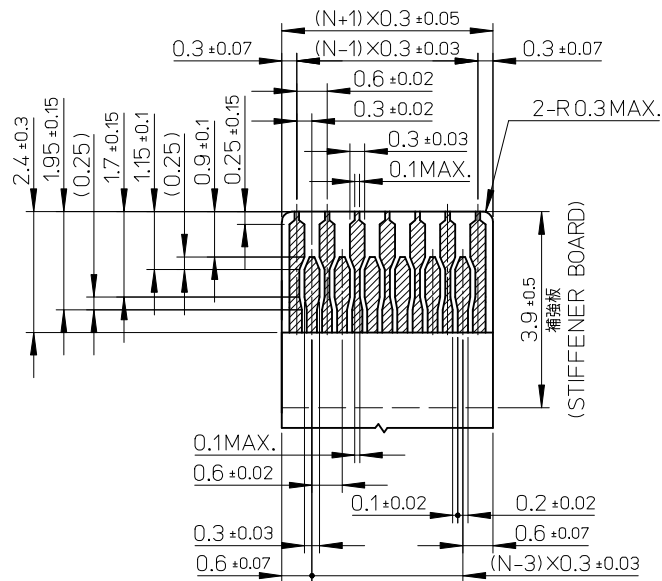
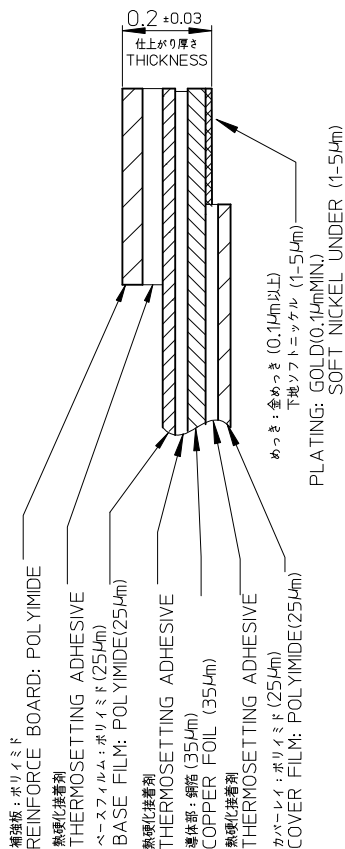
P.W. BOARD PATTERN
DIM.(REF)

推奨メタルマスク厚さ: 0.1mm

RECOMMENDED METAL MASK THICKNESS: 0.1mm

推奨開口率: 80%

APERTURE RATE: 80%



適合FPC推奨寸法

(仕上がり厚さ: 0.20 ± 0.03)

APPLY FPC RECOMMENDED DIM.

(THICKNESS: 0.20 ± 0.03)

FPCについて (ABOUT FPC)

抜き方向は、導体側から補強版側を推奨致します。
補強板材質はポリイミド、接着剤は熱硬化接着剤を推奨します。
尚、接着剤の接点部への付着は導通不良の原因になりますので、染み出しが無い様、お願い致します。
RECOMMENDED PUNCHER DIRECTION:
FROM CONDUCTOR SIDE TO STIFFENER BOARD SIDE.
RECOMMENDED MATERIAL:
STIFFENER BOARD: POLYIMIDE
BONDING AGENT: THERMOSETTING AGENT
PLEASE PUT APPROPRIATE AMOUNT OF ADHESIVE ON ADHEREND
BECAUSE THERE IS A POSSIBILITY THAT
THE EXTRA ADHESIVE CAUSES THE DEFECT IN ELECTRICAL CONTINUITY.

※1 補強板の長さが図面通りに確保できない場合は、カバーレイと補強板のオーバーラップ寸法を0.5mm以上としてください。
WHEN STIFFENER BOARD DIMENSION CAN NOT SECURE AS DRAWING, PLEASE GIVE THE OVERLAP SIZE OF COVER FILM AND STIFFENER BOARD AS 0.5mm MINIMUM.

GENERAL TOLERANCES (UNLESS SPECIFIED)				DIMENSION STYLE		SCALE	DESIGN UNITS	THIRD ANGLE PROJECTION		
				MM ONLY			METRIC			
0.25	UNDER		±0.03	DRAWN BY	DATE	TITLE				
0.25	OVER	0.5	UNDER	±0.05	TONO	2013/07/17	0.3 FPC CONN. BACK FLIP			
0.5	OVER	1.0	UNDER	±0.1	CHECKED BY	DATE	HGT=0.95MM			
1.0	OVER	10	UNDER	±0.2	HIJIMA	2013/07/17	HOUSING ASSY			
10	OVER	30	UNDER	±0.25	APPROVED BY	DATE	molex			
30	OVER		±0.3	YNOGAWA	2014/03/05					
ANGULAR ±1 °				MATERIAL NO.		DOCUMENT NO.		SHEET NO.		
DRAFT WHERE APPLICABLE MUST REMAIN WITHIN DIMENSIONS				SEE SHEET 1 OF 2		SD-504740-001		2 OF 2		
				SIZE A3		THIS DRAWING CONTAINS INFORMATION THAT IS PROPRIETARY TO MOLEX INCORPORATED AND SHOULD NOT BE USED WITHOUT WRITTEN PERMISSION				

F

E

D

C

B

A

F

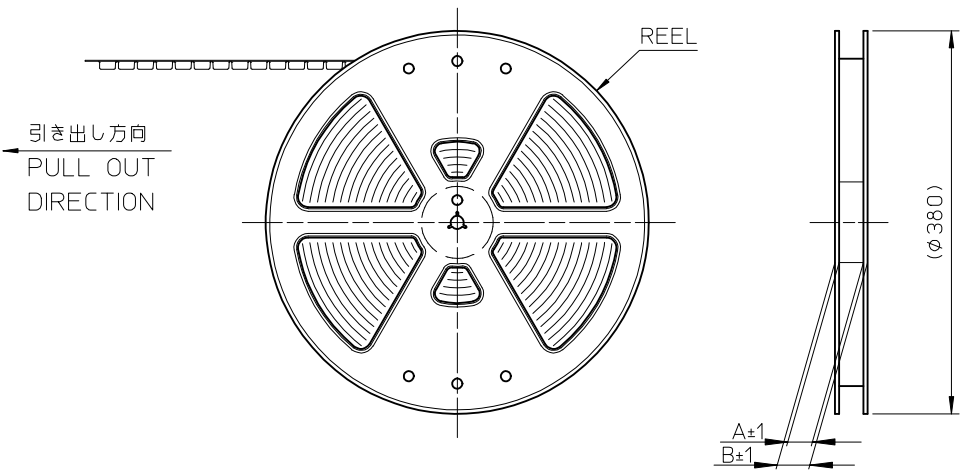
E

D

C

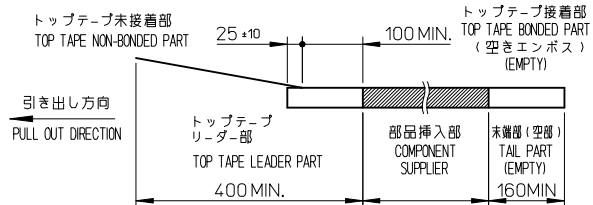
B

A



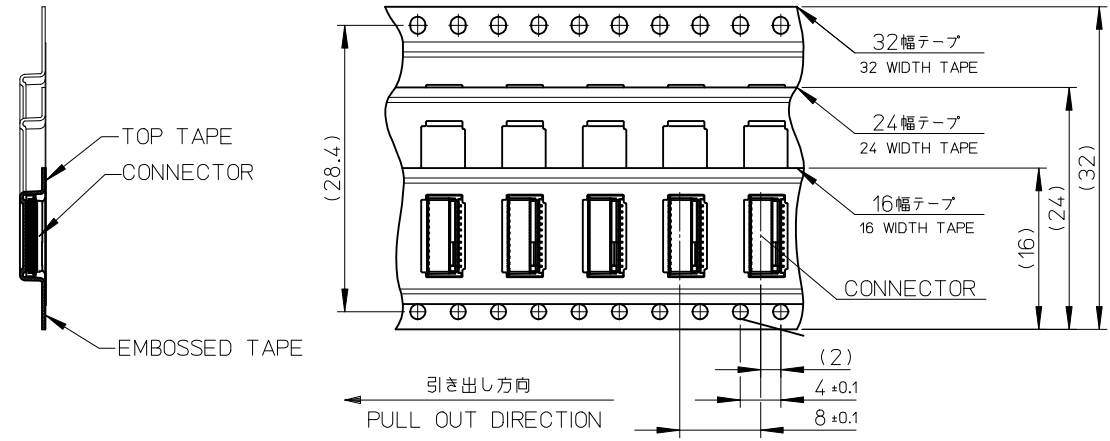
NOTES

- 製品詳細寸法については、図面 SD-504740-001をご参照下さい。
REFER TO THE SD-504740-001 ABOUT DIMENSIONS IN DETAIL.
- 梱包数量 : 5000 個/リール
NUMBER OF CONNECTORS : 5000 PCS/REEL
- リードテープ長さ
LEAD TAPE LENGTH



- トップテープの剥離強度については、IEC60286-3 に準拠
TOP TAPE PEEL FORCE IS DEFINED BY IEC60286-3.

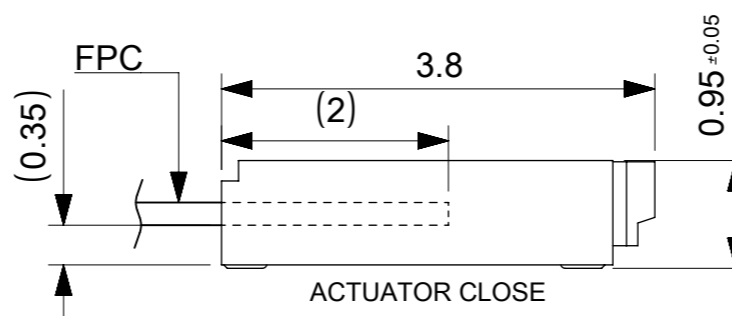
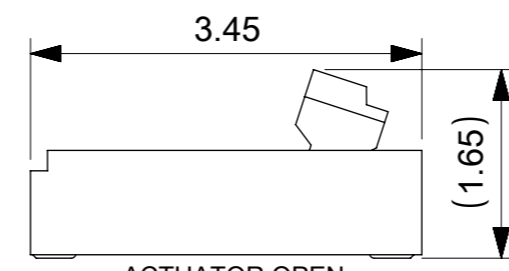
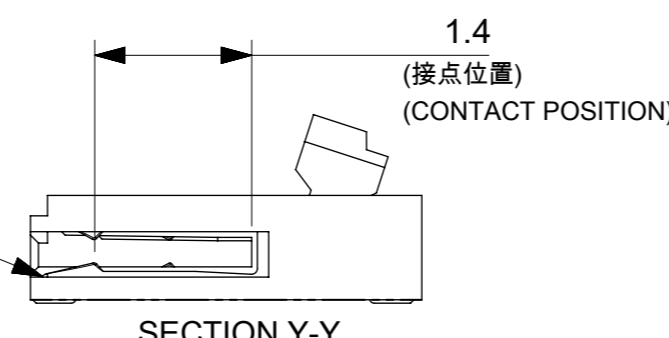
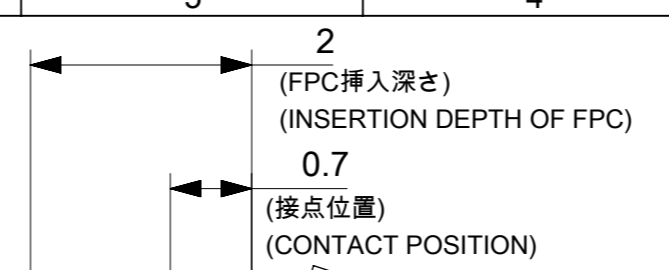
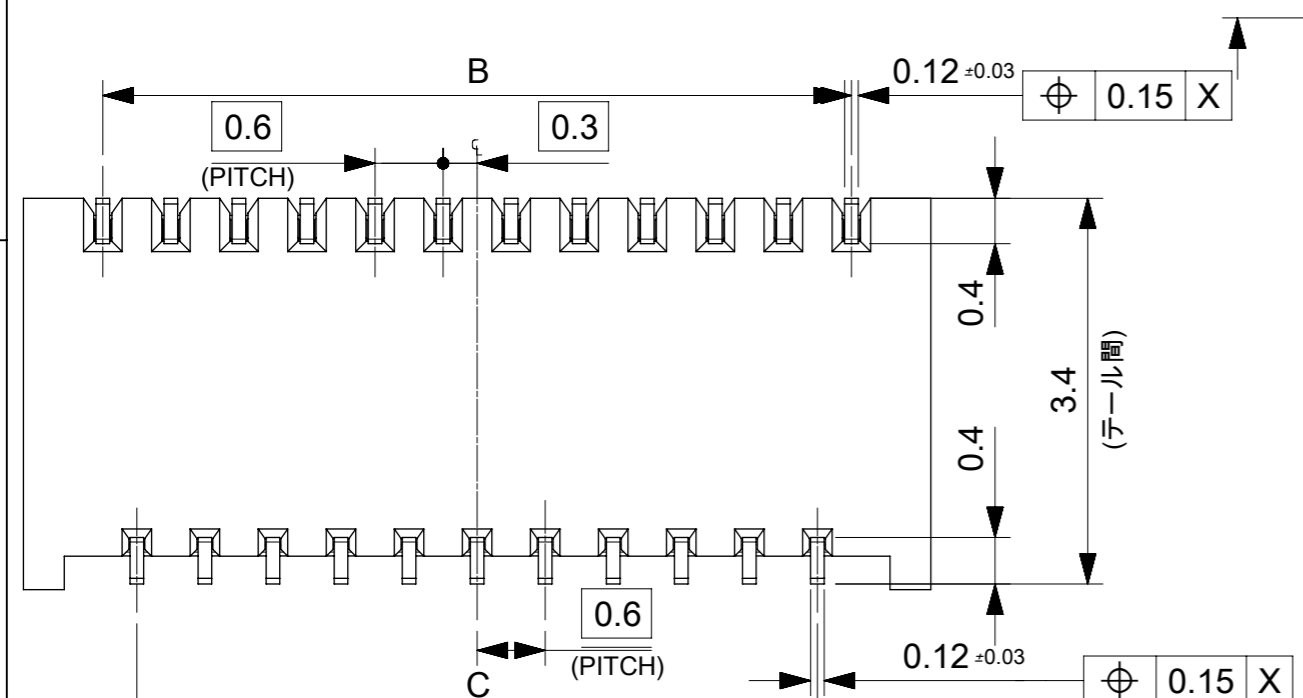
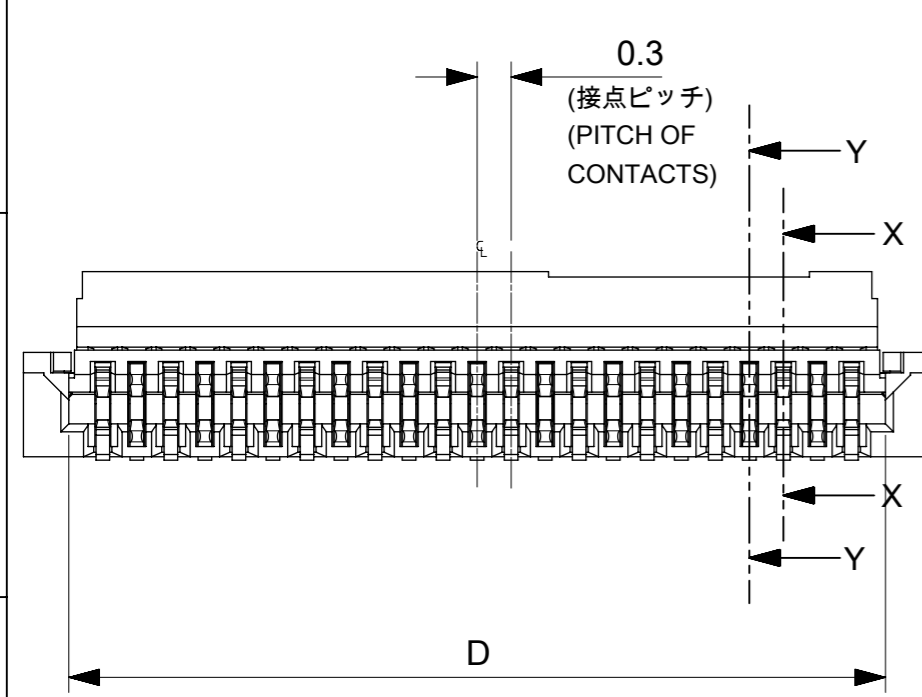
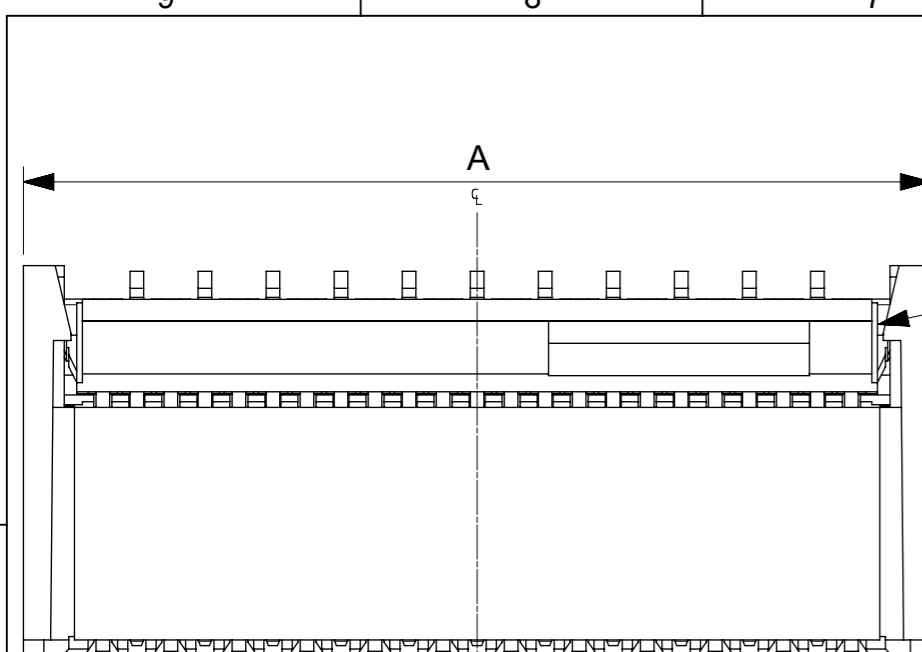
- 材料
キャリアテープ : ポリスチレン (PS)
トップテープ : PET, OTHER
リール : ポリスチレン (PS) <リサイクル材を含む>
MATERIAL
CARRIER TAPE : POLYSTYRENE(PS)
TOP TAPE : PET, OTHER
REEL : POLYSTYRENE(PS)
<RECYCLE MATERIAL CONTAINED>



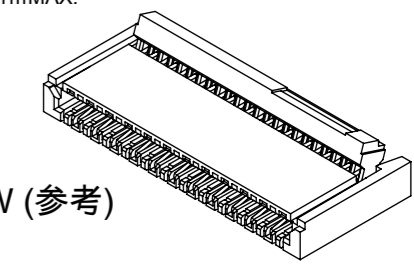
32	37.4	33.4	504740-6100	61
			504740-5100	51
24	29.4	25.4	504740-4500	45
			504740-4100	41
			504740-3900	39
			504740-3700	37
			504740-3300	33
16	21.4	17.4	504740-2300	23
			504740-1900	19
テープ幅 TAPE WIDTH	B	A	EMBOSSED PACKAGE オーダー番号 ORDER NO.	CIRCUIT
CONNECTOR SERIES NO.			504740-**09	

エンボステープ内の製品の向き
DIRECTION OF CONNECTOR IN
EMBOSSED TAPE

REVISED EC NO: J2015-1144 DRWN:NASUNUMA 2015/03/06 CHKD:KAKAHASHI 2015/04/13 APPR:YNOGAWA 2015/04/14	GENERAL TOLERANCES (UNLESS SPECIFIED)			DIMENSION STYLE MM ONLY		SCALE 1:0	DESIGN UNITS METRIC	THIRD ANGLE PROJECTION
	0.25 UNDER	UNDER	±0.03	DRAWN BY TONO	DATE 2013/07/25	TITLE 0.3 FPC CONN. BACK FLIP HGT=0.95MM EMBSTP PKG		
	0.25 OVER	0.5 UNDER	±0.05	CHECKED BY HIIJIMA	DATE 2013/07/25	molex		
	0.5 OVER	1.0 UNDER	±0.1	APPROVED BY YNOGAWA	DATE 2014/03/05			
	1.0 OVER	30 UNDER	±0.2	MATERIAL NO.		DOCUMENT NO.	SHEET NO.	
10 OVER	30 UNDER	±0.25	SEE CHART		SD-504740-002	1 OF 1		
30 OVER		±0.3	DRAFT WHERE APPLICABLE MUST REMAIN WITHIN DIMENSIONS					
ANGULAR	±1 °		THIS DRAWING CONTAINS INFORMATION THAT IS PROPRIETARY TO MOLEX INCORPORATED AND SHOULD NOT BE USED WITHOUT WRITTEN PERMISSION					



- 注記 NOTES**
1. 使用材料 MATERIALS
 ハウジング : 液晶ポリマー(LCP)、ガラス充填、UL94 V-0、ナチュラル(白色系)
 アクチュエータ : ポリアミド(PA)、ガラス充填、UL94、HB、黒色
 奇数端子 : リン青銅 t=0.12mm
 偶数端子 : リン青銅 t=0.12mm
 HOUSING : LIQUID CRYSTAL POLYMER(LCP)、GLASS FILLED、UL94、V-0、NATURAL(WHITE)
 ACTUATOR : POLYIMIDE(PA)、GLASS FILLED、UL94、HB、BLACK
 ODD TERMINAL : PHOSPHOR BRONZE t=0.12mm
 EVEN TERMINAL : PHOSPHOR BRONZE t=0.12mm
 2. メッキ仕様 PLATING
 端子 TERMINAL
 テール部 : 金メッキ
 接点部 : 金メッキ 0.1μm以上
 下地 : ニッケルメッキ 1.0μm以上
 TAIL AREA: Gold PLATING
 CONTACT AREA: Gold PLATING 0.1μm MINIMUM
 UNDER PLATING: Nickel PLATING 1.0μm MINIMUM
 3. 端子の平坦度は0.1mm以下とする
 COPLANALITY OF SOLDER TAILS: 0.1mm MAX.
 4. ELV及びRoHS適合品
 ELV AND RoHS COMPLIANT

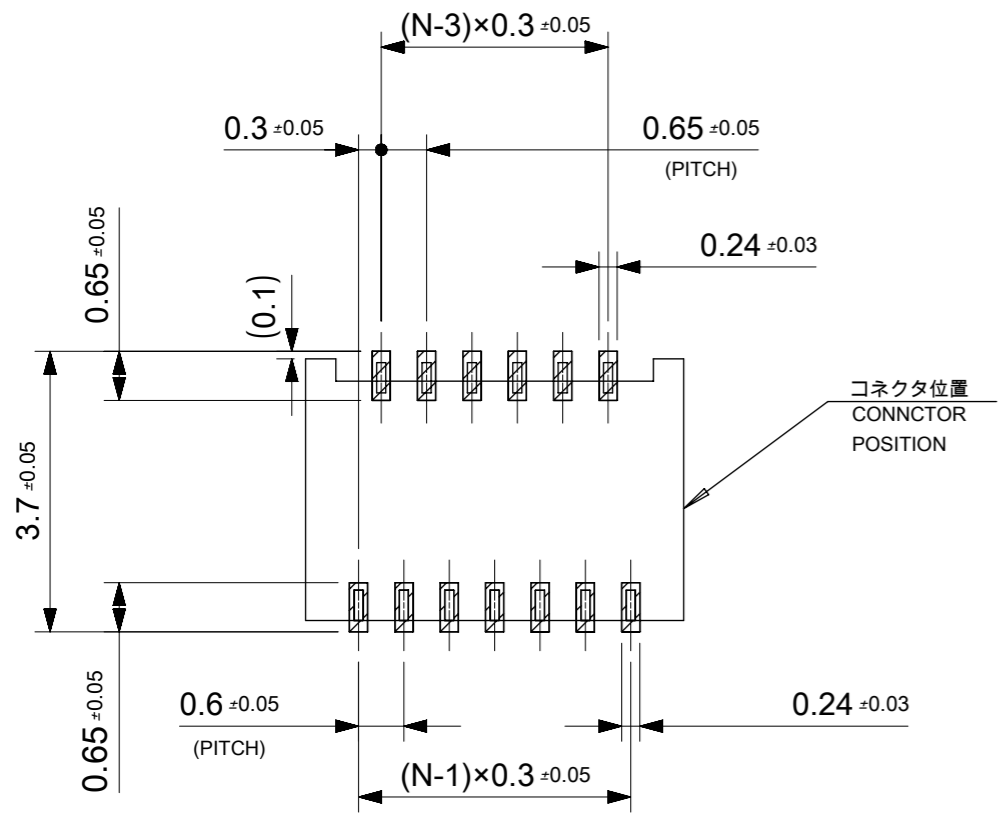


18.6	17.4	18.0	19.4	504740-6100	61
15.6	14.4	15.0	16.4	504740-5100	51
13.8	12.6	13.2	14.6	504740-4500	45
12.6	11.4	12.0	13.4	504740-4100	41
12.0	10.8	11.4	12.8	504740-3900	39
11.4	10.2	10.8	12.2	504740-3700	37
10.2	9.0	9.6	11.0	504740-3300	33
7.8	6.6	7.2	8.6	504740-2500	25
7.2	6.0	6.6	8.0	504740-2300	23
6.0	4.8	5.4	6.8	504740-1900	19
3.6	2.4	3.0	4.4	504740-1100	11
D	C	B	A	EMBOSSED TAPE	CIRCUITS
				ORDER NO. オーダー番号	

THIS DRAWING CONTAINS INFORMATION THAT IS PROPRIETARY TO MOLEX ELECTRONIC TECHNOLOGIES, LLC AND SHOULD NOT BE USED WITHOUT WRITTEN PERMISSION

EC NO: 107056 DRWN: RMIYAMOTO CHK'D: YKOBAYASHI02 APPR: KMORIKAWA	2016/07/08	GENERAL TOLERANCES (UNLESS SPECIFIED)		DIMENSION UNITS	SCALE	
	2016/08/01	ANGULAR TOL ± 1.0 °		MM	—	
	2016/08/02	4 PLACES	± 0.03	DRWN BY	DATE	
		3 PLACES	± 0.03	SHIRATA	2015/03/03	
		2 PLACES	± 0.05	CHK'D BY	DATE	
		1 PLACE	± 0.1	KTAKAHASHI	2015/05/22	
		0 PLACES	± 0.2	APPR BY	DATE	
DRAFT WHERE APPLICABLE MUST REMAIN WITHIN DIMENSIONS			DRAWING SIZE	THIRD ANGLE PROJECTION		
A	REV			A3		

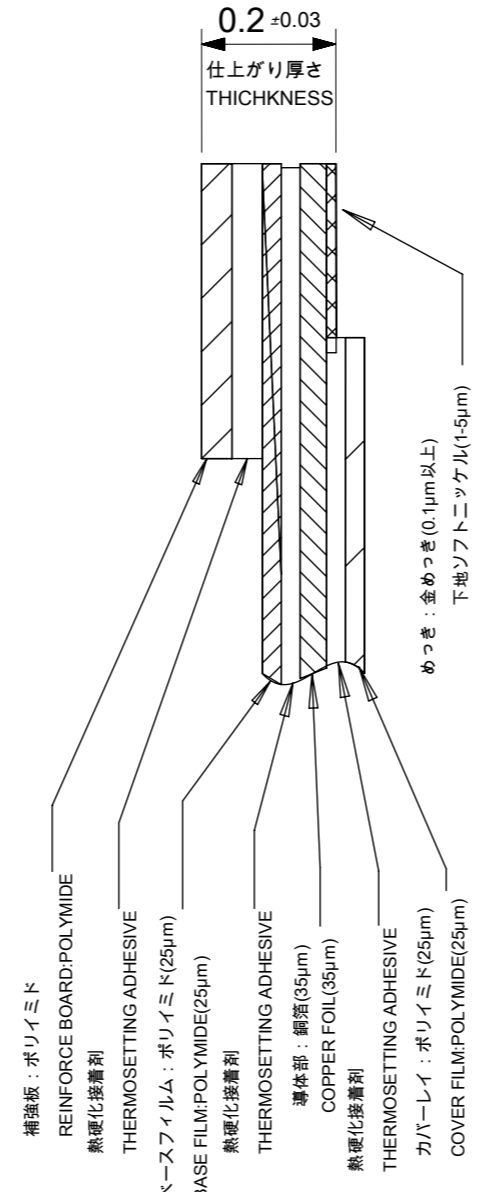
PRODUCT CUSTOMER DRAWING			
SERIES	MATERIAL NUMBER	CUSTOMER	
504740	SEE CHART	GENERAL	
DOCUMENT NUMBER	DOC TYPE	DOC PART	SHEET NUMBER
5047401000	PSD	000	1 OF 2



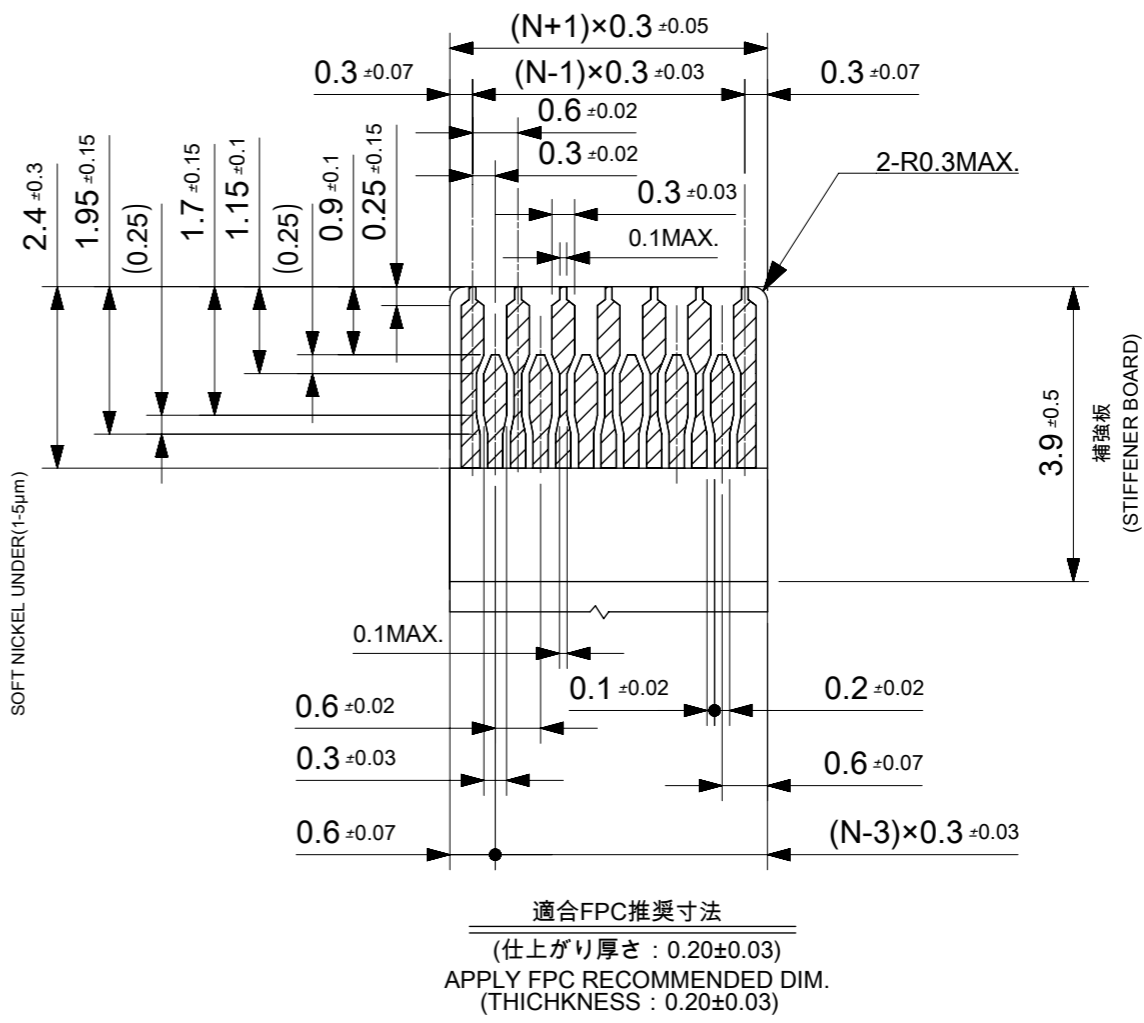
参照基板レイアウト(マウント面)
P.W. BOARD PATTERN
DIM.(REF)

推奨メタルマスク厚さ : 0.1mm
RECOMMENDED METAL MASK THICKNESS : 0.1mm

推奨開口率 : 80%
APERTURE RATE : 80%



FPC構成推奨仕様
STRUCTURE OF FPC



FPCについて (ABOUT FPC)
抜き方向は、導体側から補強版側を推奨致します。
補強板材質はポリイミド、接着剤は熱硬化接着剤を推奨します。
尚、接着剤の接点部への付着は導通不良の原因になりますので、染み出しが無い様、お願い致します。
RECOMMENDED PUNCHER DIRECTION:
FROM CONDUCTOR SIDE TO STIFFENER BOARD SIDE.
RECOMMENDED MATERIAL:
STIFFENER BOARD: POLYIMIDE
BONDING AGENT: THERMOSETTING AGENT
PLEASE PUT APPROPRIATE AMOUNT OF ADHESIVE ON ADHEREND
BECAUSE THERE IS A POSSIBILITY THAT
THE EXTRA ADHESIVE CAUSES THE DEFECT IN ELECTRICAL CONTINUITY.

※1 補強板の長さが図面通りに確保できない場合は、カバーレイと補強板のオーバーラップ寸法を0.5mm以上としてください。
WHEN STIFFNER BOARD DIMENSION CAN NOT SECURE AS DRAWING, PLEASE GIVE THE OVERLAP SIZE OF COVER FILM AND STIFFNER BOARD AS 0.5mm MINIMUM.

tb_frame_A3_J_AM_S
Rev H 2014/11/25

RELEASE STATUS	P1	RELEASE DATE	02.08.2016	00:39:56
----------------	----	--------------	------------	----------

THIS DRAWING CONTAINS INFORMATION THAT IS PROPRIETARY TO MOLEX ELECTRONIC TECHNOLOGIES, LLC AND SHOULD NOT BE USED WITHOUT WRITTEN PERMISSION					
EC NO: 107056 DRWN: RMIYAMOTO CHK'D: YKOBAYASHI02 APPR: KMORIKAWA	2016/07/08 2016/08/01 2016/08/02		GENERAL TOLERANCES (UNLESS SPECIFIED)		
	ANGULAR TOL ± 1.0 °		DIMENSION UNITS: MM		
	4 PLACES ± 0.03		SCALE: _____		
	3 PLACES ± 0.03		DRWN BY: SHIRATA		
	2 PLACES ± 0.05		DATE: 2015/03/03		
1 PLACE ± 0.1		CHK'D BY: KTAKAHASHI			
0 PLACES ± 0.2		DATE: 2015/05/22			
DRAFT WHERE APPLICABLE MUST REMAIN WITHIN DIMENSIONS		APPR BY: _____		DATE: _____	
A3		DRAWING SIZE: A3		THIRD ANGLE PROJECTION	
A		REV		MOLLEX®	
0.3 FPC CONN. BF H=0.95 HOUSING ASSY				PRODUCT CUSTOMER DRAWING	
SERIES: 504740		MATERIAL NUMBER: SEE CHART		CUSTOMER: GENERAL	
DOCUMENT NUMBER: 5047401000		DOC TYPE: PSD		DOC PART: 000	
SHEET NUMBER: 2 OF 2		DATE: 2015/12/14		DATE: 2015/12/14	