

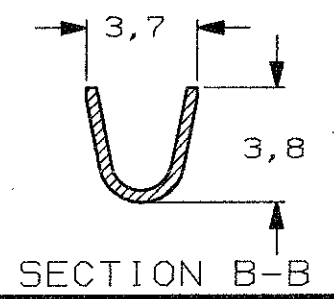
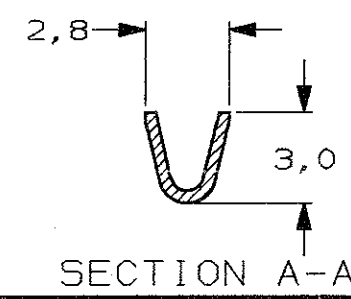
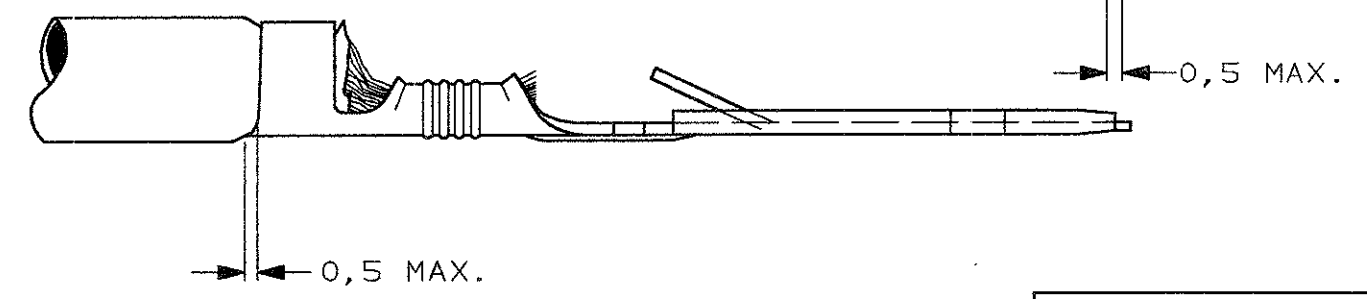
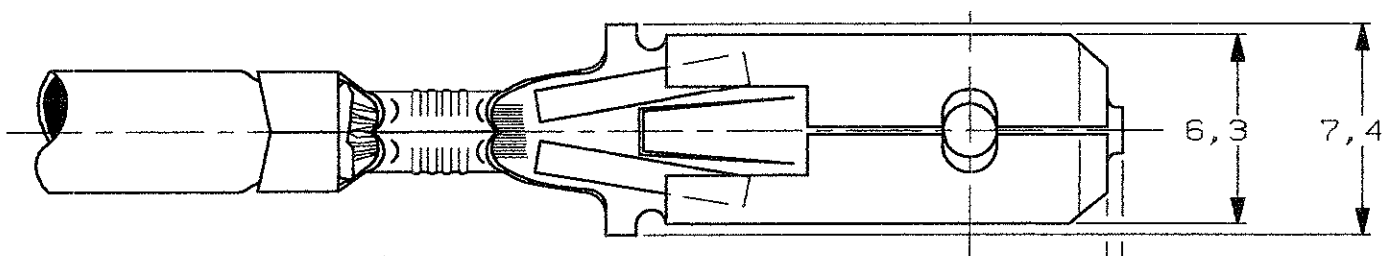
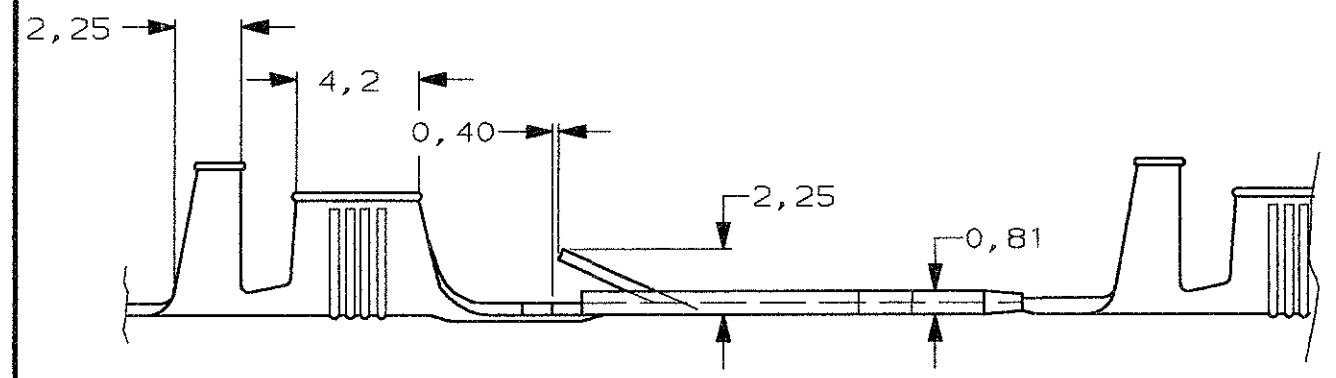
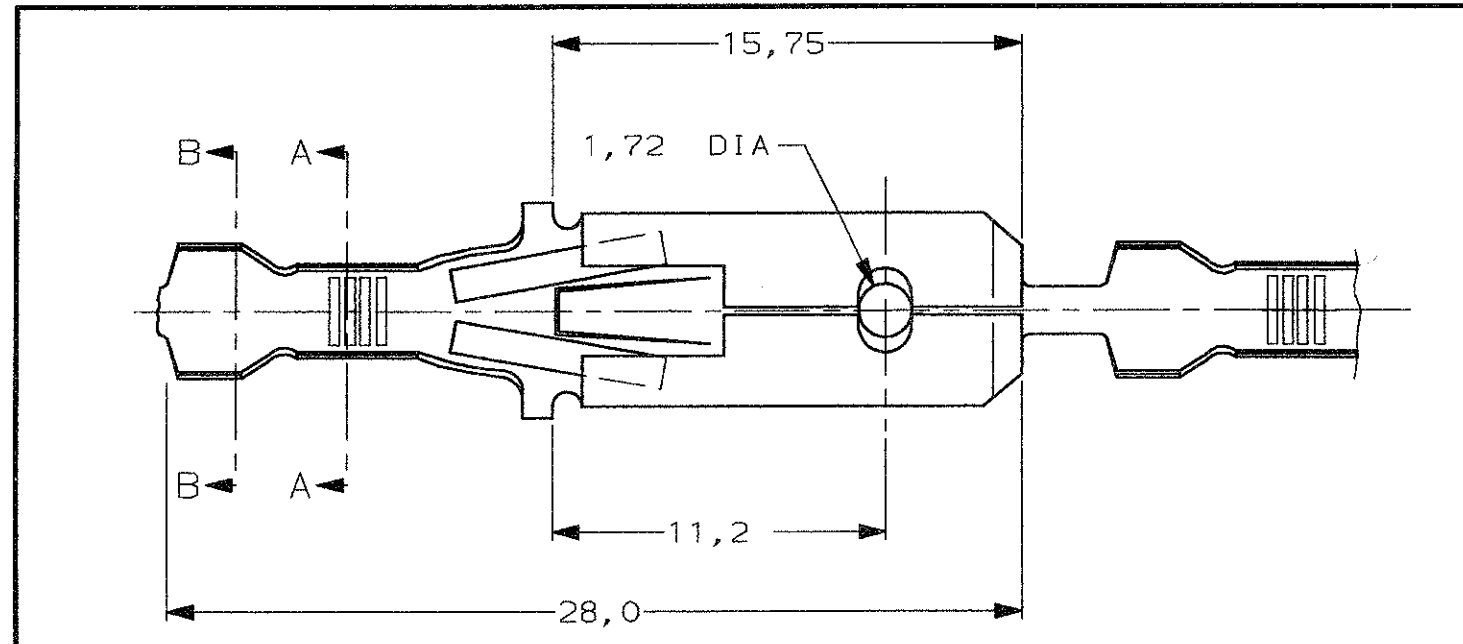
DO NOT SCALE  
DIMENSIONS IN mm

METRIC

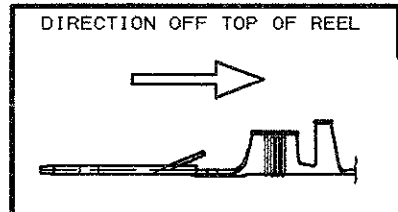
THIRD ANGLE  
PROJECTION

NOTES:

- 1 FOR USE ON MINIATURE APPLICATORS (LEFT-RIGHT FEED)
- 2 PH. BRONZE ELONGATION A50 ≥ 20%.
- 3 OBSOLETE PARTS: OBSOLETE CIS STREAMLINING PER D.RENAUD/D.SINISI



WIRE RANGE :  
0,5-1,0 mm<sup>2</sup>  
INSULATION RANGE :  
1,4-2,3mm DIA.



3	OBSOLETE	1	PRE-TINPLATED	BRASS	<del>160859-8</del>
		1	PRE-TINPLATED	Ph BRONZE	<del>160859-7</del>
		1	UNPLATED	Ph BRONZE	160859-6
		1	SILVERPLATED	Ph BRONZE	160859-5
		1	TINPLATED	Ph BRONZE	160859-4
		1	UNPLATED	Ph BRONZE	160859-3
		1	TINPLATED	BRASS	160859-2
		1	UNPLATED	BRASS	160859-1
		PLATING	PLATING	MATERIAL	PARTNUMBER

CUSTOMER DRAWING FOR REFERENCE ONLY  
WILL NOT BE UPDATED

THIS DRAWING IS UNPUBLISHED  
RELEASED FOR PUBLICATION - ,19 -



NAME  
FASTIN-FASTON® Connector,  
.250" sr. TAB CONTACT.

G3	REVISED PER ECO-11-005140	RK	HMR	31MAR11	
LTR.	REVISION RECORD	DR.	CHK.	DATE	
DR.:	J.v.LIEMPT.	CHK.:	A.BIJNEN.	APP.:	L.v.SOEST.
DATE:	23 MAR 1992	DATE:	-	DATE:	-

DWG. No.	C-160859	REV. LTR.	G3	SHEET	1 OF 1	A3
----------	----------	-----------	----	-------	--------	----