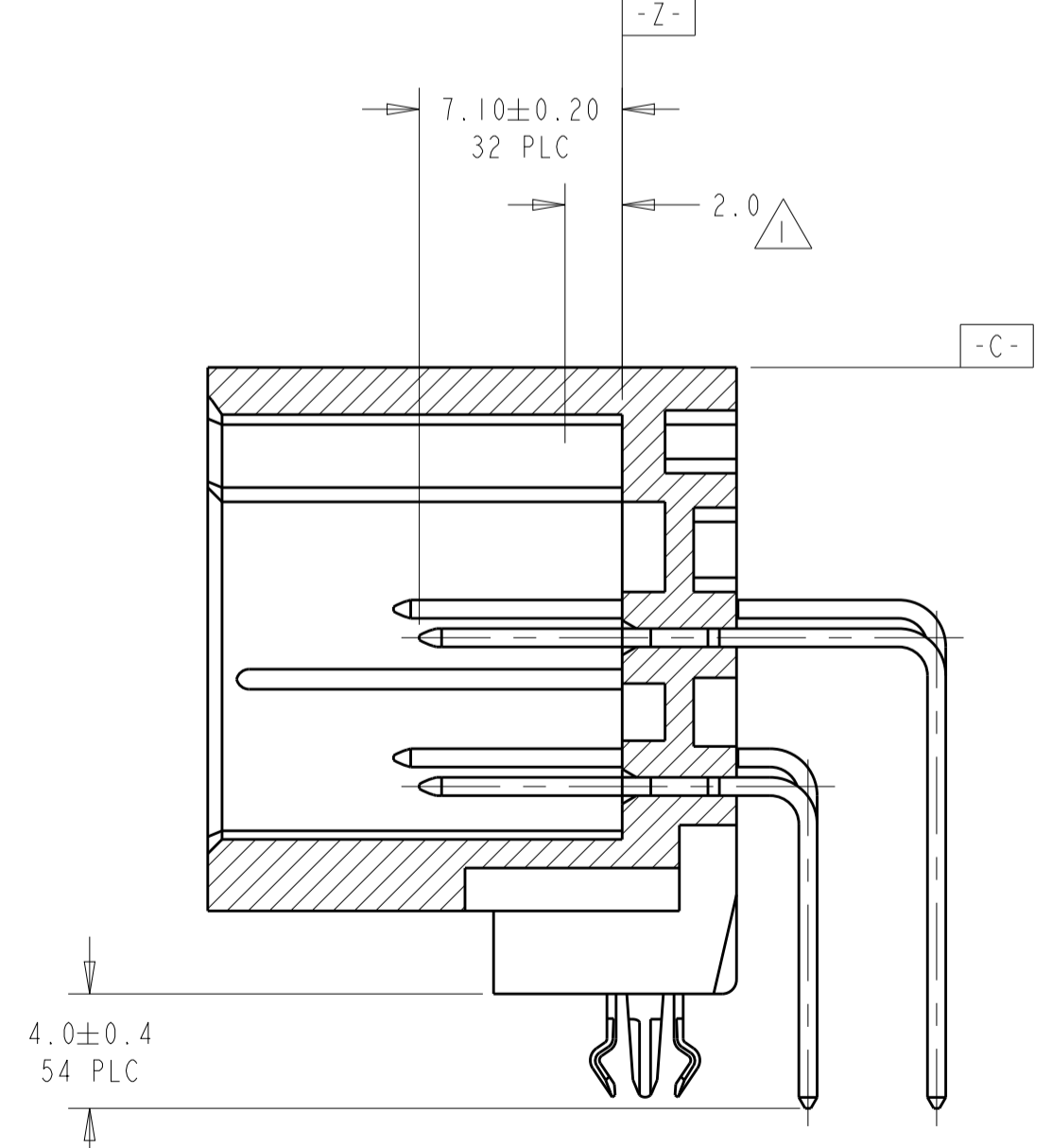
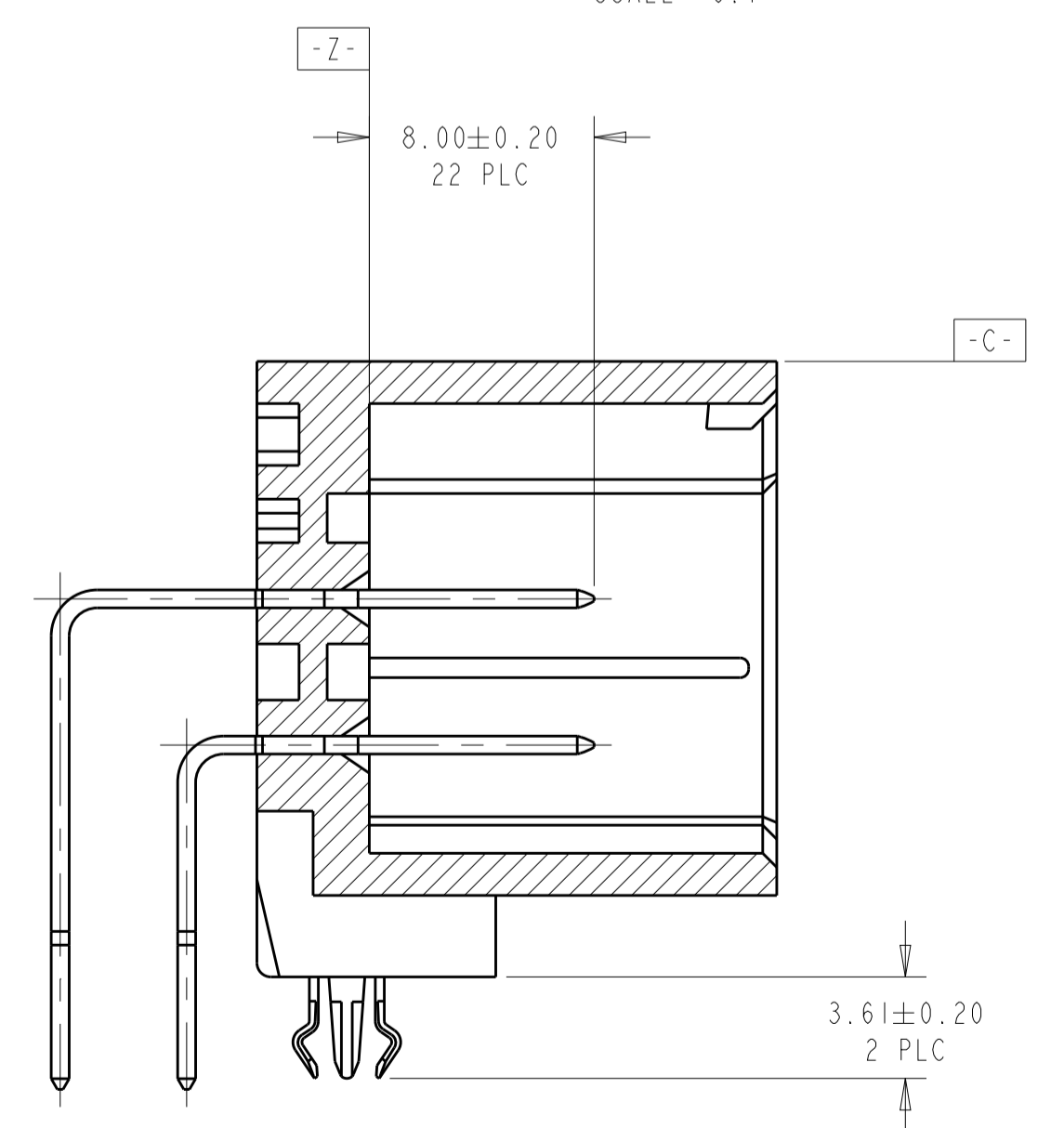
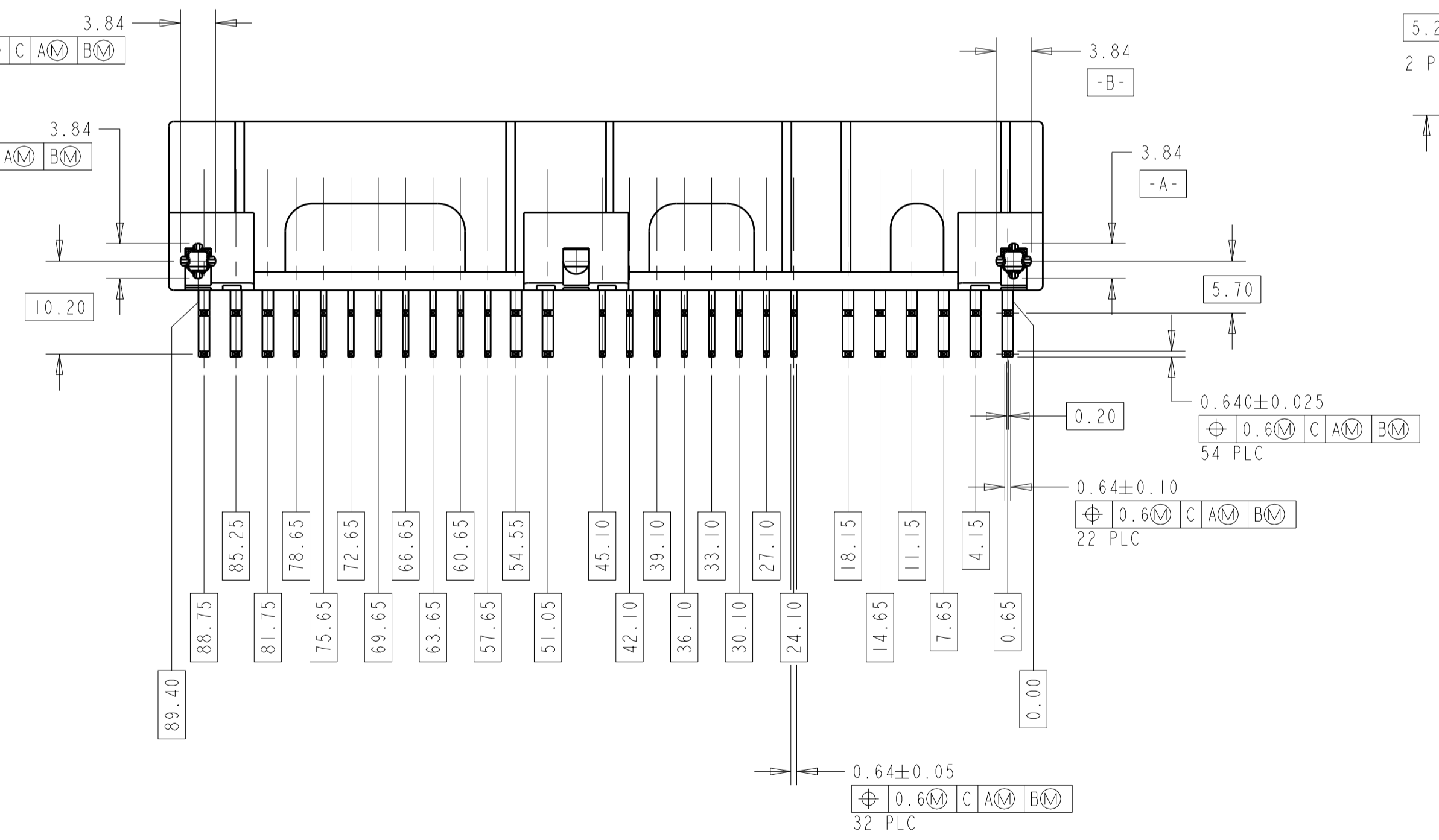
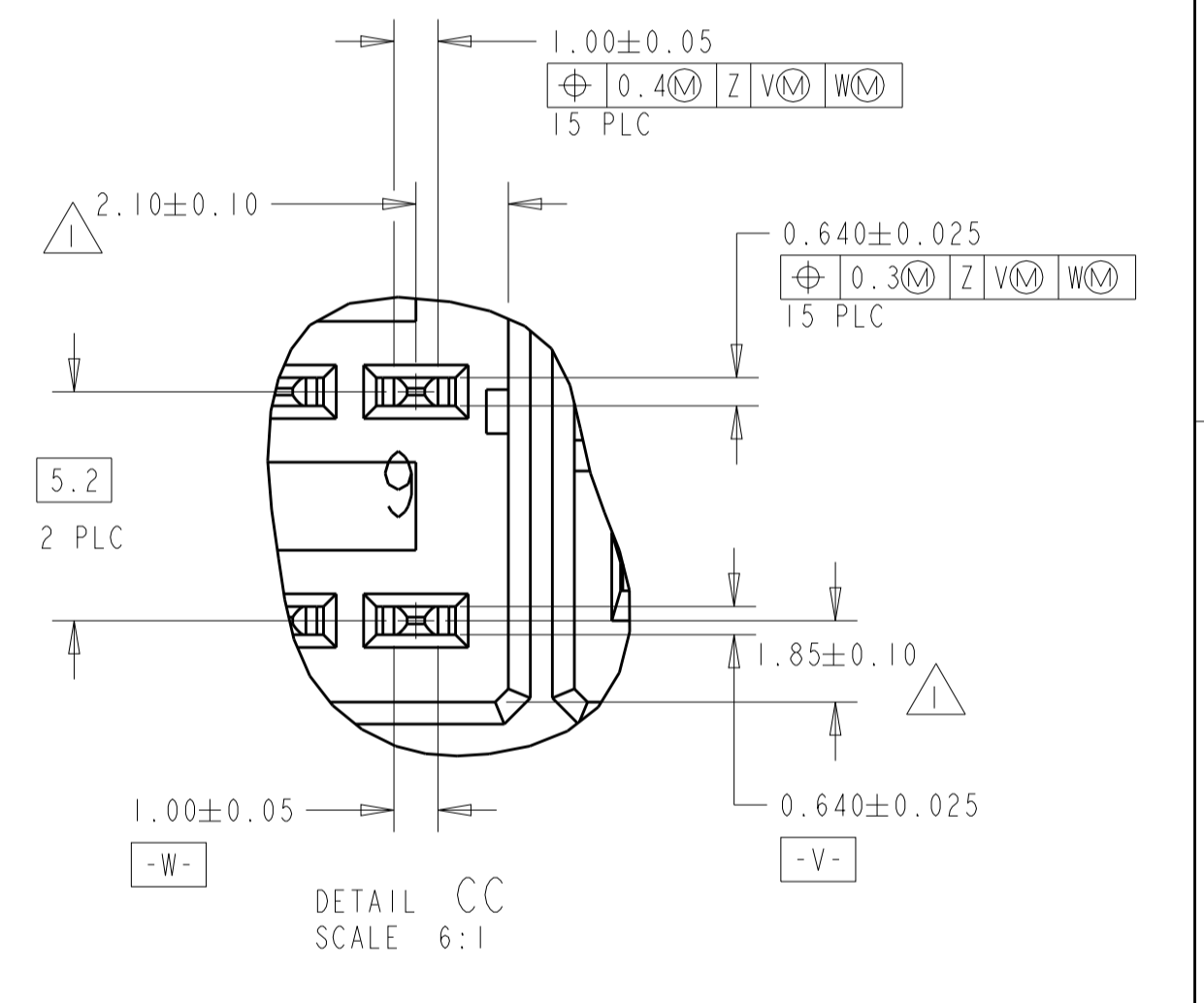
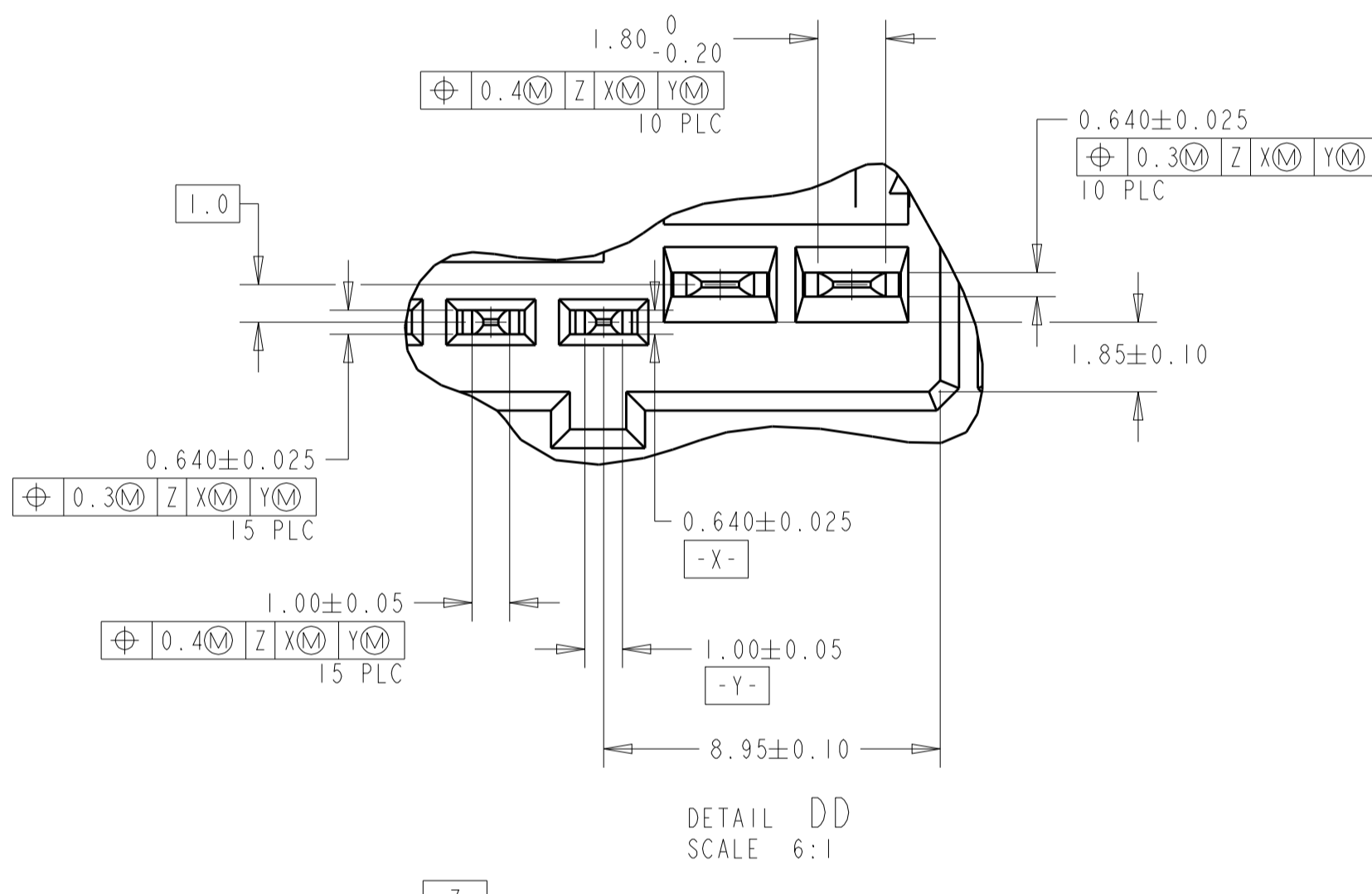
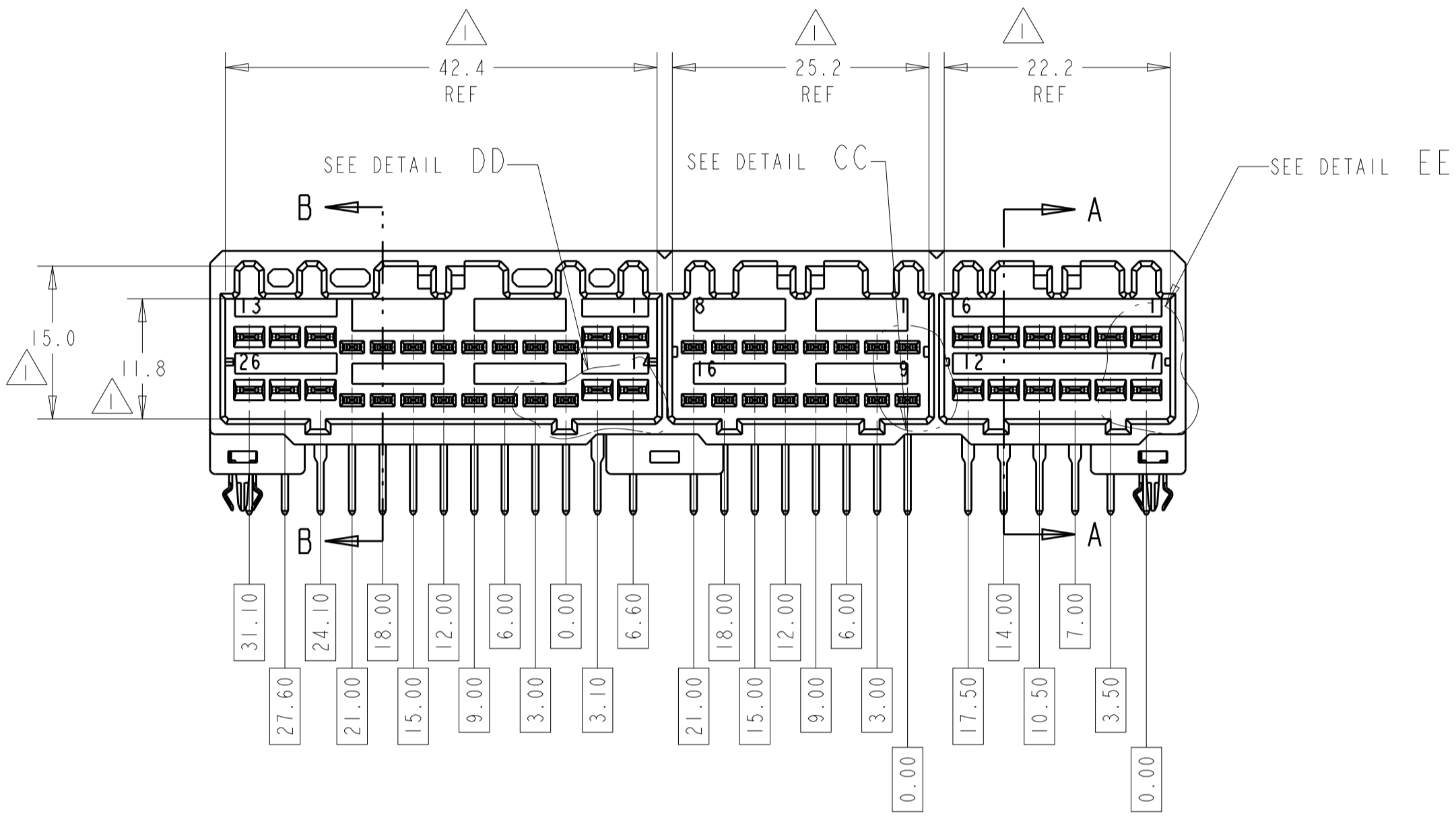
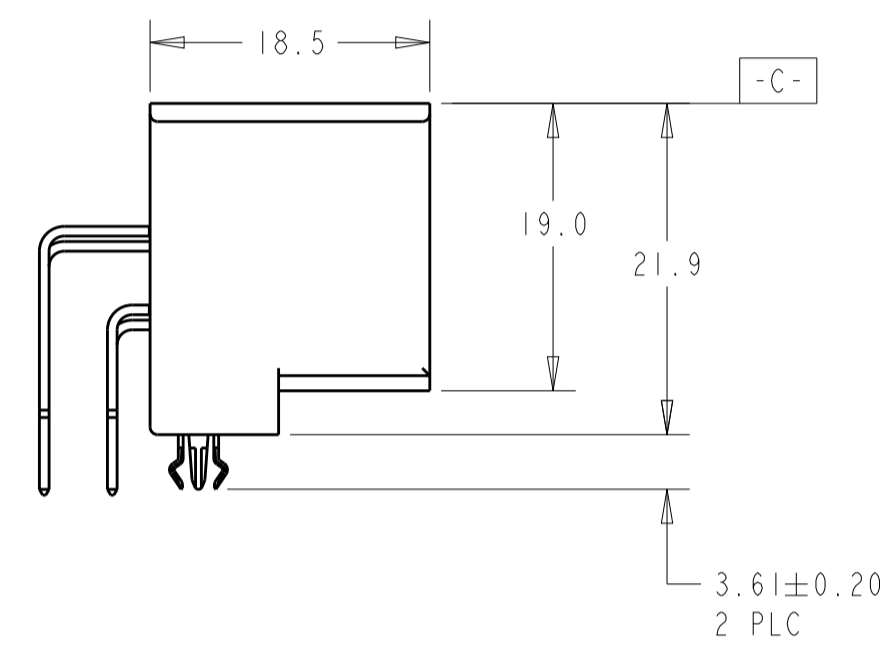
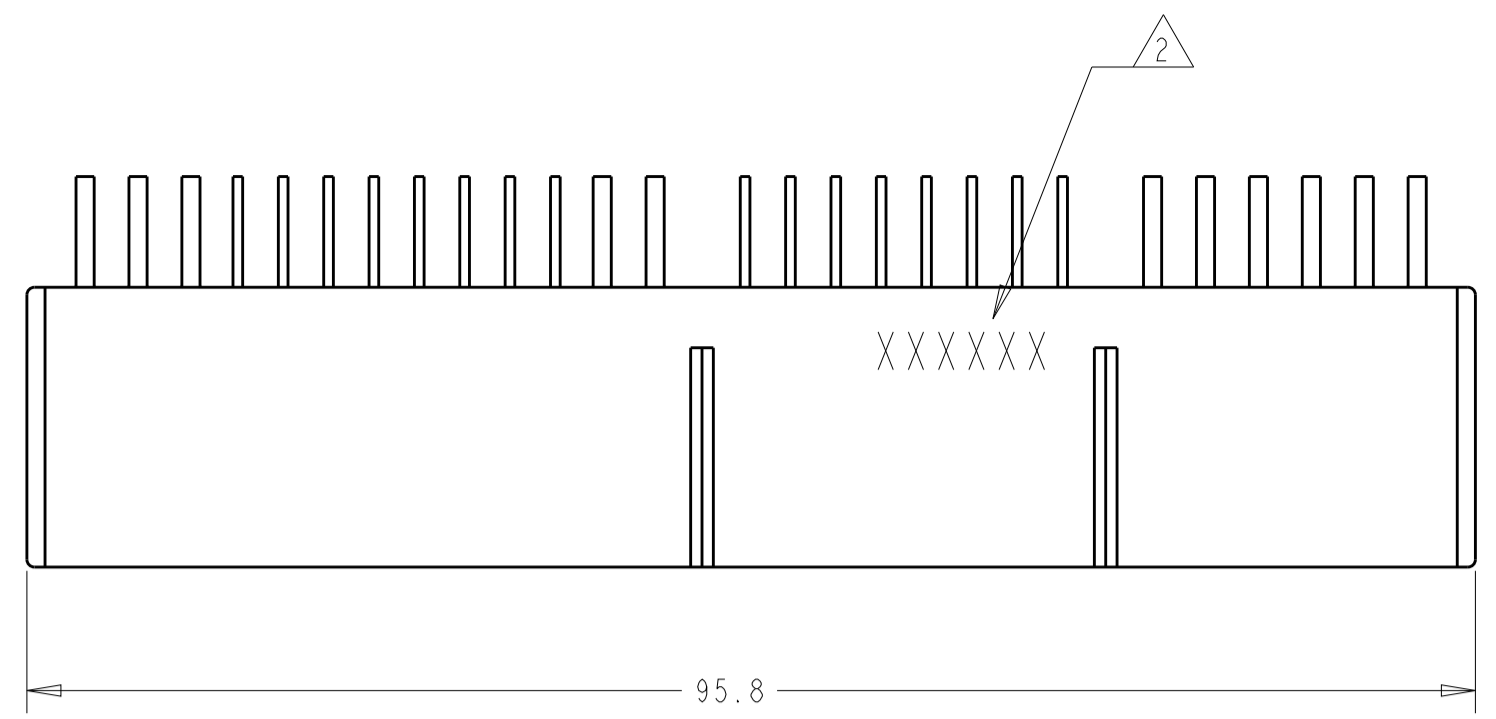
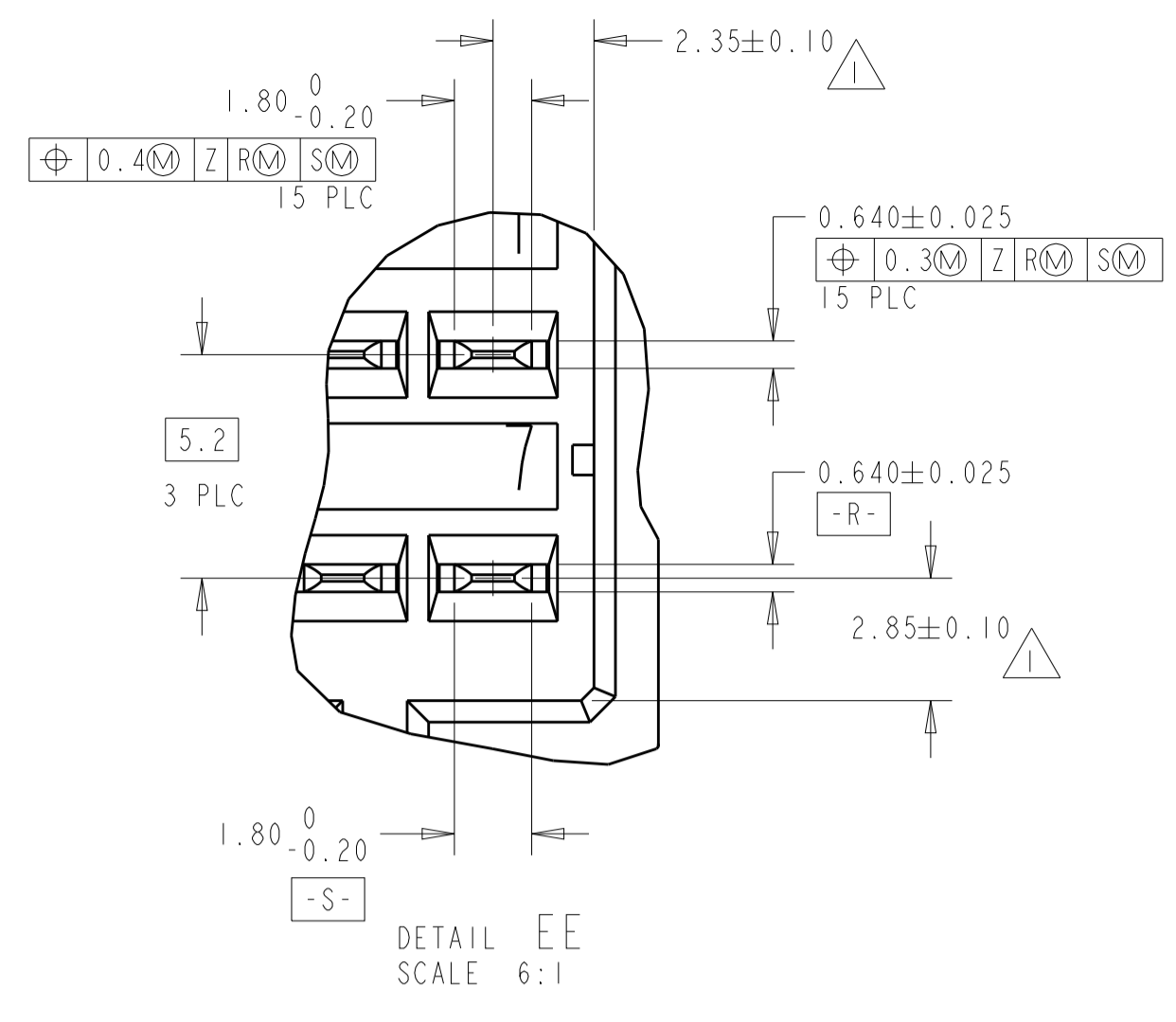
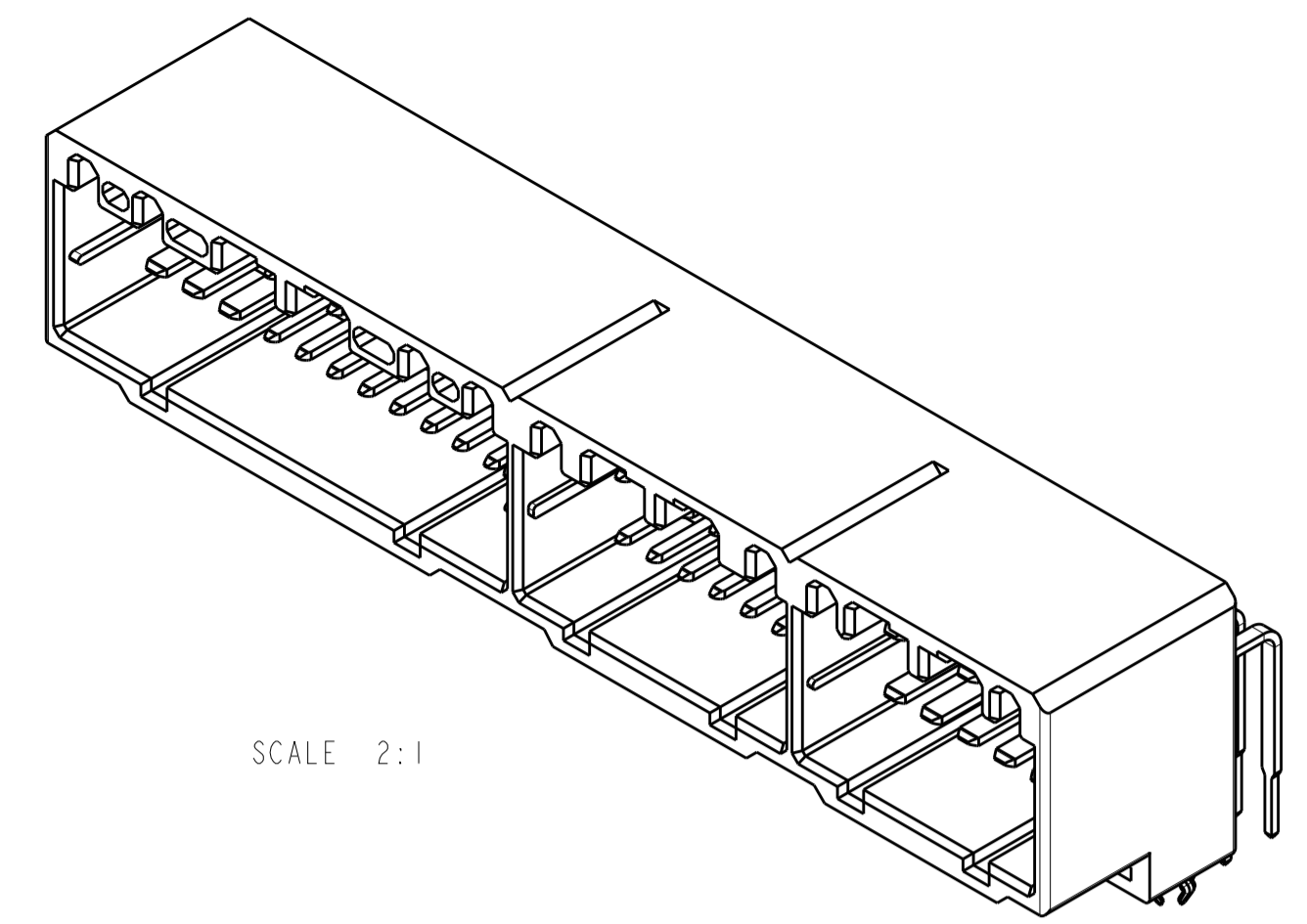


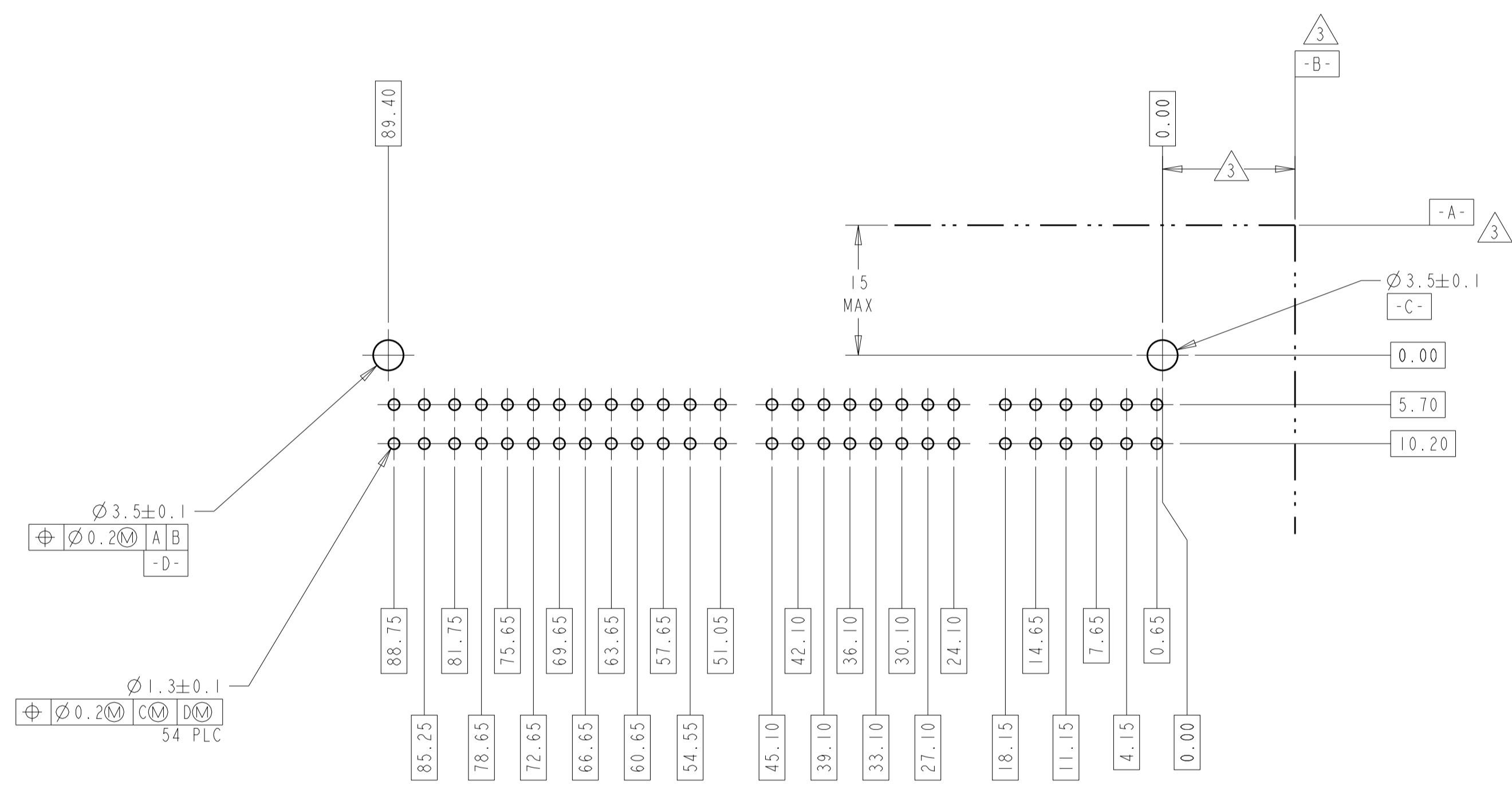
REVISIONS				
P.	LTN.	DESCRIPTION	DATE	DWN. APVD.
B2		REVISED PER ECO-009355	23JUN2015	DD MM

1 DIMENSION MUST BE HELD BETWEEN -Z- AND 2mm FROM -Z-
 2 DATE CODE
 3 DATUMS AND BASIC DIMENSIONS ESTABLISHED BY CUSTOMER.
 4. MATING PLUGS ARE 12 POSN: 917978
 16 POSN: 917981
 26 POSN: 917992


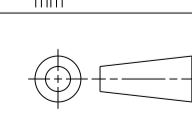


POST TIN	BRASS	POST-TIN	BRASS	GRAY	PBT	9-638258-6
POST TIN	BRASS	PRE-TIN	BRASS	GRAY	PBT	638258-6
BOARDLOCK FINISH	BOARDLOCK MATERIAL	CONTACT FINISH	CONTACT MATERIAL	COLOR	HOUSING MATERIAL	PART NUMBER
THIS DRAWING IS A CONTROLLED DOCUMENT. DIMENSIONS: mm TOLERANCES UNLESS OTHERWISE SPECIFIED: 0 PLC ±0.3 1 PLC ±0.3 2 PLC ±0.15 3 PLC ±0.15 4 PLC ±0.15 ANGLES ±°						DWN S. EKKER 08OCT98 CHK R. SMITH 08OCT98 APVD R. SMITH 08OCT98 NAME PRODUCT SPEC 108-5280 APPLICATION SPEC WEIGHT 26.35 CUSTOMER DRAWING
MATERIAL FINISH SEE TABLE SEE TABLE						SIZE CAGE CODE DRAWING NO RESTRICTED TO A1 00779 C=638258 SCALE 2:1 SHEET 1 OF 2 REV B2

REVISIONS				
P.	LTN	DESCRIPTION	DATE	APP'D
-	SEE SHEET 11			



P.C. BOARD LAYOUT

THIS DRAWING IS A CONTROLLED DOCUMENT.		DWN S. EKKER 08OCT98	 TE Connectivity
DIMENSIONS: mm		CHK R. SMITH 08OCT98	
		APVD R. SMITH 08OCT98	NAME 040/070 CAP ASSEMBLY, 54 POSITION HORIZONTAL, WITH BOARDLOCKS
TOLERANCES UNLESS OTHERWISE SPECIFIED:		PRODUCT SPEC 108-5280	SIZE A1
0 PLC ±0.3 1 PLC ±0.3 2 PLC ±0.15 3 PLC ± 4 PLC ± ANGLES ±1°		APPLICATION SPEC	CAGE CODE DRAWING NO 00779 C=638258
MATERIAL SEE TABLE		FINISH SEE TABLE	WEIGHT 26.35
		CUSTOMER DRAWING	RESTRICTED TO -
		SCALE 2:1	SHEET 2 OF 2
			REV B2