



Is Now Part of



ON Semiconductor®

To learn more about ON Semiconductor, please visit our website at
www.onsemi.com

ON Semiconductor and the ON Semiconductor logo are trademarks of Semiconductor Components Industries, LLC dba ON Semiconductor or its subsidiaries in the United States and/or other countries. ON Semiconductor owns the rights to a number of patents, trademarks, copyrights, trade secrets, and other intellectual property. A listing of ON Semiconductor's product/patent coverage may be accessed at www.onsemi.com/site/pdf/Patent-Marking.pdf. ON Semiconductor reserves the right to make changes without further notice to any products herein. ON Semiconductor makes no warranty, representation or guarantee regarding the suitability of its products for any particular purpose, nor does ON Semiconductor assume any liability arising out of the application or use of any product or circuit, and specifically disclaims any and all liability, including without limitation special, consequential or incidental damages. Buyer is responsible for its products and applications using ON Semiconductor products, including compliance with all laws, regulations and safety requirements or standards, regardless of any support or applications information provided by ON Semiconductor. "Typical" parameters which may be provided in ON Semiconductor data sheets and/or specifications can and do vary in different applications and actual performance may vary over time. All operating parameters, including "Typicals" must be validated for each customer application by customer's technical experts. ON Semiconductor does not convey any license under its patent rights nor the rights of others. ON Semiconductor products are not designed, intended, or authorized for use as a critical component in life support systems or any FDA Class 3 medical devices or medical devices with a same or similar classification in a foreign jurisdiction or any devices intended for implantation in the human body. Should Buyer purchase or use ON Semiconductor products for any such unintended or unauthorized application, Buyer shall indemnify and hold ON Semiconductor and its officers, employees, subsidiaries, affiliates, and distributors harmless against all claims, costs, damages, and expenses, and reasonable attorney fees arising out of, directly or indirectly, any claim of personal injury or death associated with such unintended or unauthorized use, even if such claim alleges that ON Semiconductor was negligent regarding the design or manufacture of the part. ON Semiconductor is an Equal Opportunity/Affirmative Action Employer. This literature is subject to all applicable copyright laws and is not for resale in any manner.

FSQ0565RS/RQ

Green-Mode Fairchild Power Switch (FPS™) for Quasi-Resonant Operation - Low EMI and High Efficiency

Features

- Optimized for Quasi-Resonant Converters (QRC)
- Low EMI through Variable Frequency Control and AVS (Alternating Valley Switching)
- High-Efficiency through Minimum Voltage Switching
- Narrow Frequency Variation Range over Wide Load and Input Voltage Variation
- Advanced Burst-Mode Operation for Low Standby Power Consumption
- Simple Scheme for Sync Voltage Detection
- Pulse-by-Pulse Current Limit
- Various Protection Functions: Overload Protection (OLP), Over-Voltage Protection (OVP), Internal Thermal Shutdown (TSD) with Hysteresis, Output Short Protection (OSP)
- Under-Voltage Lockout (UVLO) with Hysteresis
- Internal Startup Circuit
- Internal High-Voltage Sense FET (650V)
- Built-in Soft-Start (17.5ms)

Applications

- Power Supply for LCD TV and Monitor, VCR, SVR, STB, and DVD & DVD Recorder
- Adapter

Related Resources

Visit: <http://www.fairchildsemi.com/apnotes/> for:

- *AN-4134: Design Guidelines for Offline Forward Converters Using Fairchild Power Switch (FPS™)*
- *AN-4137: Design Guidelines for Offline Flyback Converters Using Fairchild Power Switch (FPS™)*
- *AN-4140: Transformer Design Consideration for Offline Flyback Converters Using Fairchild Power Switch (FPS™)*
- *AN-4141: Troubleshooting and Design Tips for Fairchild Power Switch (FPS™) Flyback Applications*
- *AN-4145: Electromagnetic Compatibility for Power Converters*
- *AN-4147: Design Guidelines for RCD Snubber of Flyback Converters*
- *AN-4148: Audible Noise Reduction Techniques for Fairchild Power Switch (FPS™) Applications*
- *AN-4150: Design Guidelines for Flyback Converters Using FSQ-Series Fairchild Power Switch (FPS™)*

Description

A Quasi-Resonant Converter (QRC) generally shows lower EMI and higher power conversion efficiency than a conventional hard-switched converter with a fixed switching frequency. The FSQ-series is an integrated Pulse-Width Modulation (PWM) controller and SenseFET specifically designed for quasi-resonant operation and Alternating Valley Switching (AVS). The PWM controller includes an integrated fixed-frequency oscillator, Under-Voltage Lockout (UVLO), Leading-Edge Blanking (LEB), optimized gate driver, internal soft-start, temperature-compensated precise current sources for a loop compensation, and self-protection circuitry. Compared with a discrete MOSFET and PWM controller solution, the FSQ-series can reduce total cost, component count, size, and weight; while simultaneously increasing efficiency, productivity, and system reliability. This device provides a basic platform for cost-effective designs of quasi-resonant switching flyback converters.

Ordering Information

| Product Number | PKG. ⁽⁵⁾ | Operating Temp. | Current Limit | R _{DS(ON)} Max. | Maximum Output Power ⁽¹⁾ | | | | Replaces Devices |
|----------------|---------------------------|-----------------|---------------|--------------------------|--|---------------------------|------------------------|---------------------------|-------------------------|
| | | | | | 230V _{AC} ±15% ⁽²⁾ | | 85-265V _{AC} | | |
| | | | | | Adapter ⁽³⁾ | Open Frame ⁽⁴⁾ | Adapter ⁽³⁾ | Open Frame ⁽⁴⁾ | |
| FSQ0565RSWDTU | TO-220F-6L | -25 to +85°C | 2.25A | 2.2Ω | 70W | 80W | 41W | 60W | FSCM0565R FSDM0565RE |
| FSQ0565RQWDTU | | | 3.0A | | | | | | |
| FSQ0565RSLDTU | TO-220F-6L (L-Forming) | -25 to +85°C | 2.25A | 2.2Ω | 70W | 80W | 41W | 60W | FSCM0565R FSDM0565RE |
| FSQ0565RQLDTU | | | 3.0A | | | | | | |



For Fairchild's definition of Eco Status, please visit: http://www.fairchildsemi.com/company/green/rohs_green.html.

Notes:

1. The junction temperature can limit the maximum output power.
2. 230V_{AC} or 100/115V_{AC} with doubler.
3. Typical continuous power in a non-ventilated enclosed adapter measured at 50°C ambient temperature.
4. Maximum practical continuous power in an open-frame design at 50°C ambient.
5. Eco Status, RoHS

Application Diagram

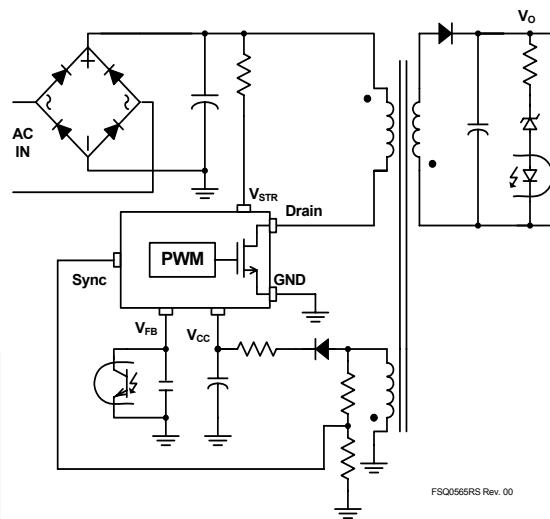


Figure 1. Typical Flyback Application

Block Diagrams

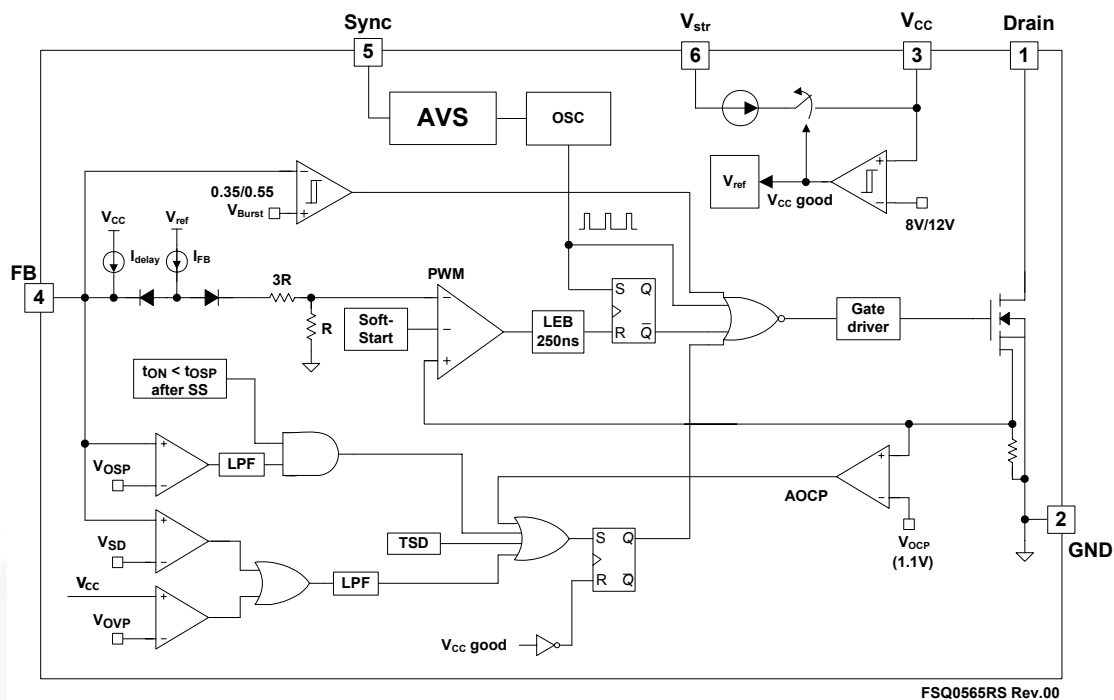


Figure 2. Internal Block Diagram of FSQ0565RS

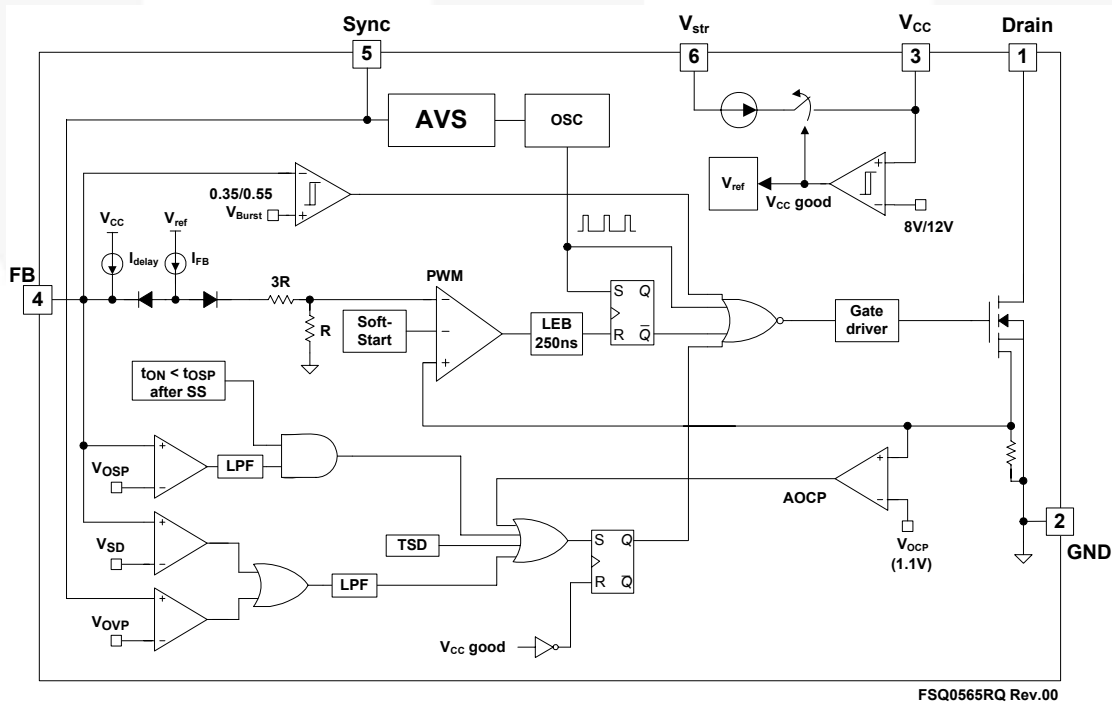


Figure 3. Internal Block Diagram of FSQ0565RQ

Pin Configuration

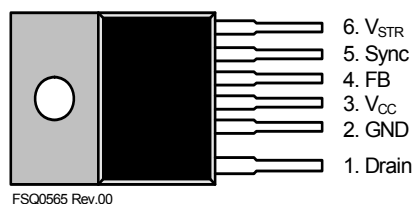


Figure 4. Pin Configuration (Top View)

Pin Definitions

| Pin # | Name | Description |
|-------|-----------|--|
| 1 | Drain | SenseFET Drain. High-voltage power SenseFET drain connection. |
| 2 | GND | Ground. This pin is the control ground and the SenseFET source. |
| 3 | V_{CC} | Power Supply. This pin is the positive supply input, providing internal operating current for both startup and steady-state operation. |
| 4 | FB | Feedback. This pin is internally connected to the inverting input of the PWM comparator. The collector of an opto-coupler is typically tied to this pin. For stable operation, a capacitor should be placed between this pin and GND. If the voltage of this pin reaches 6V, the overload protection triggers, which shuts down the FPS. |
| 5 | Sync | Sync. This pin is internally connected to the sync-detect comparator for quasi-resonant switching. In normal quasi-resonant operation, the threshold of the sync comparator is 1.2V/1.0V. |
| 6 | V_{str} | Startup. This pin is connected directly, or through a resistor, to the high-voltage DC link. At startup, the internal high-voltage current source supplies internal bias and charges the external capacitor connected to the V_{CC} pin. Once V_{CC} reaches 12V, the internal current source is disabled. It is not recommended to connect V_{str} and Drain together. |

Absolute Maximum Ratings

Stresses exceeding the absolute maximum ratings may damage the device. The device may not function or be operable above the recommended operating conditions and stressing the parts to these levels is not recommended. In addition, extended exposure to stresses above the recommended operating conditions may affect device reliability. The absolute maximum ratings are stress ratings only. $T_A = 25^\circ\text{C}$, unless otherwise specified.

| Symbol | Parameter | Min. | Max. | Unit | |
|------------|--|---------------------------|------|------------------|---|
| V_{str} | V_{str} Pin Voltage | 500 | | V | |
| V_{DS} | Drain Pin Voltage | 650 | | V | |
| V_{CC} | Supply Voltage | | 20 | V | |
| V_{FB} | Feedback Voltage Range | -0.3 | 13.0 | V | |
| V_{Sync} | Sync Pin Voltage | -0.3 | 13.0 | V | |
| I_{DM} | Drain Current Pulsed | | 11 | A | |
| I_D | Continuous Drain Current ⁽⁶⁾ | $T_C = 25^\circ\text{C}$ | | 2.8 | A |
| | | $T_C = 100^\circ\text{C}$ | | 1.7 | |
| E_{AS} | Single Pulsed Avalanche Energy ⁽⁷⁾ | | 190 | mJ | |
| P_D | Total Power Dissipation ($T_C=25^\circ\text{C}$) | | 45 | W | |
| T_J | Operating Junction Temperature | Internally limited | | $^\circ\text{C}$ | |
| T_A | Operating Ambient Temperature | -25 | +85 | $^\circ\text{C}$ | |
| T_{STG} | Storage Temperature | -55 | +150 | $^\circ\text{C}$ | |
| ESD | Electrostatic Discharge Capability, Human Body Model | 2.0 | | kV | |
| | Electrostatic Discharge Capability, Charged Device Model | 2.0 | | | |

Notes:

6. Repetitive rating; pulse-width limited by maximum junction temperature.

7. $L=14\text{mH}$, starting $T_J=25^\circ\text{C}$.

Thermal Impedance

$T_A = 25^\circ\text{C}$ unless otherwise specified.

| Symbol | Parameter | Package | Value | Unit |
|---------------|---|------------|-------|---------------------------|
| θ_{JA} | Junction-to-Ambient Thermal Resistance ⁽⁸⁾ | TO-220F-6L | 50 | $^\circ\text{C}/\text{W}$ |
| θ_{JC} | Junction-to-Case Thermal Resistance ⁽⁹⁾ | | 2.8 | $^\circ\text{C}/\text{W}$ |

Notes:

8. Free standing with no heat-sink under natural convection.

9. Infinite cooling condition - refer to the SEMI G30-88.

Electrical Characteristics

$T_A = 25^\circ\text{C}$ unless otherwise specified.

| Symbol | Parameter | Condition | Min. | Typ. | Max. | Unit | |
|---------------------------|--|--|---|---------|----------|----------|---------|
| SENSEFET SECTION | | | | | | | |
| BV_{DSS} | Drain Source Breakdown Voltage | $V_{CC} = 0V, I_D = 100\mu A$ | 650 | | | V | |
| I_{DSS} | Zero-Gate-Voltage Drain Current | $V_{DS} = 560V$ | | | 300 | μA | |
| $R_{DS(ON)}$ | Drain-Source On-State Resistance | $T_J = 25^\circ\text{C}, I_D = 0.5A$ | | 1.76 | 2.20 | Ω | |
| C_{OSS} | Output Capacitance | $V_{GS} = 0V, V_{DS} = 25V, f = 1MHz$ | | 78 | | pF | |
| $t_{d(on)}$ | Turn-On Delay Time | $V_{DD} = 350V, I_D = 25mA$ | | 22 | | ns | |
| t_r | Rise Time | $V_{DD} = 350V, I_D = 25mA$ | | 52 | | ns | |
| $t_{d(off)}$ | Turn-Off Delay Time | $V_{DD} = 350V, I_D = 25mA$ | | 95 | | ns | |
| t_f | Fall Time | $V_{DD} = 350V, I_D = 25mA$ | | 50 | | ns | |
| CONTROL SECTION | | | | | | | |
| $t_{ON,MAX}$ | Maximum On Time | $T_J = 25^\circ\text{C}$ | 8.8 | 10.0 | 11.2 | μs | |
| t_B | Blanking Time | $T_J = 25^\circ\text{C}, V_{sync} = 5V$ | 13.5 | 15.0 | 16.5 | μs | |
| t_W | Detection Time Window | $T_J = 25^\circ\text{C}, V_{sync} = 0V$ | | 6.0 | | μs | |
| f_S | Initial Switching Frequency | | 59.6 | 66.7 | 75.8 | kHz | |
| Δf_S | Switching Frequency Variation ⁽¹¹⁾ | $-25^\circ\text{C} < T_J < 85^\circ\text{C}$ | | ± 5 | ± 10 | % | |
| t_{AVS} | AVS Triggering Threshold ⁽¹¹⁾ | On Time | at $V_{IN} = 240V_{DC}, L_m = 360\mu H$ (AVS triggered when $V_{AVS} > \text{spec.}$ and $t_{AVS} < \text{spec.}$) | | 4.0 | μs | |
| V_{AVS} | | Feedback Voltage | | 1.2 | | V | |
| t_{SW} | Switching Time Variance by AVS ⁽¹¹⁾ | Sync = 500kHz sine input $V_{FB} = 1.2V, t_{ON} = 4.0\mu s$ | 13.5 | | 20.5 | μs | |
| I_{FB} | Feedback Source Current | $V_{FB} = 0V$ | 700 | 900 | 1100 | μA | |
| D_{MIN} | Minimum Duty Cycle | $V_{FB} = 0V$ | | | 0 | % | |
| V_{START} | UVLO Threshold Voltage | | 11 | 12 | 13 | V | |
| V_{STOP} | | After turn-on | 7 | 8 | 9 | V | |
| $t_{S/S}$ | Internal Soft-Start Time | With free-running frequency | | 17.5 | | ms | |
| V_{OVP} | Over-Voltage Protection (FSQ0565RS) | | 18 | 19 | 20 | V | |
| V_{OVP} | Over-Voltage Protection (FSQ0565RQ) | Threshold Voltage | $V_{CC} = 15V, V_{FB} = 2V$ | 7.4 | 8 | 9.6 | V |
| t_{OVP} | | Blanking Time ⁽¹¹⁾ | | 1.0 | 1.7 | 2.4 | μs |
| BURST-MODE SECTION | | | | | | | |
| V_{BURH} | Burst-Mode Voltages | $T_J = 25^\circ\text{C}, t_{PD} = 200ns^{(10)}$ | 0.45 | 0.55 | 0.65 | V | |
| V_{BURL} | | | 0.25 | 0.35 | 0.45 | V | |
| Hysteresis | | | | 200 | | mV | |

Continued on the following page...

Electrical Characteristics (Continued)

 $T_A = 25^\circ\text{C}$ unless otherwise specified.

| Symbol | Parameter | Condition | Min. | Typ. | Max. | Unit | |
|-----------------------------|--|---|--|------|------|------------------|---------------|
| PROTECTION SECTION | | | | | | | |
| I_{LIMIT} | Peak Current Limit | FSQ0565RS | $T_J = 25^\circ\text{C}$, $di/dt = 370\text{mA}/\mu\text{s}$ | 2.00 | 2.25 | 2.50 | A |
| I_{LIMIT} | | FSQ0565RQ | $T_J = 25^\circ\text{C}$, $di/dt = 370\text{mA}/\mu\text{s}$ | 2.64 | 3.0 | 3.36 | A |
| V_{SD} | Shutdown Feedback Voltage | $V_{CC} = 15\text{V}$ | 5.5 | 6.0 | 6.5 | V | |
| I_{DELAY} | Shutdown Delay Current | $V_{FB} = 5\text{V}$ | 4 | 5 | 6 | μA | |
| t_{LEB} | Leading-Edge Blanking Time ⁽¹¹⁾ | | | 250 | | ns | |
| t_{OSP} | Output Short Protection ⁽¹¹⁾ | Threshold Time | $T_J = 25^\circ\text{C}$ OSP triggered when $t_{ON} < t_{OSP}$, $V_{FB} > V_{OSP}$ and lasts longer than t_{OSP_FB} | | 1.2 | 1.4 | μs |
| V_{OSP} | | Threshold Feedback Voltage | | 1.8 | 2.0 | | V |
| t_{OSP_FB} | | Feedback Blanking Time | | 2.0 | 2.5 | 3.0 | μs |
| T_{SD} | Thermal Shutdown ⁽¹¹⁾ | Shutdown Temperature | 125 | 140 | 155 | $^\circ\text{C}$ | |
| Hys | | Hysteresis | | 60 | | | |
| SYNC SECTION | | | | | | | |
| V_{SH1} | Sync Threshold Voltage 1 | $V_{CC} = 15\text{V}$, $V_{FB} = 2\text{V}$ | 1.0 | 1.2 | 1.4 | V | |
| V_{SL1} | | | 0.8 | 1.0 | 1.2 | | |
| t_{sync} | Sync Delay Time ^(11, 12) | | | 230 | | ns | |
| V_{SH2} | Sync Threshold Voltage 2 | $V_{CC} = 15\text{V}$, $V_{FB} = 2\text{V}$ | 4.3 | 4.7 | 5.1 | V | |
| V_{SL2} | | | 4.0 | 4.4 | 4.8 | | |
| V_{CLAMP} | Low Clamp Voltage | $I_{SYNC_MAX} = 800\mu\text{A}$, $I_{SYNC_MIN} = 50\mu\text{A}$ | 0.0 | 0.4 | 0.8 | V | |
| TOTAL DEVICE SECTION | | | | | | | |
| I_{OP} | Operating Supply Current | $V_{CC} = 13\text{V}$ | 1 | 3 | 5 | mA | |
| I_{START} | Start Current | $V_{CC} = 10\text{V}$ (before V_{CC} reaches V_{START}) | 350 | 450 | 550 | μA | |
| I_{CH} | Startup Charging Current | $V_{CC} = 0\text{V}$, $V_{STR} = \text{minimum } 50\text{V}$ | 0.65 | 0.85 | 1.00 | mA | |
| V_{STR} | Minimum V_{STR} Supply Voltage | | | 26 | | V | |

Notes:

10. Propagation delay in the control IC.
11. Guaranteed by design; not tested in production.
12. Includes gate turn-on time.

Comparison Between FSDM0x65RNB and FSQ-Series

| Function | FSDM0x65RE | FSQ-Series | FSQ-Series Advantages |
|----------------------|--------------------------|--|---|
| Operation Method | Constant Frequency PWM | Quasi-Resonant Operation | <ul style="list-style-type: none"> ■ Improved efficiency by valley switching ■ Reduced EMI noise ■ Reduced components to detect valley point |
| EMI Reduction | Frequency Modulation | Reduced EMI Noise | <ul style="list-style-type: none"> ■ Valley Switching ■ Inherent Frequency Modulation ■ Alternate Valley Switching |
| Hybrid Control | | CCM or AVS Based on Load and Input Condition | <ul style="list-style-type: none"> ■ Improves efficiency by introducing hybrid control |
| Burst-Mode Operation | Burst-Mode Operation | Advanced Burst-Mode Operation | <ul style="list-style-type: none"> ■ Improved standby power by advanced burst-mode |
| Strong Protections | OLP, OVP | OLP, OVP, OSP | <ul style="list-style-type: none"> ■ Improved reliability through precise OSP |
| TSD | 145°C without Hysteresis | 140°C with 60°C Hysteresis | <ul style="list-style-type: none"> ■ Stable and reliable TSD operation ■ Converter temperature range |

Differences Between FSQ0565RS and FSQ0565RQ

| Function | FSQ0565RS | FSQ0565RQ | Remark |
|-------------------------|--|--------------------------------------|---|
| I_{LIM} | 2.25A | 3.0A | <ul style="list-style-type: none"> ■ Lower current peak is suitable to reduce conduction loss ■ Higher current peak is suitable for handling higher power |
| Over Voltage Protection | V_{CC} OVP (triggered by V_{CC} voltage) | Sync OVP (triggered by Sync voltage) | <ul style="list-style-type: none"> ■ Sync OVP is suitable when V_{CC} voltage is pre regulated. |

Typical Performance Characteristics

These characteristic graphs are normalized at $T_A = 25^\circ\text{C}$.

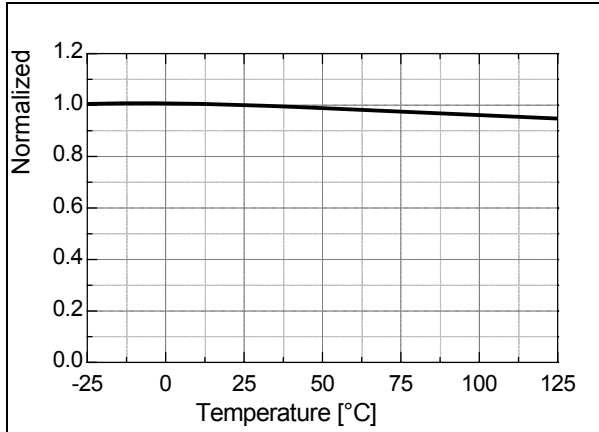


Figure 5. Operating Supply Current (I_{OP}) vs. T_A

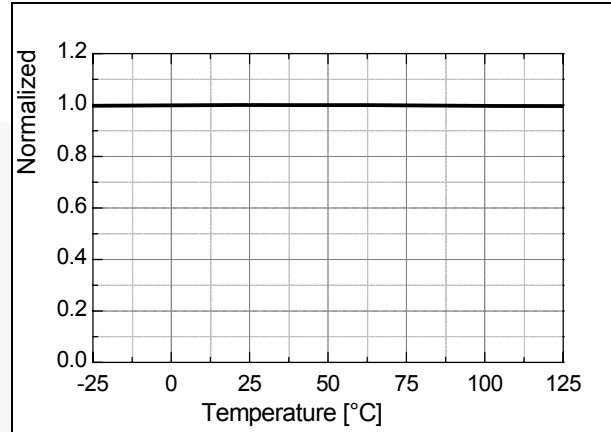


Figure 6. UVLO Start Threshold Voltage (V_{START}) vs. T_A

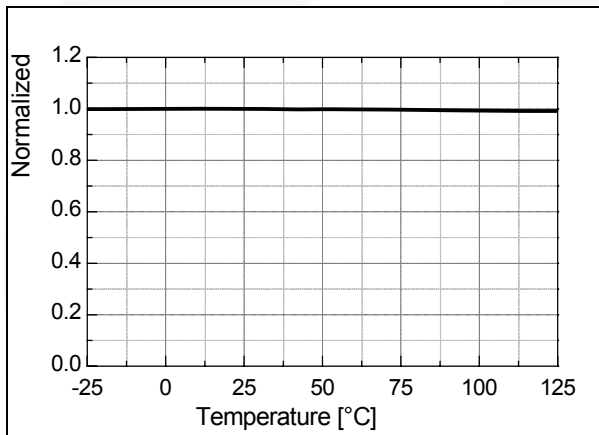


Figure 7. UVLO Stop Threshold Voltage (V_{STOP}) vs. T_A

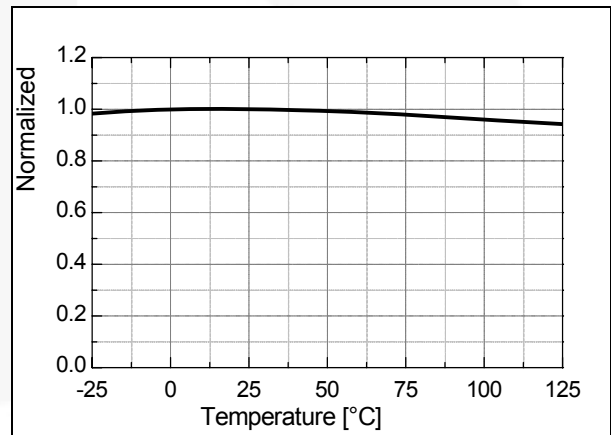


Figure 8. Startup Charging Current (I_{CH}) vs. T_A

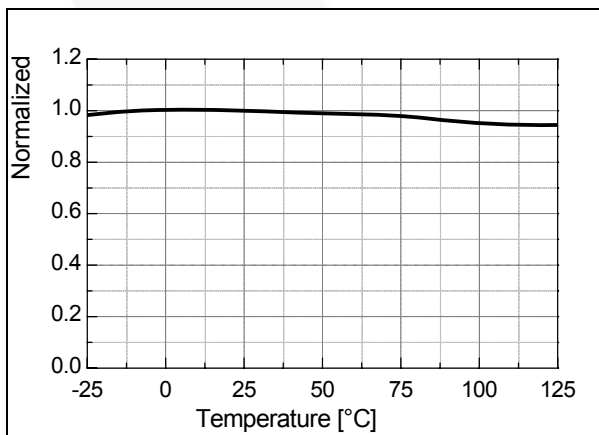


Figure 9. Initial Switching Frequency (f_S) vs. T_A

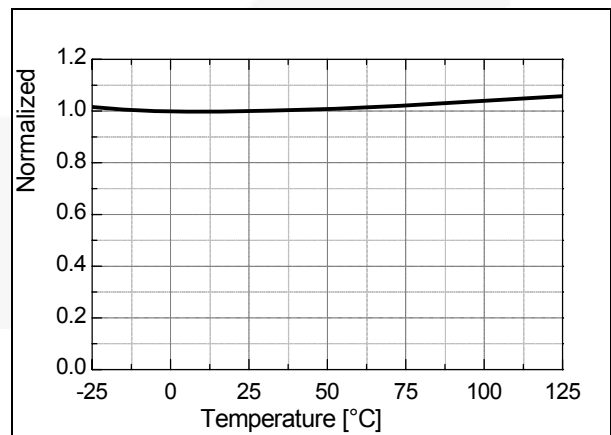


Figure 10. Maximum On Time ($t_{ON.MAX}$) vs. T_A

Typical Performance Characteristics (Continued)

These characteristic graphs are normalized at $T_A = 25^\circ\text{C}$.

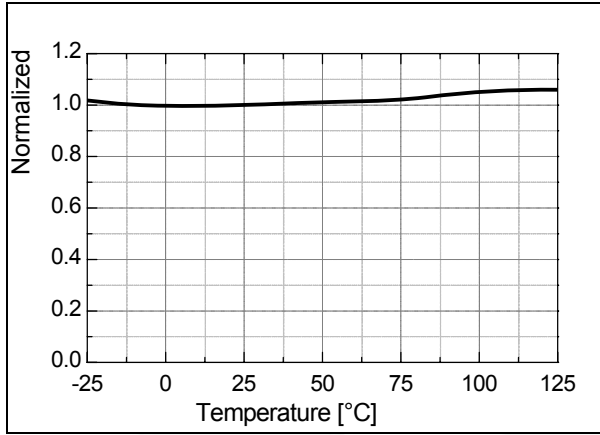


Figure 11. Blanking Time (t_B) vs. T_A

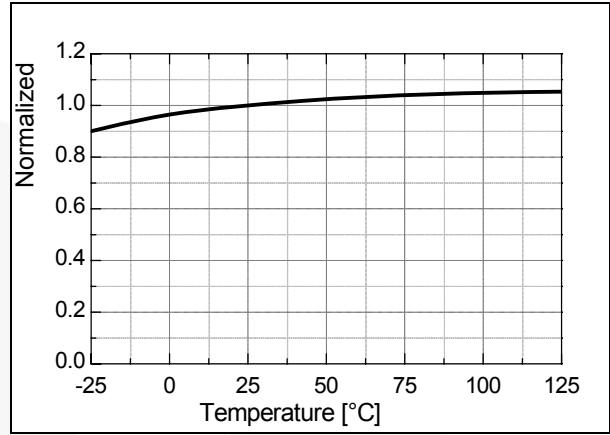


Figure 12. Feedback Source Current (I_{FB}) vs. T_A

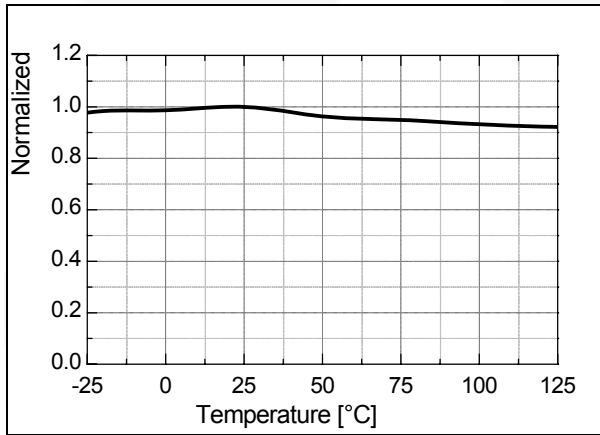


Figure 13. Shutdown Delay Current (I_{DELAY}) vs. T_A

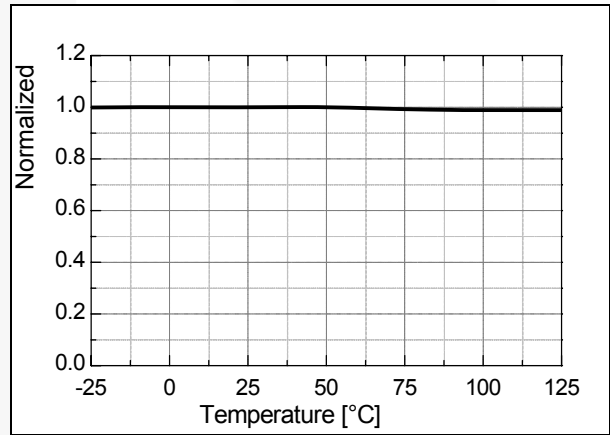


Figure 14. Burst-Mode High Threshold Voltage (V_{burh}) vs. T_A

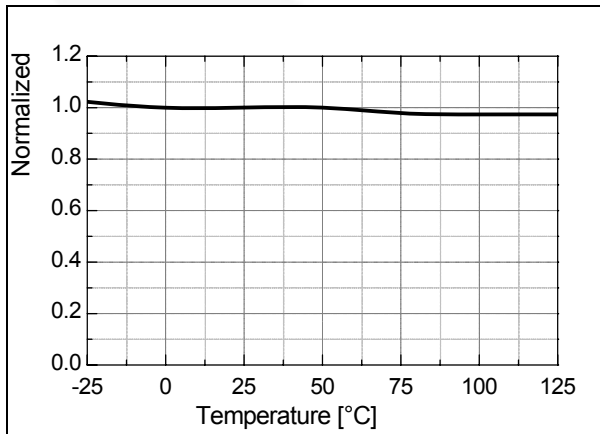


Figure 15. Burst-Mode Low Threshold Voltage (V_{burl}) vs. T_A

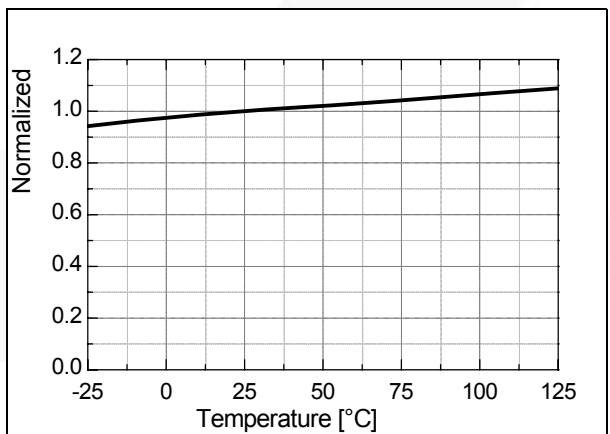


Figure 16. Peak Current Limit (I_{LIM}) vs. T_A

Typical Performance Characteristics (Continued)

These characteristic graphs are normalized at $T_A = 25^\circ\text{C}$.

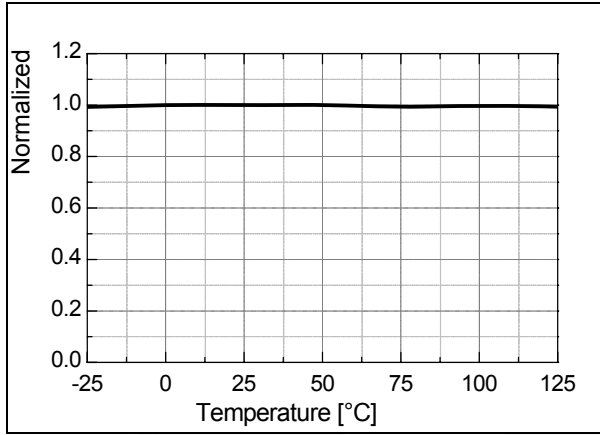


Figure 17. Sync High Threshold Voltage 1 (V_{SH1}) vs. T_A

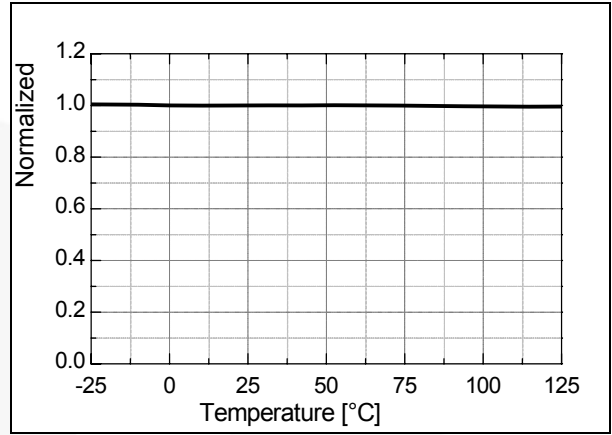


Figure 18. Sync Low Threshold Voltage 1 (V_{SL1}) vs. T_A

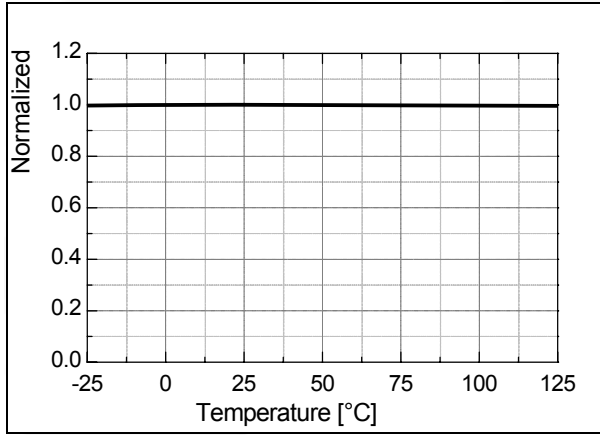


Figure 19. Shutdown Feedback Voltage (V_{SD}) vs. T_A

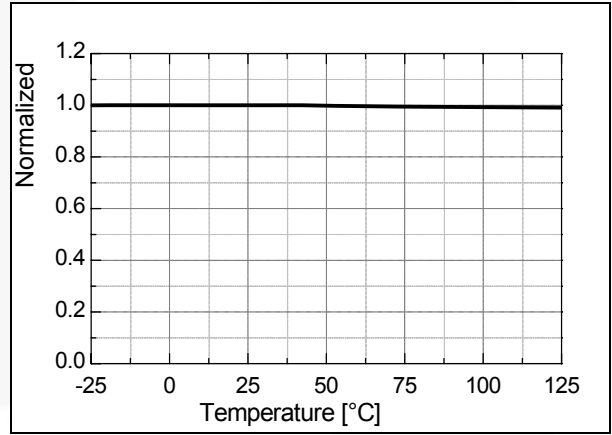


Figure 20. Over-Voltage Protection (V_{OV}) vs. T_A

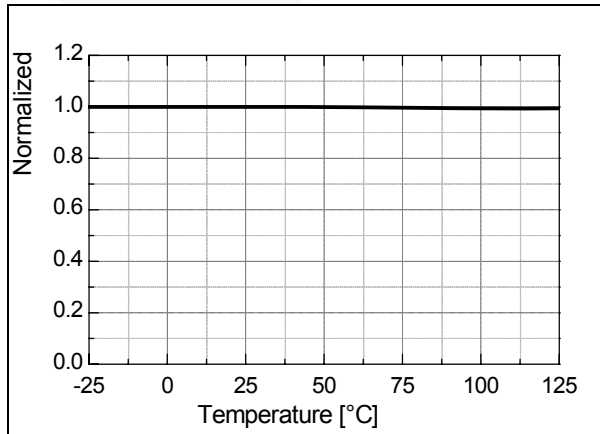


Figure 21. Sync High Threshold Voltage 2 (V_{SH2}) vs. T_A

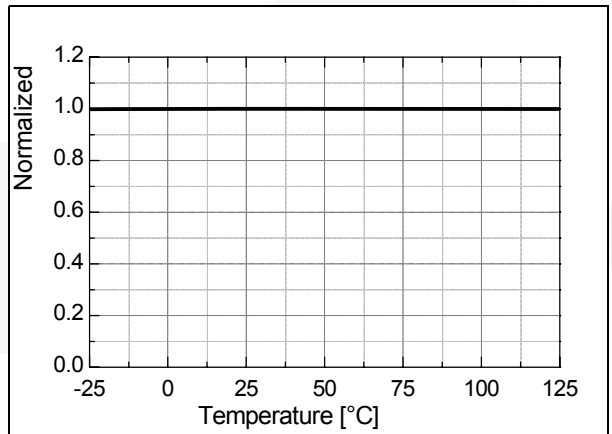


Figure 22. Sync Low Threshold Voltage 2 (V_{SL2}) vs. T_A

Functional Description

1. Startup: At startup, an internal high-voltage current source supplies the internal bias and charges the external capacitor (C_a) connected to the V_{CC} pin, as illustrated in Figure 23. When V_{CC} reaches 12V, the FPS™ begins switching and the internal high-voltage current source is disabled. The FPS™ continues its normal switching operation and the power is supplied from the auxiliary transformer winding unless V_{CC} goes below the stop voltage of 8V.

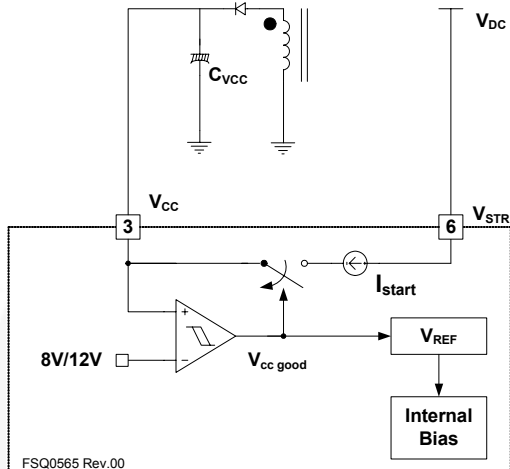


Figure 23. Startup Circuit

2. Feedback Control: FPS employs current-mode control, as shown in Figure 24. An opto-coupler (such as the FOD817A) and shunt regulator (such as the KA431) are typically used to implement the feedback network. Comparing the feedback voltage with the voltage across the R_{sense} resistor makes it possible to control the switching duty cycle. When the reference pin voltage of the shunt regulator exceeds the internal reference voltage of 2.5V, the opto-coupler LED current increases, pulling down the feedback voltage and reducing the duty cycle. This typically happens when the input voltage is increased or the output load is decreased.

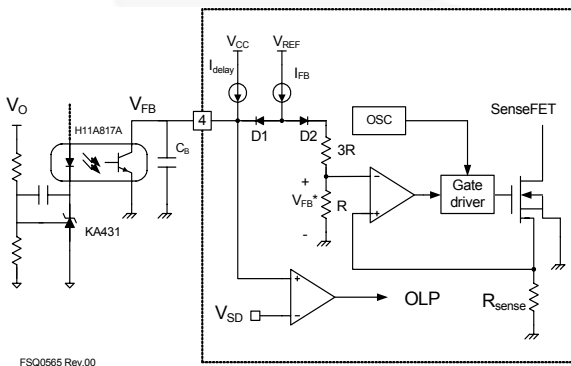


Figure 24. Pulse-Width-Modulation (PWM) Circuit

2.1 Pulse-by-Pulse Current Limit: Because current-mode control is employed, the peak current through the SenseFET is limited by the inverting input of PWM comparator (V_{FB}^*), as shown in Figure 24. Assuming that the 0.9mA current source flows only through the internal resistor ($3R + R = 2.8k$), the cathode voltage of diode D2 is about 2.5V. Since D1 is blocked when the feedback voltage (V_{FB}) exceeds 2.5V, the maximum voltage of the cathode of D2 is clamped at this voltage, clamping V_{FB}^* . Therefore, the peak value of the current through the SenseFET is limited.

2.2 Leading-Edge Blanking (LEB): At the instant the internal SenseFET is turned on, a high-current spike usually occurs through the SenseFET, caused by primary-side capacitance and secondary-side rectifier reverse recovery. Excessive voltage across the R_{sense} resistor would lead to incorrect feedback operation in the current-mode PWM control. To counter this effect, the FPS employs a leading-edge blanking (LEB) circuit. This circuit inhibits the PWM comparator for a short time (t_{LEB}) after the SenseFET is turned on.

3. Synchronization: The FSQ-series employs a quasi-resonant switching technique to minimize the switching noise and loss. The basic waveforms of the quasi-resonant converter are shown in Figure 25. To minimize the MOSFET's switching loss, the MOSFET should be turned on when the drain voltage reaches its minimum value, which is indirectly detected by monitoring the V_{CC} winding voltage, as shown in Figure 25.

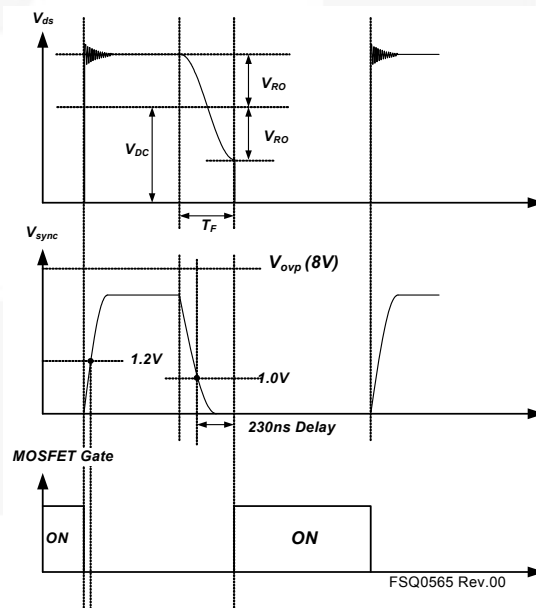


Figure 25. Quasi-Resonant Switching Waveforms

The switching frequency is the combination of blank time (t_B) and detection time window (t_W). In case of a heavy load, the sync voltage remains flat after t_B and waits for valley detection during t_W . This leads to a low switching frequency not suitable for heavy loads. To correct this drawback, additional timing is used. The timing conditions are described in Figures 26, 27, and 28. When the V_{sync} remains flat higher than 4.4V at the end of t_B , which is instant t_x , the next switching cycle starts after internal delay time from t_x . In the second case, the next switching occurs on the valley when the V_{sync} goes below 4.4V within t_B . Once V_{sync} detects the first valley in t_B , the other switching cycle follows classical QRC operation.

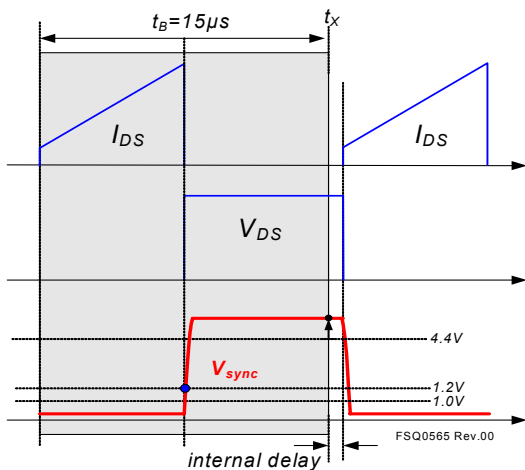


Figure 26. $V_{sync} > 4.4V$ at t_x

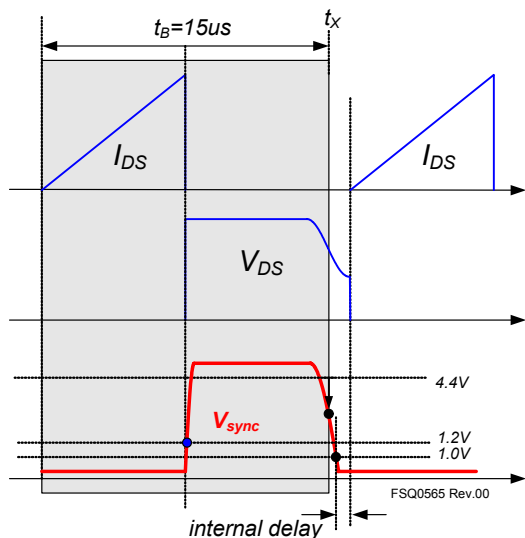


Figure 27. $V_{sync} < 4.4V$ at t_x

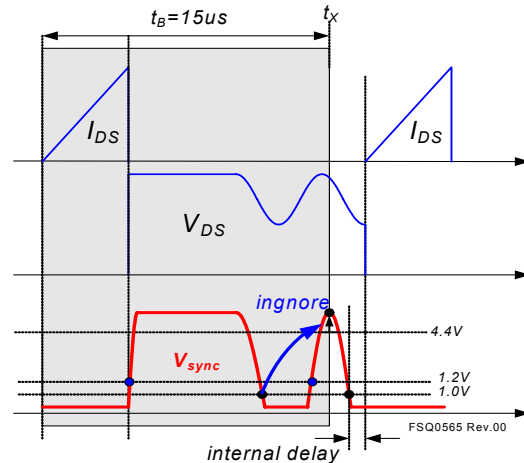


Figure 28. After V_{sync} Finds First Valley

4. Protection Circuits: The FSQ-series has several self-protective functions, such as Overload Protection (OLP), Over-Voltage Protection (OVP), and Thermal Shutdown (TSD). All the protections are implemented as auto-restart mode. Once the fault condition is detected, switching is terminated and the SenseFET remains off. This causes V_{CC} to fall. When V_{CC} falls down to the Under-Voltage Lockout (UVLO) stop voltage of 8V, the protection is reset and the startup circuit charges the V_{CC} capacitor. When the V_{CC} reaches the start voltage of 12V, normal operation resumes. If the fault condition is not removed, the SenseFET remains off and V_{CC} drops to stop voltage again. In this manner, the auto-restart can alternately enable and disable the switching of the power SenseFET until the fault condition is eliminated. Because these protection circuits are fully integrated into the IC without external components, reliability is improved without increasing cost.

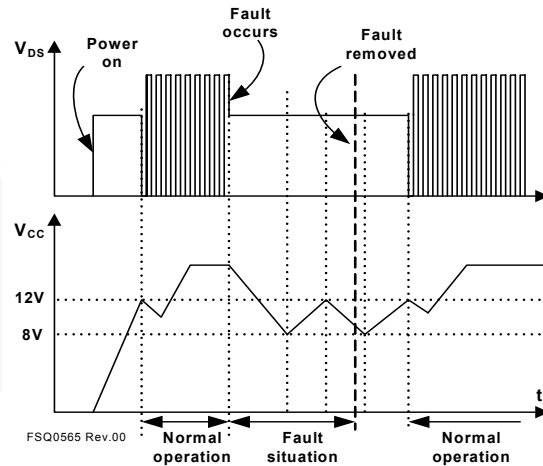


Figure 29. Auto Restart Protection Waveforms

4.1 Overload Protection (OLP): Overload is defined as the load current exceeding its normal level due to an unexpected abnormal event. In this situation, the protection circuit should trigger to protect the SMPS. However, even when the SMPS is in the normal operation, the overload protection circuit can be triggered during the load transition. To avoid this undesired operation, the overload protection circuit is designed to trigger only after a specified time to determine whether it is a transient situation or a true overload situation. Because of the pulse-by-pulse current limit capability, the maximum peak current through the SenseFET is limited, and therefore the maximum input power is restricted with a given input voltage. If the output consumes more than this maximum power, the output voltage (V_O) decreases below the set voltage. This reduces the current through the opto-coupler LED, which also reduces the opto-coupler transistor current, thus increasing the feedback voltage (V_{FB}). If V_{FB} exceeds 2.5V, D1 is blocked and the 5 μ A current source starts to charge C_B slowly up to V_{CC} . In this condition, V_{FB} continues increasing until it reaches 6V, when the switching operation is terminated, as shown in Figure 30. The delay time for shutdown is the time required to charge C_{FB} from 2.5V to 6V with 5 μ A. A 20 ~ 50ms delay time is typical for most applications.

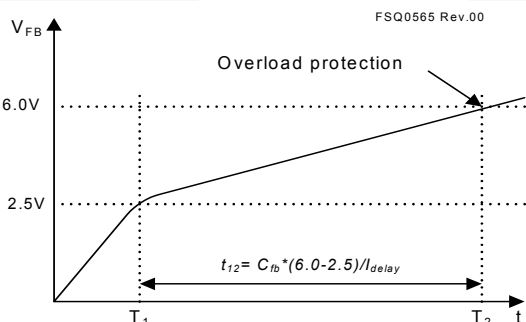


Figure 30. Overload Protection

4.2 Abnormal Over-Current Protection (AOCP): When the secondary rectifier diodes or the transformer pins are shorted, a steep current with extremely high di/dt can flow through the SenseFET during the LEB time. Even though the FSQ-series has overload protection, it is not enough to protect the FSQ-series in that abnormal case, since severe current stress is imposed on the SenseFET until OLP triggers. The FSQ-series has an internal AOCP circuit, shown in Figure 31. When the gate turn-on signal is applied to the power SenseFET, the AOCP block is enabled and monitors the current through the sensing resistor. The voltage across the resistor is compared with a preset AOCP level. If the sensing resistor voltage is greater than the AOCP level, the set signal is applied to the latch, resulting in the shutdown of the SMPS.

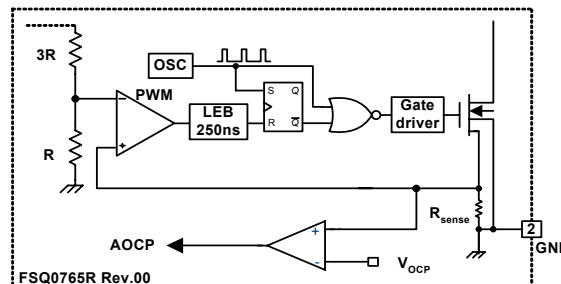


Figure 31. Abnormal Over-Current Protection

4.3 Output-Short Protection (OSP): If the output is shorted, steep current with extremely high di/dt can flow through the SenseFET during the LEB time. Such a steep current brings high voltage stress on the drain of SenseFET when turned off. To protect the device from such an abnormal condition, OSP is included in the FSQ-series. It is comprised of detecting V_{FB} and SenseFET turn-on time. When the V_{FB} is higher than 2V and the SenseFET turn-on time is lower than 1.2 μ s, the FPS recognizes this condition as an abnormal error and shuts down PWM switching until V_{CC} reaches V_{start} again. An abnormal condition output short is shown in Figure 32.

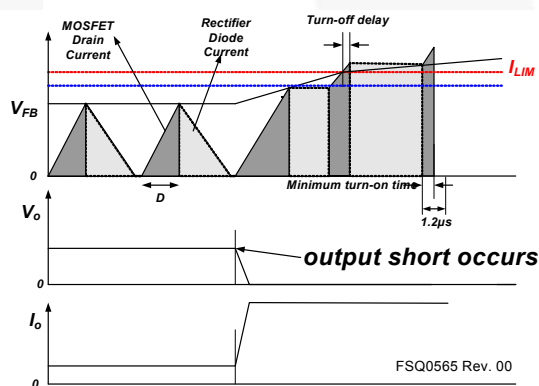


Figure 32. Output Short Waveforms

4.4.1 V_{CC} Over-Voltage Protection (OVP) of FSQ0565RS: If the secondary-side feedback circuit malfunctions or a solder defect causes an opening in the feedback path, the current through the opto-coupler transistor becomes almost zero. In this case, V_{fb} climbs up in a similar manner to the overload situation, forcing the preset maximum current to be supplied to the SMPS until overload protection is activated. Because more energy than required is provided to the output, the output voltage may exceed the rated voltage before overload protection is activated, resulting in the breakdown of the devices in the secondary side. To prevent this situation, an over-voltage protection (OVP) circuit is employed. In general, V_{CC} is proportional to the output voltage and the

FSQ-series uses V_{CC} instead of directly monitoring the output voltage. If V_{CC} exceeds 19V, an OVP circuit is activated, resulting in the termination of the switching operation. To avoid undesired activation of OVP during normal operation, V_{CC} should be designed below 19V.

4.4.2 Sync Over-Voltage Protection (OVP) of FSQ0565RQ:

If the secondary-side feedback circuit malfunctions or a solder defect causes an opening in the feedback path, the current through the opto-coupler transistor becomes almost zero. V_{FB} climbs up in a similar manner to the overload situation, forcing the preset maximum current to be supplied to the SMPS until the overload protection triggers. Because more energy than required is provided to the output, the output voltage may exceed the rated voltage before the overload protection triggers, resulting in the breakdown of the devices in the secondary side. To prevent this situation, an OVP circuit is employed. In general, the peak voltage of the sync signal is proportional to the output voltage and the FSQ-series uses a sync signal instead of directly monitoring the output voltage. If the sync signal exceeds 8V, an OVP is triggered, shutting down the SMPS. To avoid undesired triggering of OVP during normal operation, two points are considered, as depicted in Figure 33. The peak voltage of the sync signal should be designed below 6V and the spike of the SYNC pin must be as low as possible to avoid getting longer than t_{OVP} by decreasing the leakage inductance shown at V_{CC} winding coil.

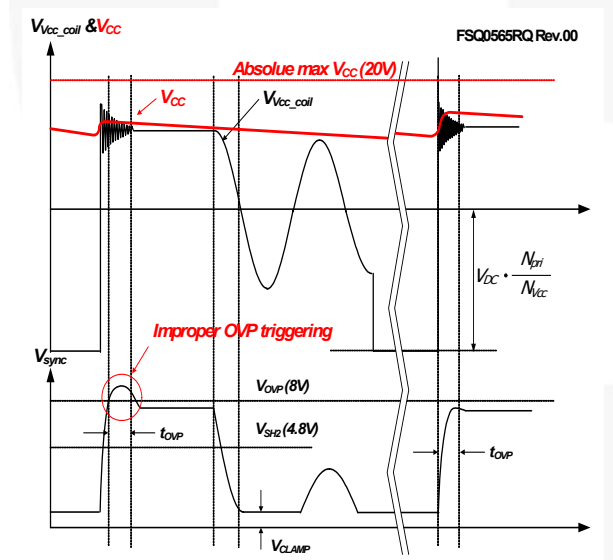


Figure 33. OVP Triggering of FSQ0565RQ

4.5 Thermal Shutdown with Hysteresis (TSD):

The SenseFET and the control IC are built in one package. This enables the control IC to detect the abnormally high temperature of the SenseFET. If the temperature

exceeds approximately 140°C, the thermal shutdown triggers IC shutdown. The IC resumes operation when the junction temperature decreases 60°C from TSD temperature and V_{CC} reaches startup voltage (V_{start}).

5. Soft-Start: The FPS has an internal soft-start circuit that increases PWM comparator inverting input voltage with the SenseFET current slowly after it starts. The typical soft-start time is 17.5ms. The pulse width to the power switching device is progressively increased to establish the correct working conditions for transformers, inductors, and capacitors. The voltage on the output capacitors is progressively increased with the intention of smoothly establishing the required output voltage. This mode helps prevent transformer saturation and reduces stress on the secondary diode during startup.

6. Burst Operation: To minimize power dissipation in standby mode, the FPS enters burst-mode operation. As the load decreases, the feedback voltage decreases. As shown in Figure 34, the device automatically enters burst-mode when the feedback voltage drops below V_{BURL} (350mV). At this point, switching stops and the output voltages start to drop at a rate dependent on standby current load. This causes the feedback voltage to rise. Once it passes V_{BURH} (550mV), switching resumes. The feedback voltage then falls and the process repeats. Burst-mode operation alternately enables and disables switching of the power SenseFET, thereby reducing switching loss in standby mode.

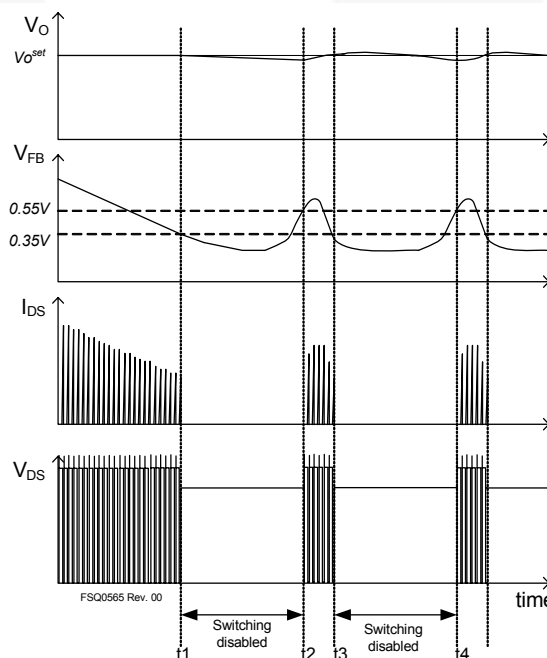


Figure 34. Waveforms of Burst Operation

7. Switching Frequency Limit: To minimize switching loss and Electromagnetic Interference (EMI), the MOSFET turns on when the drain voltage reaches its minimum value in quasi-resonant operation. However, this causes switching frequency to increase at light load conditions. As the load decreases or input voltage increases, the peak drain current diminishes and the switching frequency increases. This results in severe switching losses at light-load condition, as well as intermittent switching and audible noise. These problems create limitations for the quasi-resonant converter topology in a wide range of applications.

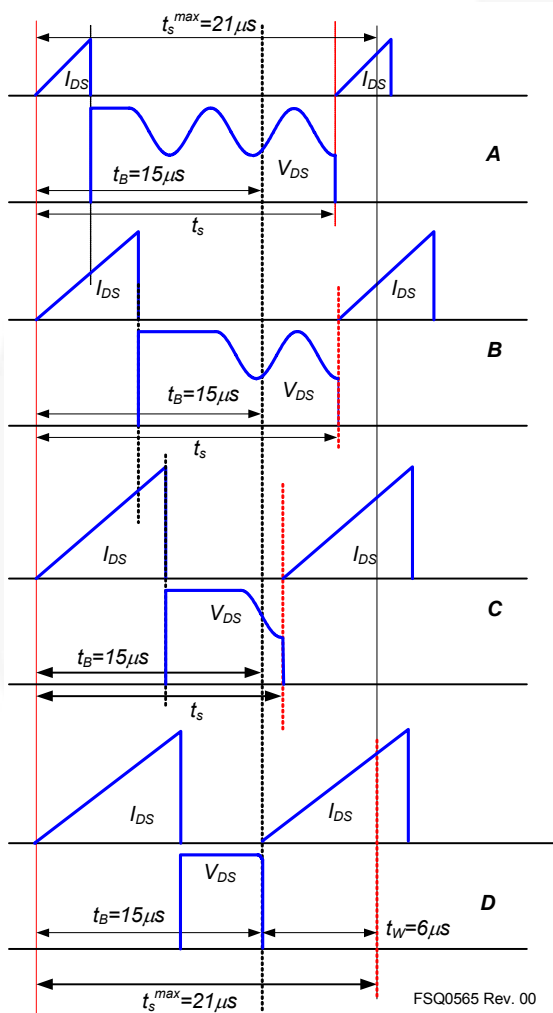


Figure 35. QRC Operation with Limited Frequency

To overcome these problems, FSQ-series employs a frequency-limit function, as shown in Figures 35 and 36. Once the SenseFET is turned on, the next turn-on is prohibited during the blanking time (t_B). After the blanking time, the controller finds the valley within the detection time window (t_W) and turns on the MOSFET, as shown in Figures 35 and Figure 36 (Cases A, B, and C). If no valley is found during t_W , the internal SenseFET is forced to turn on at the end of t_W (Case D). Therefore, the devices have a minimum switching frequency of 48kHz and a maximum switching frequency of 67kHz.

8. AVS (Alternating Valley Switching): Due to the quasi-resonant operation with limited frequency, the switching frequency varies depending on input voltage, load transition, and so on. At high input voltage, the switching on time is relatively small compared to low input voltage. The input voltage variance is small and the switching frequency modulation width becomes small. To improve the EMI performance, AVS is enabled when input voltage is high and the switching on time is small.

Internally, quasi-resonant operation is divided into two categories; one is first-valley switching and the other is second-valley switching after blanking time. In AVS, two successive occurrences of first-valley switching and the other two successive occurrences of second-valley switching is alternatively selected to maximize frequency modulation. As depicted in Figure 36, the switching frequency hops when the input voltage is high. The internal timing diagram of AVS is described in Figure 37.

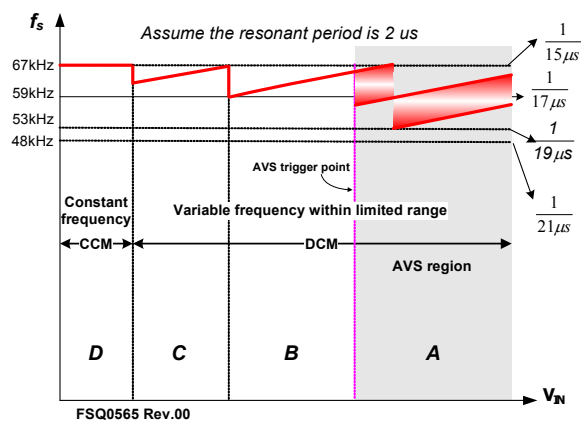
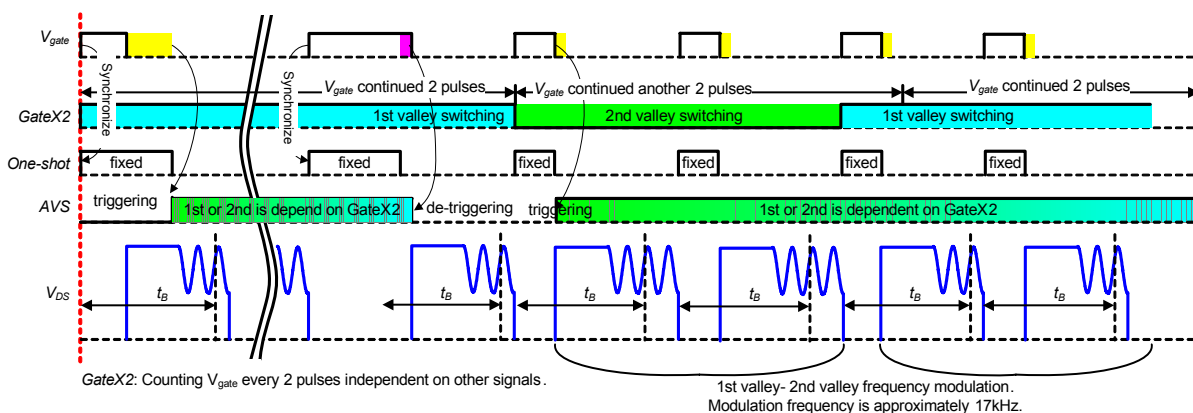


Figure 36. Switching Frequency Range



FSQ0565 Rev. 00

Figure 37. Alternating Valley Switching (AVS)

PCB Layout Guide

Due to the combined scheme, FPS shows better noise immunity than conventional PWM controller and MOSFET discrete solutions. Furthermore, internal drain current sense eliminates noise generation caused by a sensing resistor. There are some recommendations for PCB layout to enhance noise immunity and suppress the noise inevitable in power-handling components.

There are typically two grounds in the conventional SMPS: power ground and signal ground. The power ground is the ground for primary input voltage and power, while the signal ground is ground for PWM controller. In FPS, those two grounds share the same pin, GND. Normally the separate grounds do not share the same trace and meet only at one point, the GND pin. More, wider patterns for both grounds are good for large currents by decreasing resistance.

Capacitors at the V_{CC} and FB pins should be as close as possible to the corresponding pins to avoid noise from the switching device. Sometimes Mylar® or ceramic capacitors with electrolytic for V_{CC} is better for smooth operation. The ground of these capacitors needs to connect to the signal ground (not power ground).

The cathode of the snubber diode should be close to the Drain pin to minimize stray inductance. The Y-capacitor between primary and secondary should be directly connected to the power ground of DC link to maximize surge immunity.

Because the voltage range of feedback and sync line is small, it is affected by the noise of the drain pin. Those traces should not draw across or close to the drain line.

When the heat sink is connected to the ground, it should be connected to the power ground. If possible, avoid using jumper wires for power ground and drain.

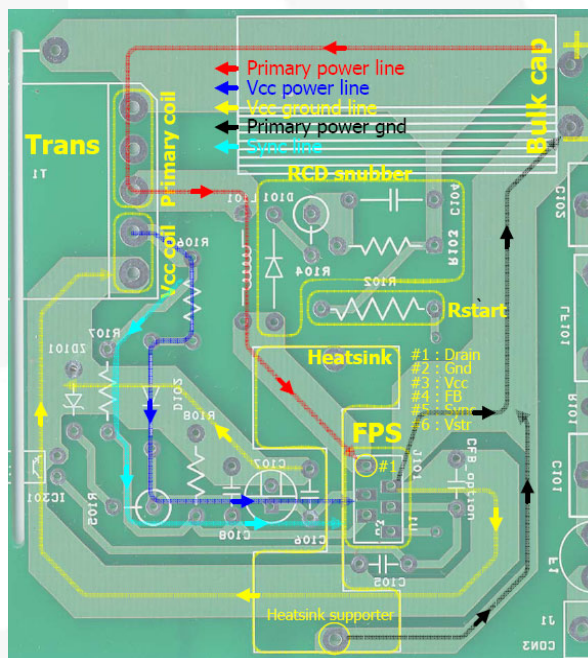


Figure 38. Recommended PCB Layout

Mylar® is a registered trademark of DuPont Teijin Films.

Typical Application Circuit

| Application | FPS™ Device | Input Voltage Range | Rated Output Power | Output Voltage (Maximum Current) |
|--------------------------|-------------|-----------------------|--------------------|----------------------------------|
| LCD Monitor Power Supply | FSQ0565RS | 85-265V _{AC} | 50W | 5.0V (2.0A) 14V (2.8A) |

Features

- Average efficiency of 25%, 50%, 75%, and 100% load conditions is higher than 80% at universal input
- Low standby mode power consumption (<1W at 230V_{AC} input and 0.5W load)
- Reduce EMI noise through valley switching operation
- Enhanced system reliability through various protection functions
- Internal soft-start (17.5ms)

Key Design Notes

- The delay time for overload protection is designed to be about 23ms with C105 of 33nF. If faster/slower triggering of OLP is required, C105 can be changed to a smaller/larger value (e.g. 100nF for 70ms).
- The input voltage of V_{Sync} must be between 4.7V and 8V just after MOSFET turn-off to guarantee hybrid control and to avoid OVP triggering during normal operation.
- The SMD-type 100nF capacitor must be placed as close as possible to V_{CC} pin to avoid malfunction by abrupt pulsating noises and to improve surge immunity.

1. Schematic

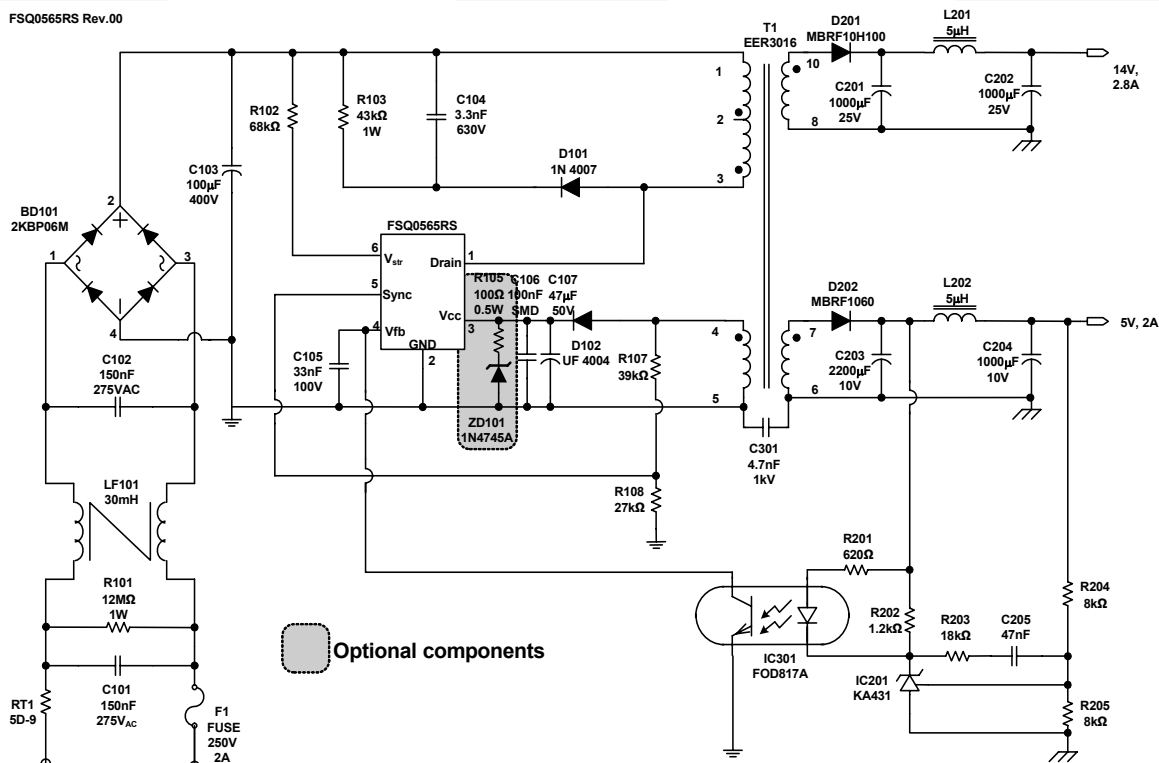


Figure 39. Demo Circuit of FSQ0565RS

2. Transformer

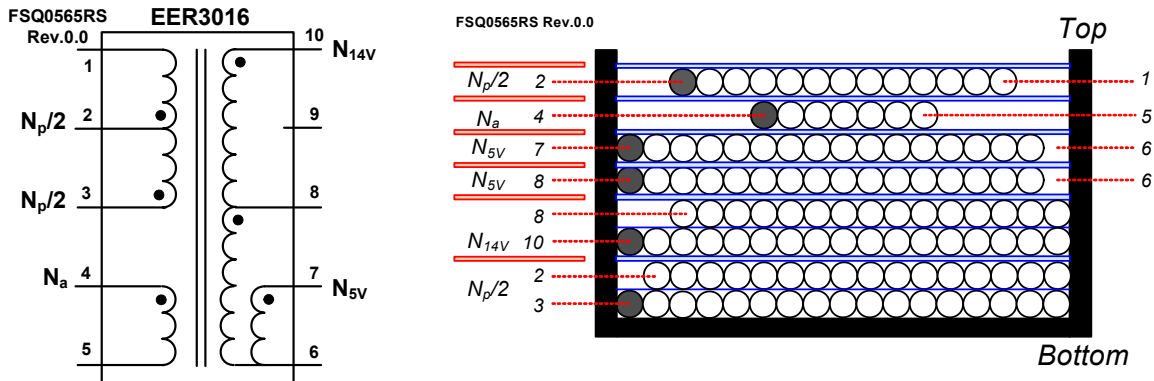


Figure 40. Transformer Schematic Diagram of FSQ0565RS

3. Winding Specification

| Position | No | Pin (s→f) | Wire | Turns | Winding Method |
|----------|--|-----------|--------------------------------|-------|----------------------------|
| Top | Insulation: Polyester Tape t = 0.025mm, 4 Layers | | | | |
| | $N_p/2$ | 2 → 1 | $0.4\phi \times 1$ | 10 | Center Solenoid Winding |
| | Insulation: Polyester Tape t = 0.025mm, 2 Layers | | | | |
| | N_a | 4 → 5 | $0.15\phi \times 1$ | 7 | Center Solenoid Winding |
| | Insulation: Polyester Tape t = 0.025mm, 2 Layers | | | | |
| | N_{5V} | 7 → 6 | $0.4\phi \times 3(\text{TIW})$ | 3 | Solenoid Winding |
| | Insulation: Polyester Tape t = 0.025mm, 2 Layers | | | | |
| | N_{5V} | 8 → 6 | $0.4\phi \times 3(\text{TIW})$ | 3 | Solenoid Winding |
| Bottom | Insulation: Polyester Tape t = 0.025mm, 2 Layers | | | | |
| | $N_{14V}/2$ | 10 → 8 | $0.4\phi \times 3(\text{TIW})$ | 5 | Solenoid Winding |
| | Insulation: Polyester Tape t = 0.025mm, 2 Layers | | | | |
| | $N_p/2$ | 3 → 2 | $0.4\phi \times 1$ | 32 | Two-Layer Solenoid Winding |

4. Electrical Characteristics

| | Pin | Specification | Remarks |
|------------|-------|---------------------------|----------------------|
| Inductance | 1 - 3 | $600\mu\text{H} \pm 10\%$ | 67kHz, 1V |
| Leakage | 1 - 3 | 15 μH Maximum | Short all other pins |

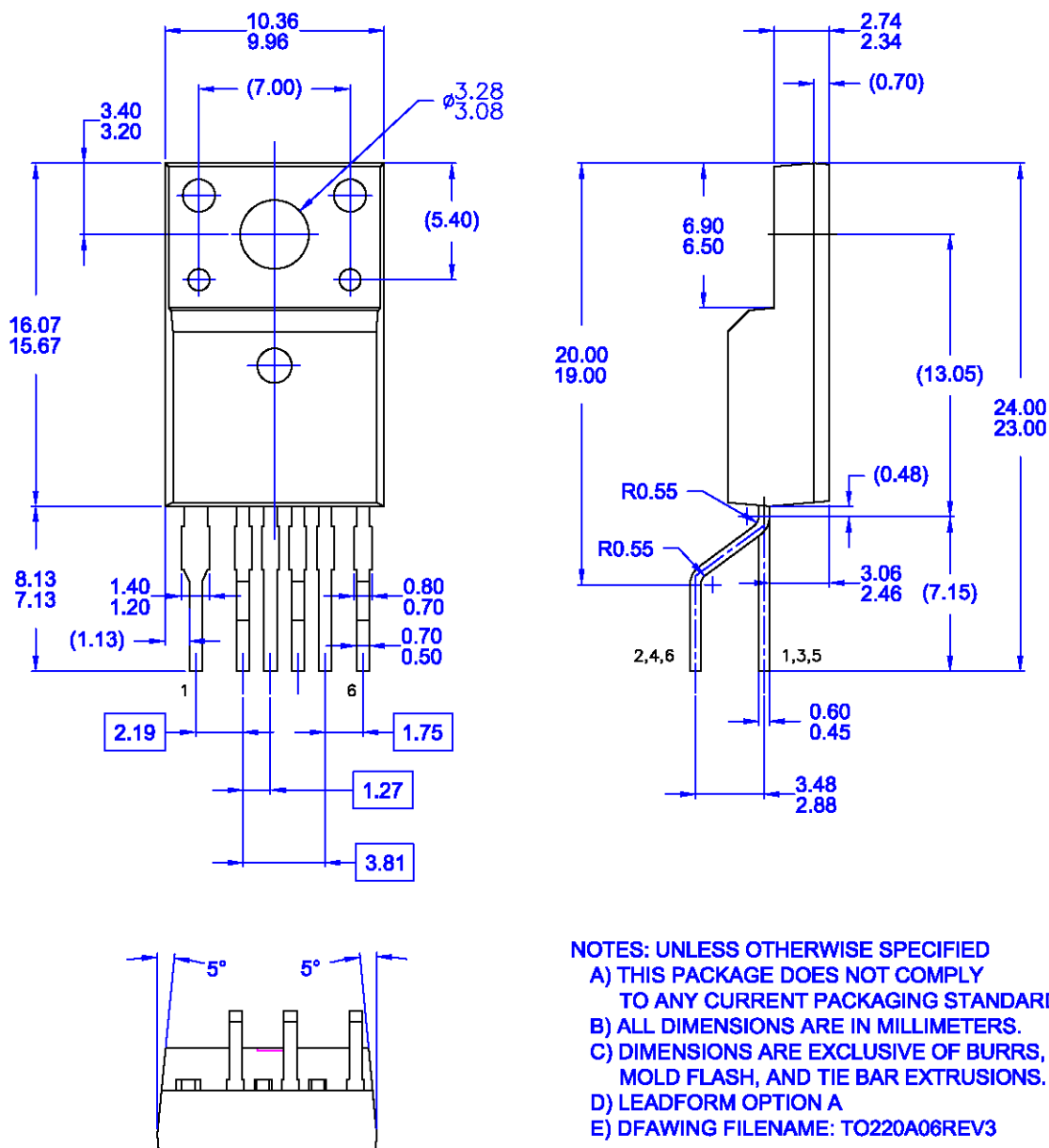
5. Core & Bobbin

- Core: EER3016 ($A_e=109.7\text{mm}^2$)
- Bobbin: EER3016

6. Demo Board Part List

| Part | Value | Note | Part | Value | Note |
|------------------|--------------------------|--|---------------------|---------------|-------------------------------|
| Resistor | | | C205 | 47nF/50V | Film (Sehwa) |
| R101 | 1MΩ | 1W | C301 | 4.7nF/1kV | Y-cap(Samwha) |
| R102 | 75kΩ | 1/2W | Inductor | | |
| R103 | 43kΩ | 1W | L201 | 5μH | 5A Rating |
| R104 | 0Ω | jumper | L202 | 5μH | 5A Rating |
| R105 | 100Ω | <i>optional</i> , 1/4W | Diode | | |
| R107 | 39kΩ | 1/4W, 1% | D101 | IN4007 | VISHAY |
| R108 | 27kΩ | 1/4W, 1% | D102 | UF4004 | VISHAY |
| R201 | 620Ω | 1/4W | ZD101 | 1N4745A | 1W 16V Zener Diode (optional) |
| R202 | 1.2kΩ | 1/4W | D201 | MBRF10H100 | 10A,100V Schottky Rectifier |
| R203 | 18kΩ | 1/4W, 1% | D202 | MBRF1060 | 10A,60V Schottky Rectifier |
| R204 | 8kΩ | 1/4W, 1% | IC | | |
| R205 | 8kΩ | 1/4W, 1% | IC101 | FSQ0565RS | FPS™ |
| Capacitor | | | IC201 | KA431 (TL431) | Voltage Reference |
| C101 | 150nF/275V _{AC} | Box Capacitor(PILKOR) | IC202 | FOD817A | Opto-Coupler |
| C102 | 150nF/275V _{AC} | Box Capacitor(PILKOR) | Fuse | | |
| C103 | 100μF/400V | Electrolytic (Samwha) | Fuse | 2A/250V | |
| C104 | 3.3nF/630V | Film (Sehwa) | NTC | | |
| C105 | 33nF/50V | Film (Sehwa) | RT101 | 5D-9 | |
| C106 | 100nF/50V | Mono (PILKOR) | Bridge Diode | | |
| C107 | 47μF/50V | Electrolytic (Samyoung) | BD101 | 2KBP06M | Bridge Diode |
| C201 | 1000μF/25V | Low-ESR Electrolytic Capacitor(Samwha) | Line Filter | | |
| C202 | 1000μF/25V | Low-ESR Electrolytic Capacitor(Samwha) | LF101 | 30mH | |
| C203 | 2200μF/10V | Low-ESR Electrolytic Capacitor(Samwha) | Transformer | | |
| C204 | 1000μF/10V | Low-ESR Electrolytic Capacitor(Samwha) | T1 | EER3016 | Ae=109.7mm ² |

Package Dimensions



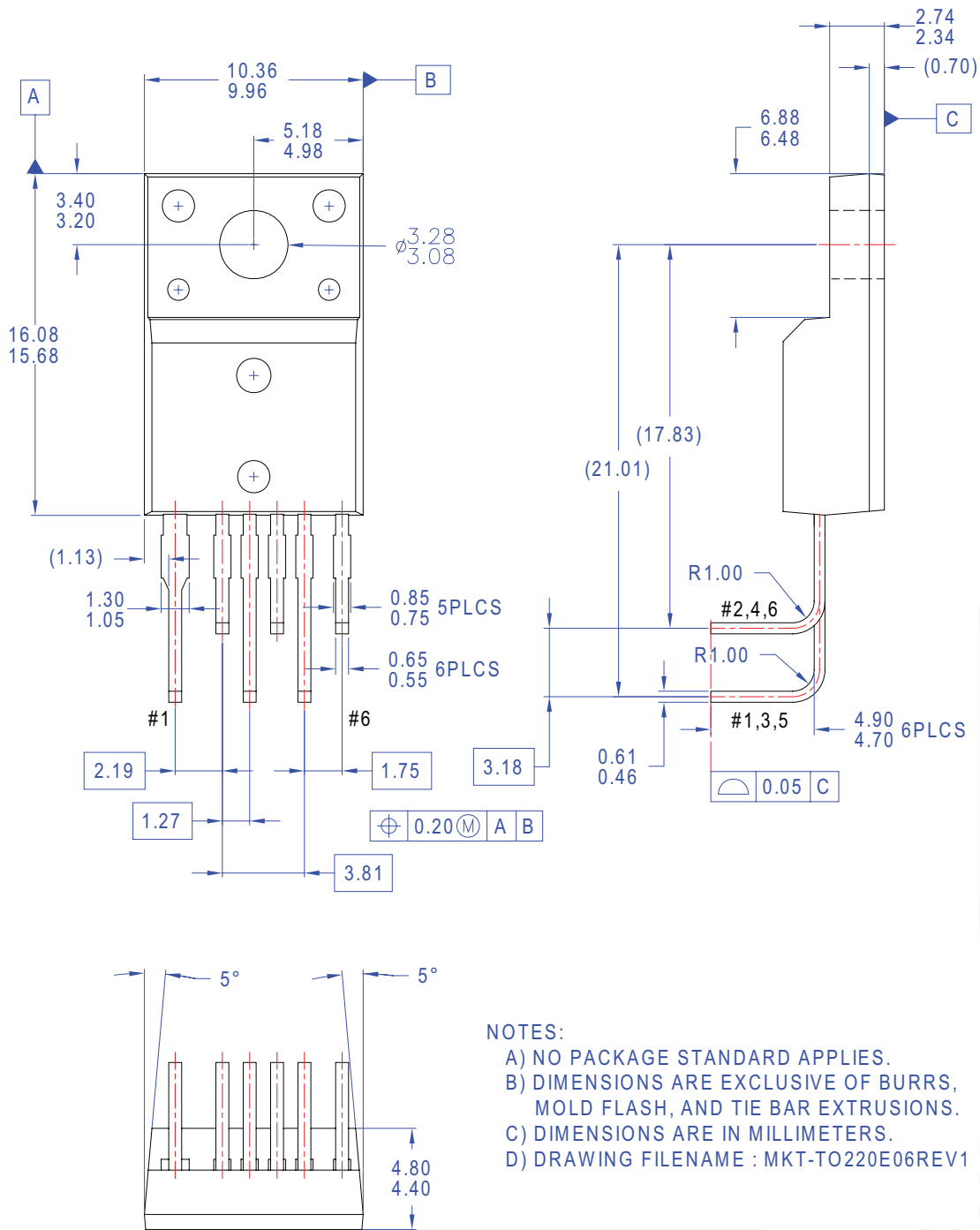
- NOTES: UNLESS OTHERWISE SPECIFIED**
- A) THIS PACKAGE DOES NOT COMPLY TO ANY CURRENT PACKAGING STANDARD.
 - B) ALL DIMENSIONS ARE IN MILLIMETERS.
 - C) DIMENSIONS ARE EXCLUSIVE OF BURRS, MOLD FLASH, AND TIE BAR EXTRUSIONS.
 - D) LEADFORM OPTION A
 - E) DFAWING FILENAME: TO220A06REV3

Figure 41. 6-Lead, TO-220 Package (Forming)

Package drawings are provided as a service to customers considering Fairchild components. Drawings may change in any manner without notice. Please note the revision and/or date on the drawing and contact a Fairchild Semiconductor representative to verify or obtain the most recent revision. Package specifications do not expand the terms of Fairchild's worldwide terms and conditions, specifically the warranty therein, which covers Fairchild products.

Always visit Fairchild Semiconductor's online packaging area for the most recent package drawings:
<http://www.fairchildsemi.com/packaging/>.

Package Dimensions (Continued)



NOTES:

- A) NO PACKAGE STANDARD APPLIES.
- B) DIMENSIONS ARE EXCLUSIVE OF BURRS, MOLD FLASH, AND TIE BAR EXTRUSIONS.
- C) DIMENSIONS ARE IN MILLIMETERS.
- D) DRAWING FILENAME : MKT-TO220E06REV1

Figure 42. 6-Lead, TO-220 Package (L-Forming)

Package drawings are provided as a service to customers considering Fairchild components. Drawings may change in any manner without notice. Please note the revision and/or date on the drawing and contact a Fairchild Semiconductor representative to verify or obtain the most recent revision. Package specifications do not expand the terms of Fairchild's worldwide terms and conditions, specifically the warranty therein, which covers Fairchild products.

Always visit Fairchild Semiconductor's online packaging area for the most recent package drawings:

<http://www.fairchildsemi.com/packaging/>.



TRADEMARKS

The following includes registered and unregistered trademarks and service marks, owned by Fairchild Semiconductor and/or its global subsidiaries, and is not intended to be an exhaustive list of all such trademarks.

- | | | | |
|--------------------------------------|-------------------------------------|---------------------------------------|---|
| AccuPower | FlashWriter ^{®*} | Power-SPM | <p>SYSTEM^{®*} GENERAL The Power Franchise[®] the pwer franchise</p> <ul style="list-style-type: none"> TinyBoost TinyBuck TinyCalc TinyLogic[®] TINYOPTO TinyPower TinyPWM TinyWire TriFault Detect TRUECURRENT * αSerDes SerDes[®] UHC Ultra FRFET UniFET VCX VisualMax XS™ |
| Auto-SPM | FPS | PowerTrench [®] | |
| Build it Now | F-PFS | PowerXS™ | |
| CorePLUS | FRFET [®] | Programmable Active Droop | |
| CorePOWER | Global Power Resource SM | QFET [®] | |
| CROSSVOLT | Green FPS | QS | |
| CTL™ | Green FPS e-Series | Quiet Series | |
| Current Transfer Logic™ | Gmax™ | RapidConfigure | |
| DEUXPEED [®] | GTO | ™ | |
| EcoSPARK [®] | IntelliMAX | Saving our world, 1mW/W/kW at a time™ | |
| EfficientMax™ | ISOPLANAR | SignalWise™ | |
| EZSWITCH™* | MegaBuck™ | SmartMax™ | |
| ™ | MICROCOUPLER | SMART START | |
| ™ | MicroFET | SPM [®] | |
| Fairchild [®] | MicroPak | STEALTH™ | |
| Fairchild Semiconductor [®] | MillerDrive™ | SuperFET | |
| FACT Quiet Series™ | MotionMax™ | SuperSOT -3 | |
| FACT [®] | Motion-SPM™ | SuperSOT -6 | |
| FAST [®] | OPTOLOGIC [®] | SuperSOT -8 | |
| FastvCore | OPTOPLANAR [®] | SupreMOS™ | |
| FETBench | PDP SPM™ | SyncFET™ | |
| | | Sync-Lock™ | |

* Trademarks of System General Corporation, used under license by Fairchild Semiconductor.

DISCLAIMER

FAIRCHILD SEMICONDUCTOR RESERVES THE RIGHT TO MAKE CHANGES WITHOUT FURTHER NOTICE TO ANY PRODUCTS HEREIN TO IMPROVE RELIABILITY, FUNCTION, OR DESIGN. FAIRCHILD DOES NOT ASSUME ANY LIABILITY ARISING OUT OF THE APPLICATION OR USE OF ANY PRODUCT OR CIRCUIT DESCRIBED HEREIN; NEITHER DOES IT CONVEY ANY LICENSE UNDER ITS PATENT RIGHTS, NOR THE RIGHTS OF OTHERS. THESE SPECIFICATIONS DO NOT EXPAND THE TERMS OF FAIRCHILD'S WORLDWIDE TERMS AND CONDITIONS, SPECIFICALLY THE WARRANTY THEREIN, WHICH COVERS THESE PRODUCTS.

LIFE SUPPORT POLICY

FAIRCHILD'S PRODUCTS ARE NOT AUTHORIZED FOR USE AS CRITICAL COMPONENTS IN LIFE SUPPORT DEVICES OR SYSTEMS WITHOUT THE EXPRESS WRITTEN APPROVAL OF FAIRCHILD SEMICONDUCTOR CORPORATION.

As used herein:

1. Life support devices or systems are devices or systems which, (a) are intended for surgical implant into the body or (b) support or sustain life, and (c) whose failure to perform when properly used in accordance with instructions for use provided in the labeling, can be reasonably expected to result in a significant injury of the user.
2. A critical component in any component of a life support, device, or system whose failure to perform can be reasonably expected to cause the failure of the life support device or system, or to affect its safety or effectiveness.

ANTI-COUNTERFEITING POLICY

Fairchild Semiconductor Corporation's Anti-Counterfeiting Policy. Fairchild's Anti-Counterfeiting Policy is also stated on our external website, www.fairchildsemi.com, under Sales Support.

Counterfeiting of semiconductor parts is a growing problem in the industry. All manufacturers of semiconductor products are experiencing counterfeiting of their parts. Customers who inadvertently purchase counterfeit parts experience many problems such as loss of brand reputation, substandard performance, failed applications, and increased cost of production and manufacturing delays. Fairchild is taking strong measures to protect ourselves and our customers from the proliferation of counterfeit parts. Fairchild strongly encourages customers to purchase Fairchild parts either directly from Fairchild or from Authorized Fairchild Distributors who are listed by country on our web page cited above. Products customers buy either from Fairchild directly or from Authorized Fairchild Distributors are genuine parts, have full traceability, meet Fairchild's quality standards for handling and storage and provide access to Fairchild's full range of up-to-date technical and product information. Fairchild and our Authorized Distributors will stand behind all warranties and will appropriately address any warranty issues that may arise. Fairchild will not provide any warranty coverage or other assistance for parts bought from Unauthorized Sources. Fairchild is committed to combat this global problem and encourage our customers to do their part in stopping this practice by buying direct or from authorized distributors.

PRODUCT STATUS DEFINITIONS

Definition of Terms

| Datasheet Identification | Product Status | Definition |
|--------------------------|-----------------------|---|
| Advance Information | Formative / In Design | Datasheet contains the design specifications for product development. Specifications may change in any manner without notice. |
| Preliminary | First Production | Datasheet contains preliminary data; supplementary data will be published at a later date. Fairchild Semiconductor reserves the right to make changes at any time without notice to improve design. |
| No Identification Needed | Full Production | Datasheet contains final specifications. Fairchild Semiconductor reserves the right to make changes at any time without notice to improve the design. |
| Obsolete | Not In Production | Datasheet contains specifications on a product that is discontinued by Fairchild Semiconductor. The datasheet is for reference information only. |

Rev. I44

ON Semiconductor and  are trademarks of Semiconductor Components Industries, LLC dba ON Semiconductor or its subsidiaries in the United States and/or other countries. ON Semiconductor owns the rights to a number of patents, trademarks, copyrights, trade secrets, and other intellectual property. A listing of ON Semiconductor's product/patent coverage may be accessed at www.onsemi.com/site/pdf/Patent-Marking.pdf. ON Semiconductor reserves the right to make changes without further notice to any products herein. ON Semiconductor makes no warranty, representation or guarantee regarding the suitability of its products for any particular purpose, nor does ON Semiconductor assume any liability arising out of the application or use of any product or circuit, and specifically disclaims any and all liability, including without limitation special, consequential or incidental damages. Buyer is responsible for its products and applications using ON Semiconductor products, including compliance with all laws, regulations and safety requirements or standards, regardless of any support or applications information provided by ON Semiconductor. "Typical" parameters which may be provided in ON Semiconductor data sheets and/or specifications can and do vary in different applications and actual performance may vary over time. All operating parameters, including "Typicals" must be validated for each customer application by customer's technical experts. ON Semiconductor does not convey any license under its patent rights nor the rights of others. ON Semiconductor products are not designed, intended, or authorized for use as a critical component in life support systems or any FDA Class 3 medical devices or medical devices with a same or similar classification in a foreign jurisdiction or any devices intended for implantation in the human body. Should Buyer purchase or use ON Semiconductor products for any such unintended or unauthorized application, Buyer shall indemnify and hold ON Semiconductor and its officers, employees, subsidiaries, affiliates, and distributors harmless against all claims, costs, damages, and expenses, and reasonable attorney fees arising out of, directly or indirectly, any claim of personal injury or death associated with such unintended or unauthorized use, even if such claim alleges that ON Semiconductor was negligent regarding the design or manufacture of the part. ON Semiconductor is an Equal Opportunity/Affirmative Action Employer. This literature is subject to all applicable copyright laws and is not for resale in any manner.

PUBLICATION ORDERING INFORMATION

LITERATURE FULFILLMENT:

Literature Distribution Center for ON Semiconductor
19521 E. 32nd Pkwy, Aurora, Colorado 80011 USA
Phone: 303-675-2175 or 800-344-3860 Toll Free USA/Canada
Fax: 303-675-2176 or 800-344-3867 Toll Free USA/Canada
Email: orderlit@onsemi.com

N. American Technical Support: 800-282-9855 Toll Free
USA/Canada
Europe, Middle East and Africa Technical Support:
Phone: 421 33 790 2910
Japan Customer Focus Center
Phone: 81-3-5817-1050

ON Semiconductor Website: www.onsemi.com
Order Literature: <http://www.onsemi.com/orderlit>
For additional information, please contact your local
Sales Representative