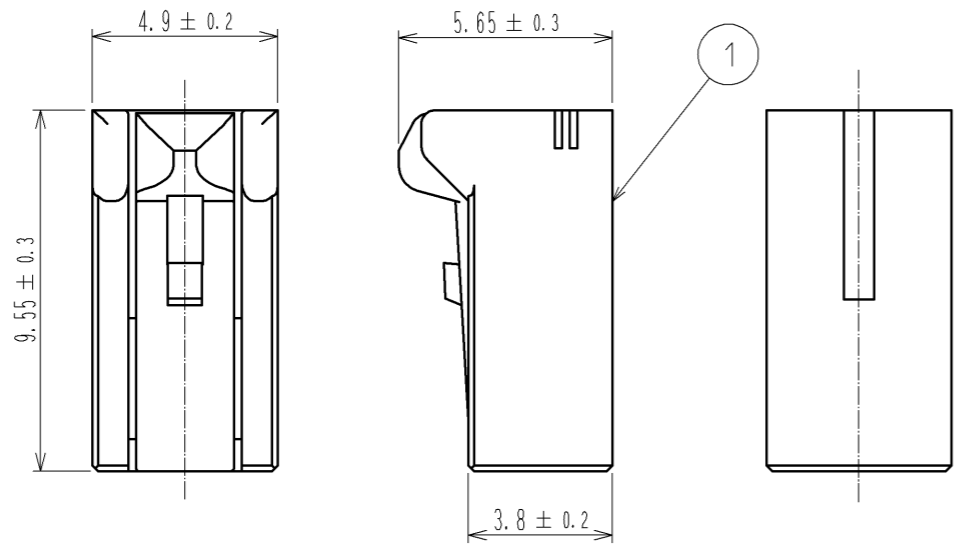
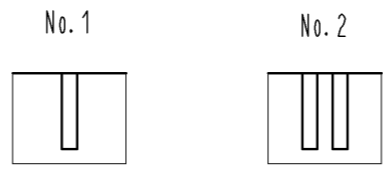
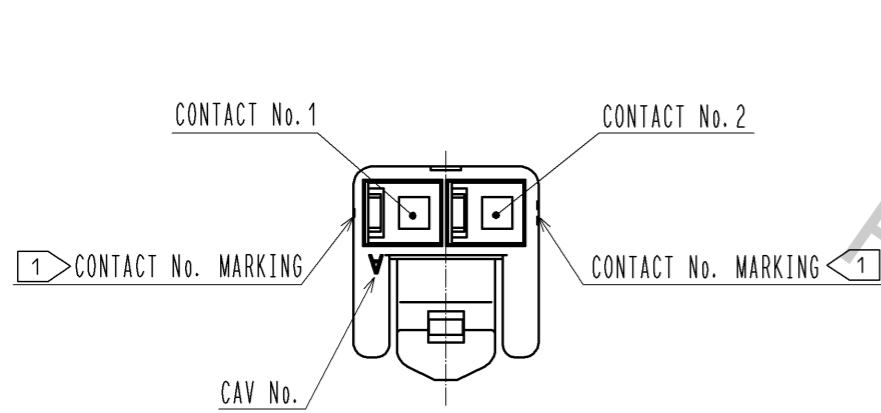
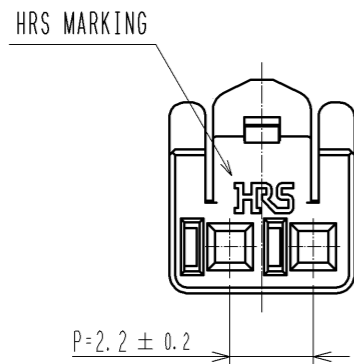
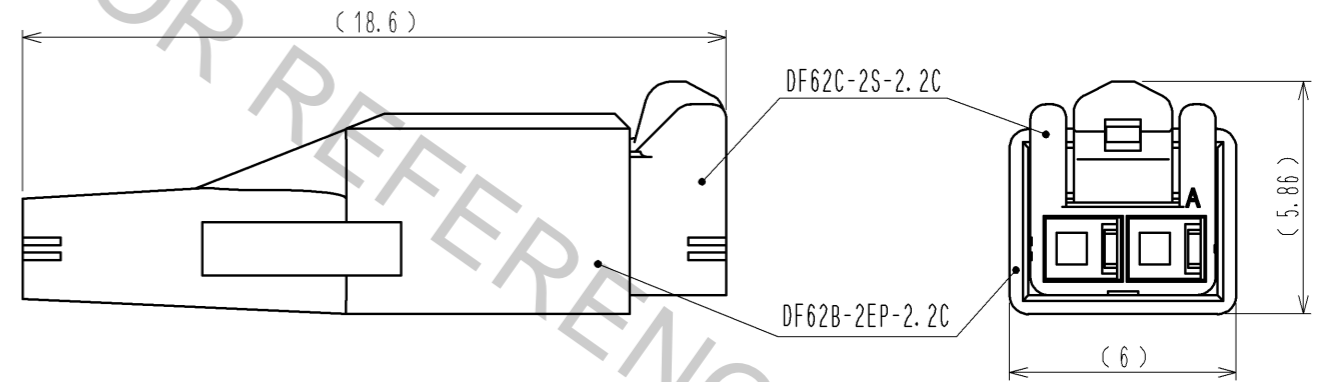


1 FIGURE-1 CONTACT No. MARKING (10:1)



MATING FIGURE



- NOTE. 1 MARKINGS AT THE INDICATED POSITIONS ARE CONTACT NO. MARKING. AND SHAPES ARE SHOWN IN FIGURE-1.  
 2. PER PACK : 100 PIECES.  
 3. THE DIMENSIONS IN PARENTHESIS ARE FOR REFERENCE.

NO.		MATERIAL		FINISH . REMARKS		1	PBT	UL94V-0 (WHITE)		
UNITS mm		SCALE 5 : 1		COUNT		DESCRIPTION OF REVISIONS		DESIGNED	CHECKED	DATE
HIROSE ELECTRIC CO., LTD.		APPROVED : KI. AKIYAMA		13.06.21		DRAWING NO.		EDC3-351970-00		
		CHECKED : MN. KENJO		13.06.21		PART NO.		DF62C-2S-2.2C		
		DESIGNED : TH. YOSHIKAWA		13.06.21		CODE NO.		CL544-0565-4-00		
		DRAWN : TH. YOSHIKAWA		13.06.21						